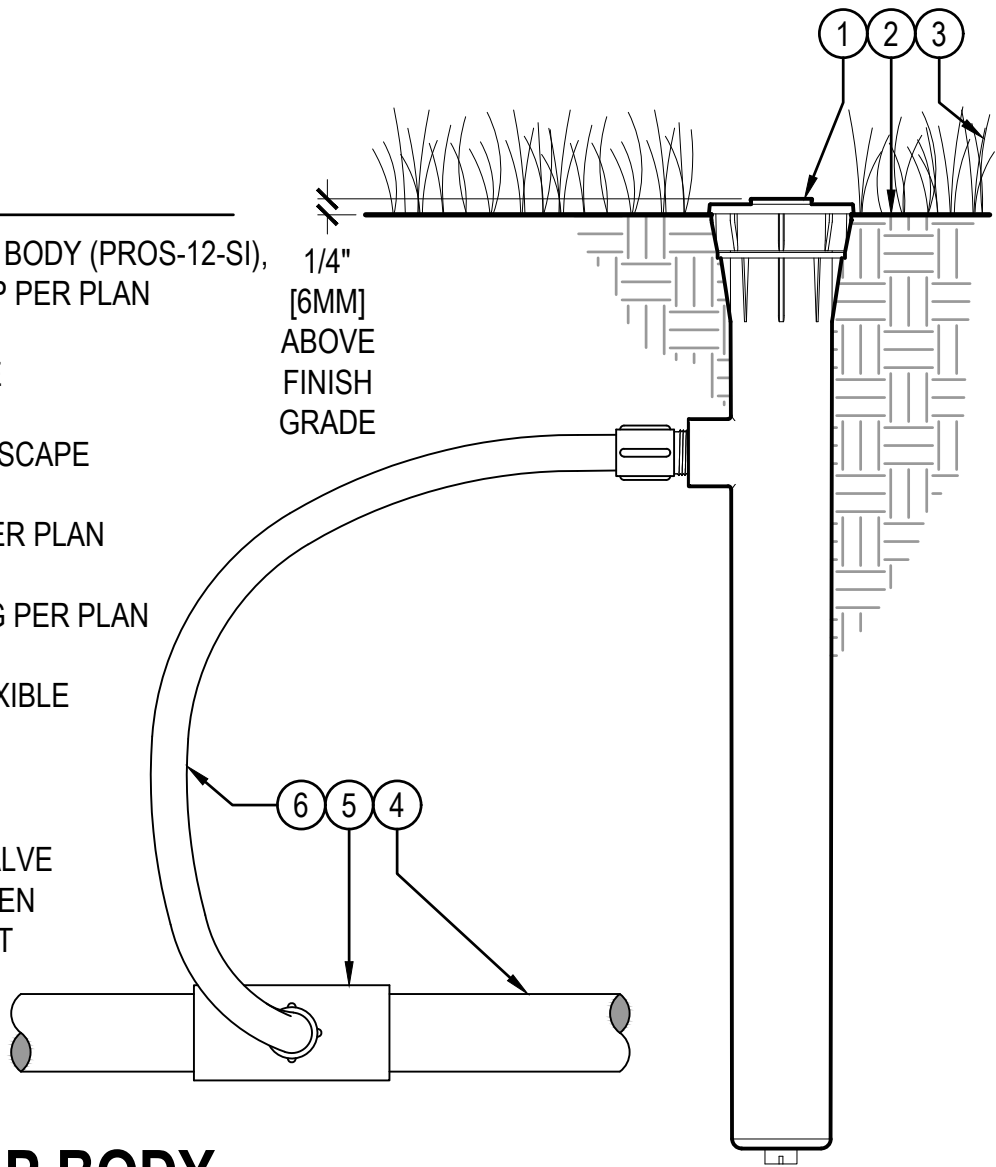


LEGEND

- ① HUNTER POP-UP BODY (PROS-12-SI), NOZZLE AND CAP PER PLAN
- ② FINISHED GRADE
- ③ ADJACENT LANDSCAPE
- ④ LATERAL PIPE PER PLAN
- ⑤ LATERAL FITTING PER PLAN
- ⑥ FIELD-BUILT FLEXIBLE SWING ARM

NOTE: CHECK VALVE
INOPERABLE WHEN
USING SIDE INLET



POP-UP BODY (PROS-12-SI) WITH FLEX TUBING

