

# Golf Replacement Parts List

GOLF IRRIGATION | Built on Innovation®



## TABLE OF CONTENTS

### **TTS-800 AND G-800 SERIES GOLF ROTORS ..... 3**

GT-800E/GT-800D/GT-800DD/GT-800C Body Assembly .....	3
G-800E/G-800D/G-800DD Body Assembly: Valve-in-Head (VIH).....	5
G-800C Body Assembly: Check-O-Matic Technology .....	6
G-885 Riser Assembly: Adjustable Arc Configuration .....	7
G-884 Riser Assembly: Adjustable Arc Configuration .....	9
G-880 Riser Assembly: Full-Circle Configuration.....	11
G-880 Riser Assembly: Full-Circle Configuration (Obsolete Model) .....	13
G-835 Riser Assembly: Adjustable Arc Configuration.....	14
G-875 Riser Assembly: Adjustable Arc Configuration.....	15
G-870 Riser Assembly: Full-Circle Configuration .....	16

### **B SERIES GOLF ROTORS..... 17**

G-80B/G-84B/G-85B Body Assembly: Block .....	17
G-85B Riser Assembly: Adjustable Arc Configuration .....	18
G-84B Riser Assembly: Adjustable Arc Configuration.....	20
G-80B Riser Assembly: Full-Circle Configuration.....	22
G-80B Riser Assembly: Full-Circle Configuration (Obsolete Model) .....	24
G-35B/G-70B/G-75B Body Assembly: Block .....	25
G-35B Riser Assembly: Full-Circle Configuration .....	26
G-75B Riser Assembly: Adjustable Arc Configuration.....	27
G-70B Riser Assembly: Full-Circle Configuration .....	28

### **G-900 SERIES GOLF ROTORS ..... 29**

G-900E/G-900D/G-900DD Body Assembly: Valve-in-Head .....	29
G-900C Body Assembly: Check-O-Matic Technology .....	30
G-995 Riser Assembly: Adjustable Arc Configuration .....	31
G-990 Riser Assembly: Full-Circle Configuration.....	32

### **MISCELLANEOUS .....33**

Tools and Accessories: Golf Rotors .....	33
G-900 Series Rubber Cover Kits.....	34
Hose Swivel Adapters .....	34

### **CONTROLLERS .....35**

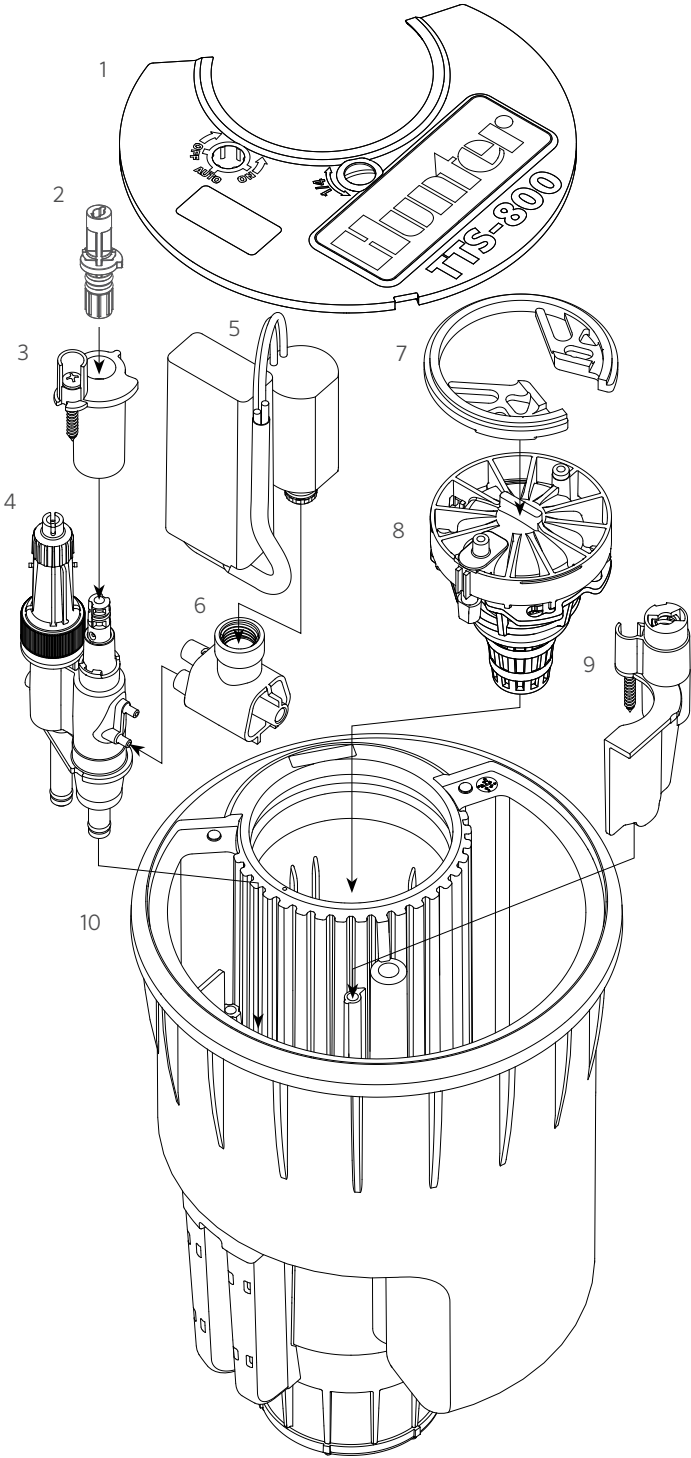
Pilot-FC Field Controller Parts.....	35
Pilot-DH Integrated Hub Parts .....	36
Communication Parts For Pilot-FC, -DH, and -FI .....	37
Conventional Controller Components (Obsolete Models).....	39
Decoder Controller Components (Obsolete Models) .....	41
ICD-HP Components .....	43

### **WARRANTY ..... 44**

**GT-800E/GT-800D/GT-800DD/GT-800C BODY ASSEMBLY**

ITEM	DESCRIPTION	MODEL
1	Lid assembly, switch, qty. 1	954400SP
	Lid assembly, Check-O-Matic (COM) Technology, qty. 1	954401SP
	Yardage marker, black, qty. 10	915700SP
	Yardage marker, red, qty. 10	915701SP
	Yardage marker, blue, qty. 10	915702SP
	Yardage marker, white, qty. 10	915703SP
	Yardage marker, purple, qty. 10	915704SP
2	Selector switch, gray, qty. 10	914600SP
	Selector switch, yellow, qty. 10	914601SP
	Selector switch, DIH GRND, qty. 10	914602SP
3	Selector switch bracket assembly (red), qty. 1	10009300SP
	Screw, 1/4" (30 mm), qty. 5	334001SP
4	Selector switch assembly, 50 PSI (3.4 bar; 340 kPa), qty. 1	929100SP
	Selector switch assembly, 65 PSI (4.9 bar; 490 kPa), qty. 1	929101SP
	Selector switch assembly, 80 PSI (5.5 bar; 550 kPa), qty. 1	929102SP
	Selector switch assembly, COM, qty. 1	10009000SP
	Pressure regulator, 50 PSI (3.4 bar; 340 kPa), qty. 1	934500SP
	Pressure regulator, 65 PSI (4.9 bar; 490 kPa), qty. 1	934501SP
	Pressure regulator, 80 PSI (5.5 bar; 550 kPa), qty. 1	934502SP
	Selector switch base filter, qty. 1	386605SP
	Manifold assembly, TTS, qty. 1	929300SP
5	Two-way module, 100, TTS, qty. 1	353601SP
	Two-way module, 200, TTS, qty. 1	686501SP
	Solenoid AC, qty. 1	606800
	Solenoid DC, qty. 1	458200
6	Solenoid base assembly, qty. 1	929600SP
7	Snap ring, lower, G-800, qty. 10	526800SP
8	Inlet valve, electric, (white screen) G-800, qty. 1	929700SP
	Inlet valve (black screen), COM, qty. 1	929701SP
	Rock Screen Kit (white), electric, qty. 1	10010300SP
	Rock Screen Kit (black), COM, qty. 1	10010301SP
	Valve filter screen, qty. 1	387400SP
	Velocity Control Disk Kit, qty. 1	10009400SP
9	Pilot valve bracket assembly (blue), qty. 1	10009200SP
	Screw, 1/4" (30 mm), qty. 5	334001SP
10	Body assembly, GT-800, qty. 1	10009100SP

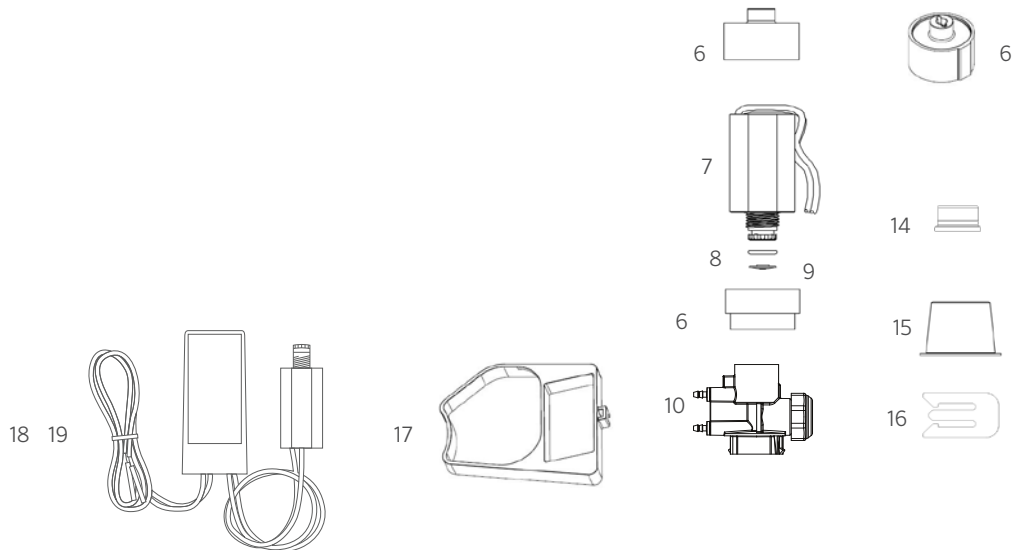
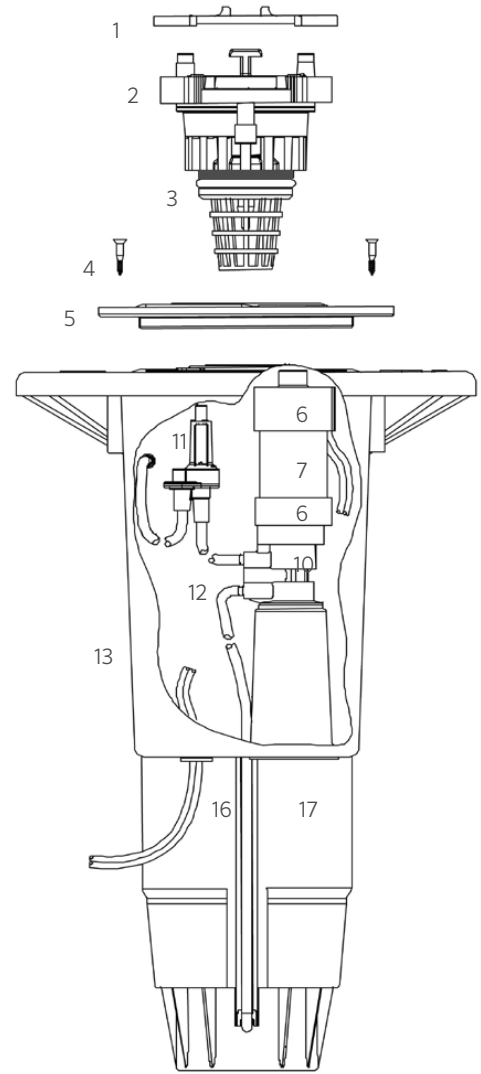
TTS-800 AND G-800 SERIES GOLF ROTORS



**G-800E/G-800D/G-800DD BODY ASSEMBLY:  
VALVE-IN-HEAD (VIH)**

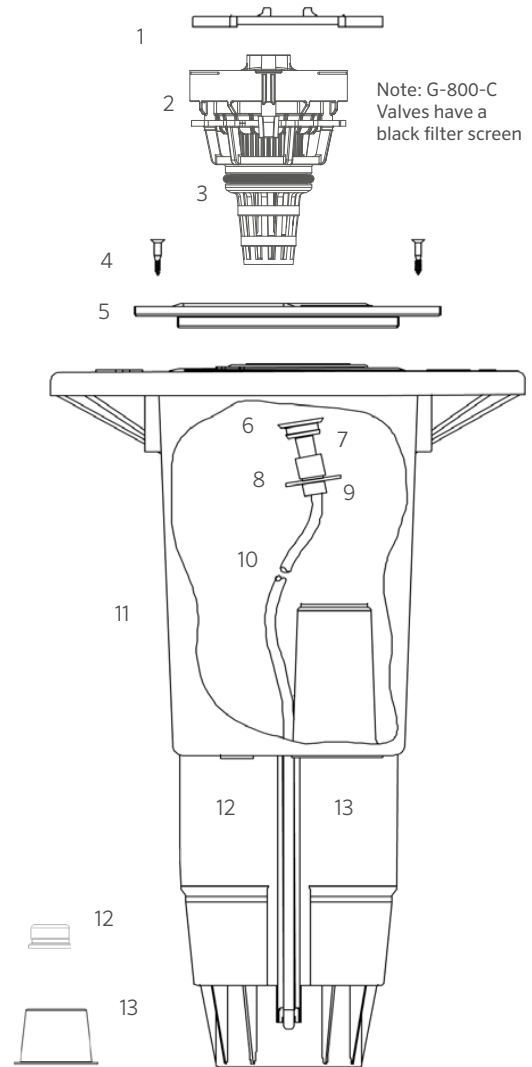
ITEM	DESCRIPTION	MODEL
1	Snap ring, lower G-800 (white), qty. 10	526800SP
2	Inlet valve, electric, G-800 (white screen), qty. 1	929700SP
3	O-ring - inlet valve to body seal	426300
4	Screw - flange lid retainer, qty. 10	351800SP
5	Lid - flange compartment - electric recessed yardage marker area	449420
	Lid - flange compartment - electric	449410
	Raised yardage marker area	449410
6	Selector cap and Detent Ring Kit (gray), qty. 5	461536SP
	Selector cap - Decoder-in-Head (DIH) (yellow)	454200
	Selector cap - DIH (green)	454201
7	Solenoid Kit - AC, qty. 1 (Includes items 6, 7, 8, and 9)	461537SP
8	O-ring - solenoid thread seal	262600
9	Seal - solenoid plunger seal	364400
10	Pilot Valve Kit (tan), qty. 1	461540SP
11	Pressure Regulator Kit - variable, qty. 1 (50 to 120 PSI; 3.4 to 8.3 bar; 340 to 830 kPa)	674800SP
12	Control Tubing Kit - includes 24" (61 cm) of 1/8" tubing, connector, and retainers (2)	461539
NS	Tube retainer - 1/8" tubing	476000
NS	Connector - 1/8" x 1/8" tubing	494400
13	Body assembly, electric VIH - includes tubing to pilot valve and tubing to regulator plus items 4, 5, 16, 17, and 18 (does not include pilot valve or pressure regulator)	463736SP
14	Cap, protective - solenoid wires	643900
15	Cap, protective - lower compartment	474400
16	Restraint - solenoid wires	669300
17	Brace - DIH decoder support (yellow)	526700
18	DIH-100 1-station decoder/solenoid assembly	353600
19	DIH-200 2-station decoder/solenoid assembly	686500

NS = Not shown



## G-800C BODY ASSEMBLY: CHECK-O-MATIC TECHNOLOGY

ITEM	DESCRIPTION	MODEL
1	Snap ring, lower G-800 (white), qty. 10	526800SP
2	Assembly, inlet valve, Check-O-Matic (COM) Technology (black screen), qty. 1	929701SP
3	O-ring - inlet valve to body seal	426300
4	Screw - flange lid retainer, qty. 10	351800SP
5	Lid - flange compartment, COM	449405
	Recessed yardage marker area	
	Lid - flange compartment, COM	449415
	Raised yardage marker area	
6	Vent cap - valve air bleed	456600
7	Tube retainer - ¼" tubing	052610
8	Connector - ¼" x ⅛" tubing	402100
9	Tube retainer - ⅛" tubing	476000
10	Control Tubing Kit - includes 24" (61 cm) of ⅛" tubing, connector, and retainers (2)	461539
11	Body assembly, COM, and normally open hydraulic - includes items 4-13	463734
12	Cap, protective - solenoid wires	643900
13	Cap, protective - lower compartment	474400



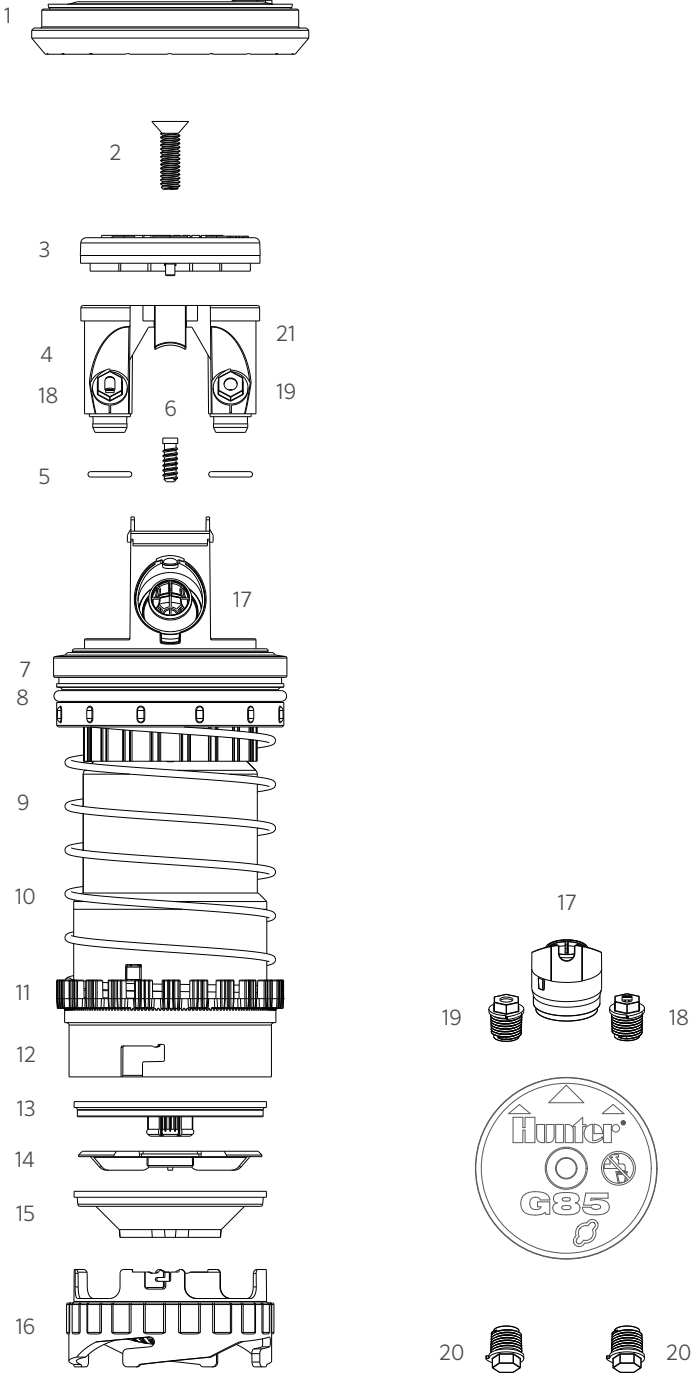
**G-885 RISER ASSEMBLY:  
ADJUSTABLE ARC CONFIGURATION**

ITEM	DESCRIPTION	MODEL
1	Snap ring assembly - upper, black	450100
	Snap ring assembly - upper, purple	450105
2	Screw - logo cap retainer	189755
3	Rubber logo cap assembly, black	255300
4	Yoke - secondary nozzle housing	254500
5	O-ring - yoke seal (2 used)	252104
6	Screw - primary nozzle retainer	180900
7	Seal block assembly with O-ring	517100
8	O-ring - seal block	549400
9	Spring - riser retraction	553700
10	Face seal	256500
11	Ratchet ring/spring seat	255000
12	Riser assembly - SRU; includes items 1-16 plus desired nozzle set (replace XX in model number with any primary nozzle 10 through 53)	G885INT-XX
13	Stator base (for stator 14)	256600
14	Stator adjustment plate (nozzles 23-53)	266500
15	Stator variable, qty. 5 (nozzles 10-20)	271000SP
16	Screen - riser inlet	539200
17	Primary nozzles - packs of 10	
	10 - Light green with plug, qty. 10	272108SP
	13 - Light blue, qty. 10	272109SP
	15 - White, qty. 10	272110SP
	18 - Orange, qty. 10	272111SP
	20 - Tan, qty. 10	272112SP
	23 - Green, qty. 10	272101SP
	25 - Blue, qty. 10	272102SP
	33 - Gray, qty. 10	272103SP
	38 - Red, qty. 10	272104SP
	43 - Dark brown, qty. 10	272105SP
48 - Dark green, qty. 10	272106SP	
53 - Dark blue, qty. 10	272107SP	

Image on the following page; compatible with TTS-800 and G-800 Series body assemblies

ITEM	DESCRIPTION	MODEL
	Low-angle primary nozzles - packs of 10	
	18 - Orange/gray, qty. 10	301711SP
	20 - Tan/gray, qty. 10	301712SP
	23 - Green/gray, qty. 10	301701SP
	25 - Blue/gray, qty. 10	301702SP
	33 - Gray/gray, qty. 10	301703SP
	38 - Red/gray, qty. 10	301704SP
	43 - Dark brown/gray, qty. 10	301705SP
	48 - Dark green/gray, qty. 10	301706SP
	53 - Dark blue/gray, qty. 10	301707SP
18	Short-range nozzles - packs of 10	
	Peach - shortest range, qty. 10	803604SP
	Orange - nozzles 10-23, qty. 10	803603SP
	Red - nozzles 25-43, qty. 10	803602SP
19	Mid-range nozzles - packs of 10	
	White - nozzles 13-15, qty. 10	315314SP
	Light green - nozzles 18-23, qty. 10	315313SP
	Green - nozzles 25-43, qty. 10	315310SP
	Dark green - nozzles 10, 48, and 53, qty. 10	315312SP
	20 Plug - nozzle, black, qty. 10	315300SP
NS	Nozzle pack - 10-20 (includes short- and mid-range)	460023SP
NS	Nozzle pack - 23-33 (includes short- and mid-range)	460024SP
NS	Nozzle pack - 38-53 (includes short- and mid-range)	460025SP
21	Yoke assembly; includes items 4, 5, 18, 19, and 20	
	For primary nozzle 10	863501
	For primary nozzles 13-15	863504
	For primary nozzles 18-23	863503
	For primary nozzles 25-43	863502
	For primary nozzles 48-53	863500

# TTS-800 AND G-800 SERIES GOLF ROTORS





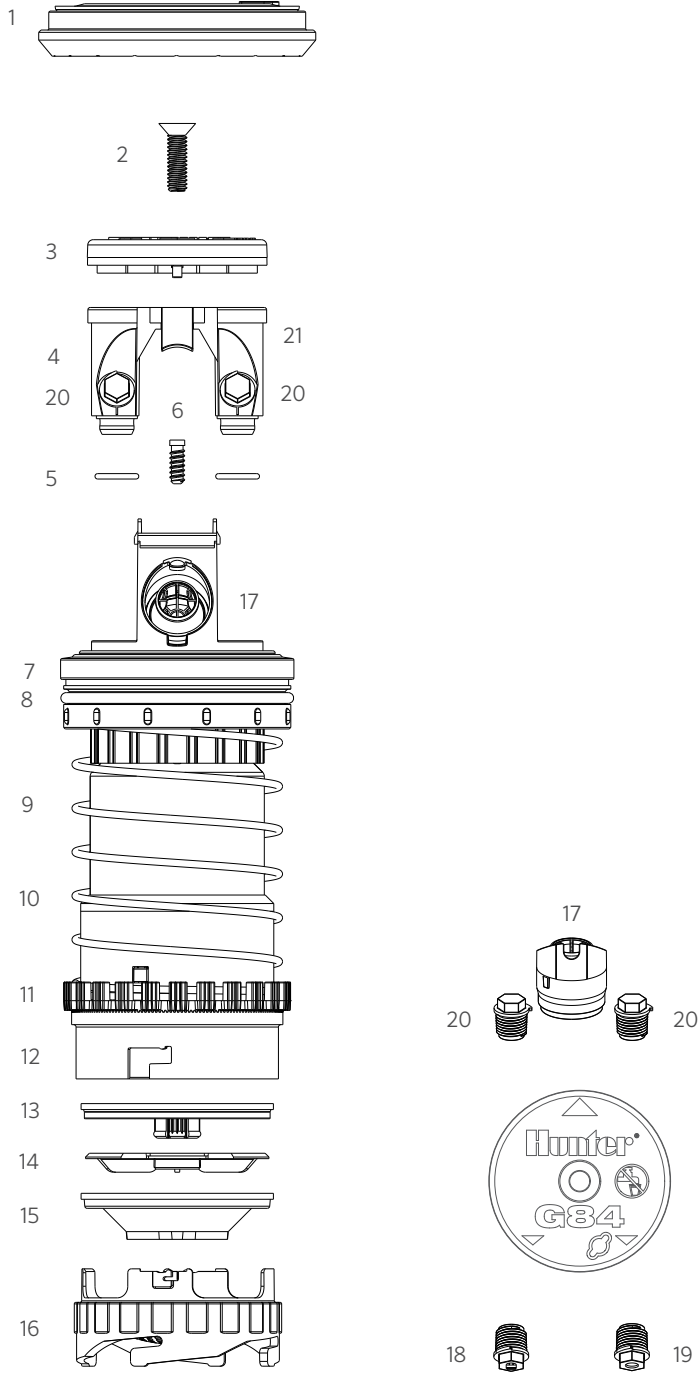
## G-884 RISER ASSEMBLY: ADJUSTABLE ARC CONFIGURATION

ITEM	DESCRIPTION	MODEL
1	Snap ring assembly - upper, black	450100
	Snap ring assembly - upper, purple	450105
2	Screw - logo cap retainer	189755
3	Rubber logo cap assembly, black	255303SP
4	Yoke - secondary nozzle housing	254500
5	O-ring - yoke seal (2 used)	252104
6	Screw - primary nozzle retainer	180900
7	Seal block assembly with O-ring	517100
8	O-ring - seal block	549400
9	Spring - riser retraction	553700
10	Face seal	256500
11	Ratchet ring/spring seat	255000
12	Riser assembly - SRU; includes items 1 - 16 plus desired nozzle set (replace XX in model number with any primary nozzle 15 through 53)	G884INT-XX
13	Stator base (for stator 14)	256600
14	Stator adjustment plate (nozzles 23-53)	266500
15	Stator variable, qty. 5 (nozzles 10-20)	271000SP
16	Screen - riser inlet	539200
17	Primary nozzles - packs of 10	
	15 - White, qty. 10	272110SP
	18 - Orange, qty. 10	272111SP
	20 - Tan, qty. 10	272112SP
	23 - Green, qty. 10	272101SP
	25 - Blue, qty. 10	272102SP
	33 - Gray, qty. 10	272103SP
	38 - Red, qty. 10	272104SP
	43 - Dark brown, qty. 10	272105SP
	48 - Dark green, qty. 10	272106SP
	53 - Dark blue, qty. 10	272107SP

Image on the following page; compatible with TTS-800 and G-800 Series body assemblies

ITEM	DESCRIPTION	MODEL
	Low-angle primary nozzles - packs of 10	
	18 - Orange/gray, qty. 10	301711SP
	20 - Tan/gray, qty. 10	301712SP
	23 - Green/gray, qty. 10	301701SP
	25 - Blue/gray, qty. 10	301702SP
	33 - Gray/gray, qty. 10	301703SP
	38 - Red/gray, qty. 10	301704SP
	43 - Dark brown/gray, qty. 10	301705SP
	48 - Dark green/gray, qty. 10	301706SP
	53 - Dark blue/gray, qty. 10	301707SP
18	Short-range nozzles - packs of 10	
	Tan - nozzles 15-43, qty. 10	803611SP
	Dark brown - nozzles 48-53, qty. 10	803610SP
19	Mid-range nozzles - packs of 10	
	Gray - nozzles 15-20, qty. 10	315317SP
	Light blue - nozzles 23-38, qty. 10	315311SP
	Blue - nozzle 43, qty. 10	315315SP
	Dark blue - nozzles 48-53, qty. 10	833500SP
20	Plug - nozzle, black, qty. 10	315300SP
NS	Nozzle pack - 15-20 (includes short- and mid-range)	460054SP
NS	Nozzle pack - 23-38 (includes short- and mid-range)	460055SP
NS	Nozzle pack - 43-53 (includes short- and mid-range)	460056SP
21	Yoke assembly; includes items 4, 5, 18, 19, and 20	
	For primary nozzles 15-20	863505
	For primary nozzles 23-38	863506
	For primary nozzle 43	863507
	For primary nozzles 48-53	863508

# TTS-800 AND G-800 SERIES GOLF ROTORS



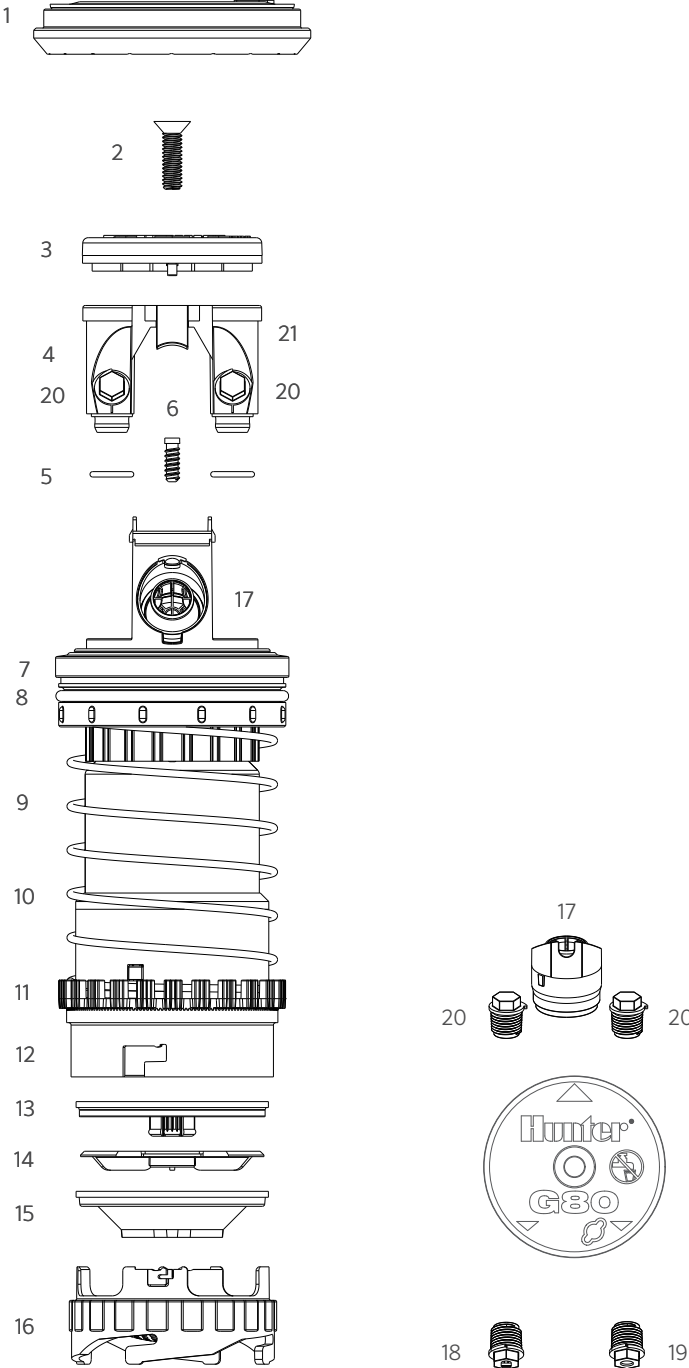
## G-880 RISER ASSEMBLY: FULL-CIRCLE CONFIGURATION

ITEM	DESCRIPTION	MODEL
1	Snap ring assembly - upper, black	450100
	Snap ring assembly - upper, purple	450105
2	Screw - logo cap retainer	189755
3	Rubber logo cap assembly, black	255301SP
4	Yoke - secondary nozzle housing	254500
5	O-ring - yoke seal (2 used)	252104
6	Screw - primary nozzle retainer	180900
7	Seal block assembly with O-ring	517100
8	O-ring - seal block	549400
9	Spring - riser retraction	553700
10	Face seal	256500
11	Ratchet ring/spring seat	255000
12	Riser assembly - SRU; includes items 1-16 plus desired nozzle set (replace XX in model number with any primary nozzle 15 through 53)	G880INT-XX
13	Stator base (for stator 14)	256600
14	Stator adjustment plate (nozzles 23-53)	266500
15	Stator variable; qty. 5 (nozzles 10-20)	271000SP
16	Screen - riser inlet	539200
17	Primary nozzles - packs of 10	
	15 - White, qty. 10	272110SP
	18 - Orange, qty. 10	272111SP
	20 - Tan, qty. 10	272112SP
	23 - Green, qty. 10	272101SP
	25 - Blue, qty. 10	272102SP
	33 - Gray, qty. 10	272103SP
	38 - Red, qty. 10	272104SP
	43 - Dark brown, qty. 10	272105SP
	48 - Dark green, qty. 10	272106SP
	53 - Dark blue, qty. 10	272107SP

Image on the following page; compatible with TTS-800 and G-800 Series body assemblies

ITEM	DESCRIPTION	MODEL
	Low-angle primary nozzles - packs of 10	
	18 - Orange/gray, qty. 10	301711SP
	20 - Tan/gray, qty. 10	301712SP
	23 - Green/gray, qty. 10	301701SP
	25 - Blue/gray, qty. 10	301702SP
	33 - Gray/gray, qty. 10	301703SP
	38 - Red/gray, qty. 10	301704SP
	43 - Dark brown/gray, qty. 10	301705SP
	48 - Dark green/gray, qty. 10	301706SP
	53 - Dark blue/gray, qty. 10	301707SP
18	Short-range nozzles - packs of 10	
	Tan - nozzles 15-43, qty. 10	803611SP
	Dark brown - nozzles 48-53, qty. 10	803610SP
19	Mid-range nozzles - packs of 10	
	Gray - nozzles 15-20, qty. 10	315317SP
	Light blue - nozzles 23-38, qty. 10	315311SP
	Blue - nozzle 43, qty. 10	315315SP
	Dark blue - nozzles 48-53, qty. 10	833500SP
20	Plug - nozzle, black, qty. 10	315300SP
NS	Nozzle pack - 15-20 (includes short- and mid-range)	460054SP
NS	Nozzle pack - 23-38 (includes short- and mid-range)	460055SP
NS	Nozzle pack - 43-53 (includes short- and mid-range)	460056SP
21	Yoke assembly; includes items 4, 5, 18, 19, and 20	
	For primary nozzles 15-20	863505
	For primary nozzles 23-38	863506
	For primary nozzle 43	863507
	For primary nozzles 48-53	863508

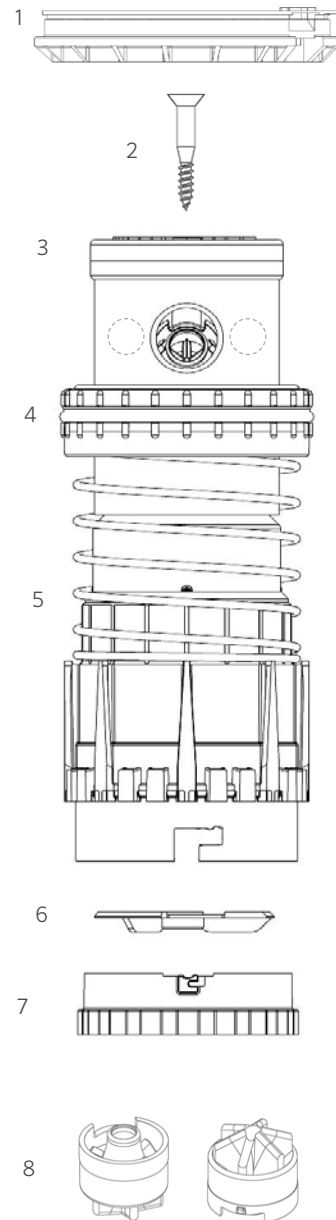
# TTS-800 AND G-800 SERIES GOLF ROTORS



## G-880 RISER ASSEMBLY: FULL-CIRCLE CONFIGURATION (Obsolete Model)

ITEM	DESCRIPTION	MODEL
1	Snap ring assembly - upper, black	450100
	Snap ring assembly - upper, purple; applications: reclaimed water sites	450105
2	Screw - shroud retainer	376400
3	Rubber logo cap (black)	453800
4	O-ring - seal	549400
5	Face seal - white	552400
6	Plate - stator adjustment	266500
7	Screen - riser inlet - date codes 0213 and prior	052868
8	Nozzle pack - primary nozzles one each 25-53	460002

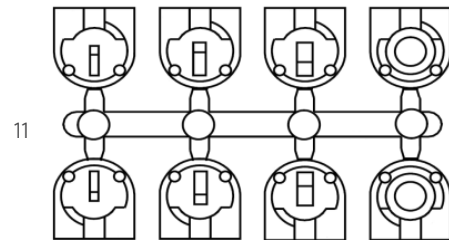
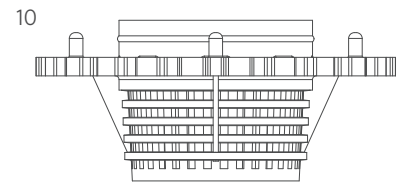
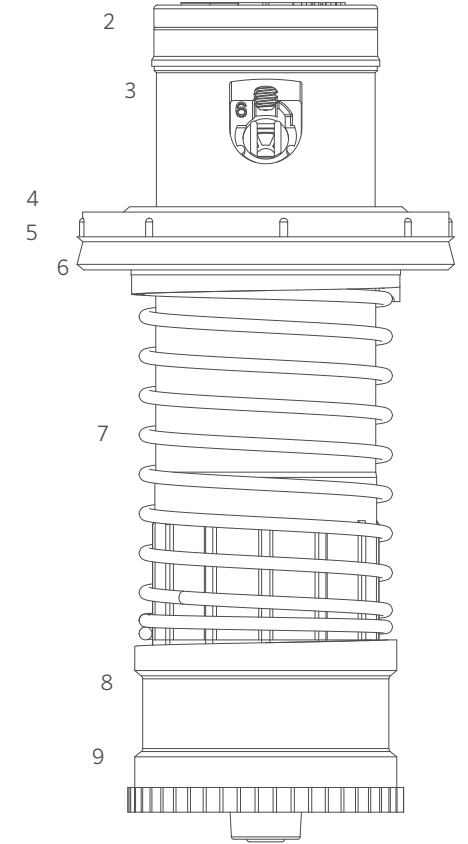
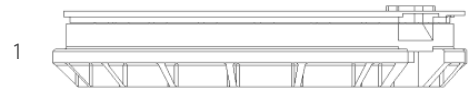
*Obsolete model; replaced with updated G-80 in January 2019*



## G-835 RISER ASSEMBLY: ADJUSTABLE ARC CONFIGURATION

ITEM	DESCRIPTION	MODEL
1	Snap ring assembly - upper, black	610100
	Snap ring assembly - upper, purple; applications: reclaimed water sites	610105
2	Rubber logo cap, black	553800
3	Screw - nozzle retainer	053143
4	Support - riser seal upper	450400
5	Seal - riser	450500
6	Support - riser seal lower	052383
7	Spring - riser retraction	348700
8	Bumper - riser	405700
9	Riser assembly - includes items 1-11	400600
10	Screen - riser inlet	450600
11	Nozzle rack	554000

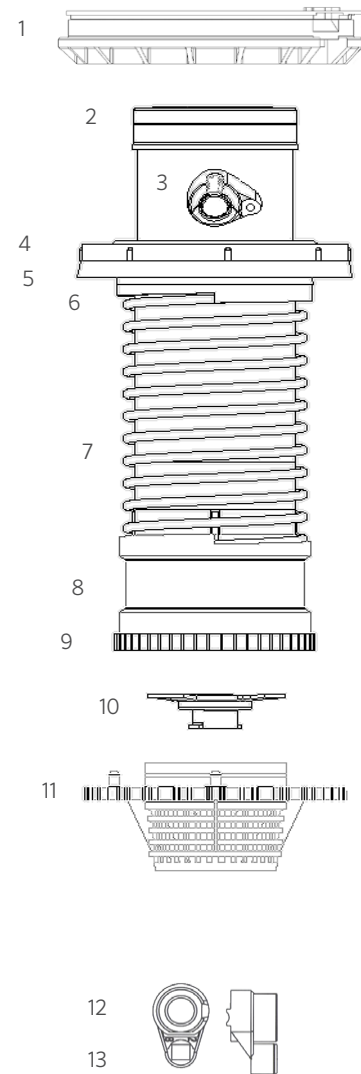
*Compatible with TTS-800 and G-800 Series body assemblies*



**G-875 RISER ASSEMBLY: ADJUSTABLE ARC CONFIGURATION (Obsolete Model)**

ITEM	DESCRIPTION	MODEL
1	Snap ring assembly - upper, black	610100
	Snap ring assembly - upper, purple; applications: reclaimed water sites	610105
2	Rubber logo cap, black	402720
3	Screw - nozzle retainer	053143
4	Support - riser seal upper	450400
5	Seal - riser	450500
6	Support - riser seal lower	052383
7	Spring - riser retraction	348700
8	Bumper - riser	405700
9	Riser assembly; includes items 1-12	474571SP
10	Plate - stator adjustment	439600
11	Screen - riser inlet	450600
12	Nozzle pack	461532
13	Nozzle assembly - bag of 25	
	8 - Light brown	463404SP
	10 - Light green	463405SP
	13 - Light blue	463406SP
	15 - Gray	463407SP
	18 - Red	463408SP
	20 - Dark brown	463409SP
	23 - Dark green	463410SP
	25 - Dark blue	463411SP
	28 - Black	463412SP

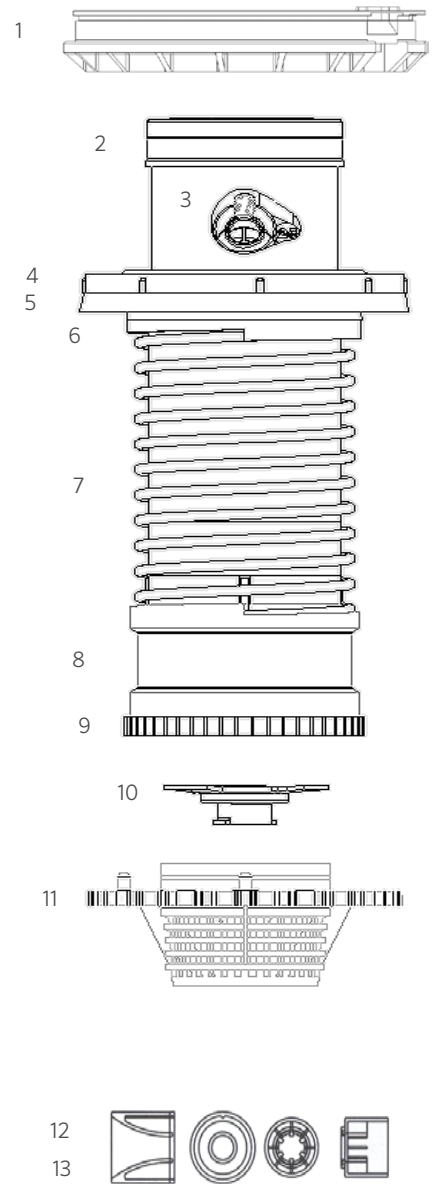
*Obsolete model; replaced with G-885 in 2013*



**G-870 RISER ASSEMBLY: FULL-CIRCLE CONFIGURATION (Obsolete Model)**

ITEM	DESCRIPTION	MODEL
1	Snap ring assembly - upper, black	610100
	Snap ring assembly - upper, purple; applications: reclaimed water sites	610105
2	Rubber logo cap, black	402710
3	Screw - nozzle retainer (2 required)	053143
4	Support - riser seal upper	450400
5	Seal - riser	450500
6	Support - riser seal lower	052383
7	Spring - riser retraction	348700
8	Bumper - riser	405700
9	Riser assembly; includes items 1-12	474507SP
10	Plate - stator adjustment	439600
11	Screen - riser inlet	450600
12	Nozzle pack	463210
13	Nozzle rack - bag of 25	
	15 - Gray	463213
	18 - Red	463214
	20 - Dark brown	463215
	23 - Dark green	463216
	25 - Dark blue	463217
	28 - Black	463218

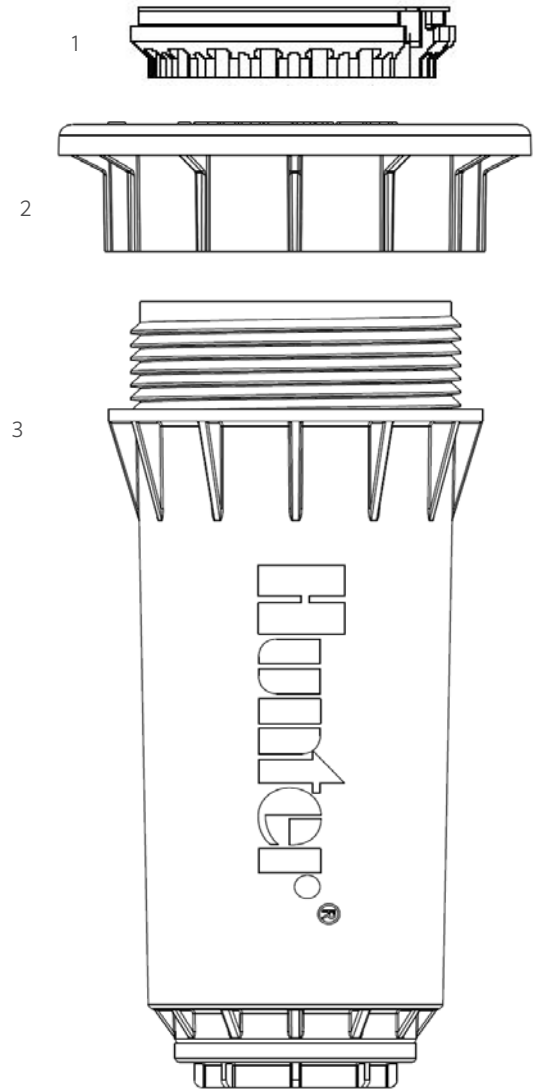
*Obsolete model; replaced with G-880*





**G-80B/G-84B/G-85B BODY ASSEMBLY: BLOCK**

ITEM	DESCRIPTION	MODEL
1	Snap ring assembly - upper, black	450100
	Snap ring assembly - upper, purple; applications: reclaimed water sites	450105
2	Flange cap	322400
3	Body - block with 1¼" (30 mm) Acme inlet	781300



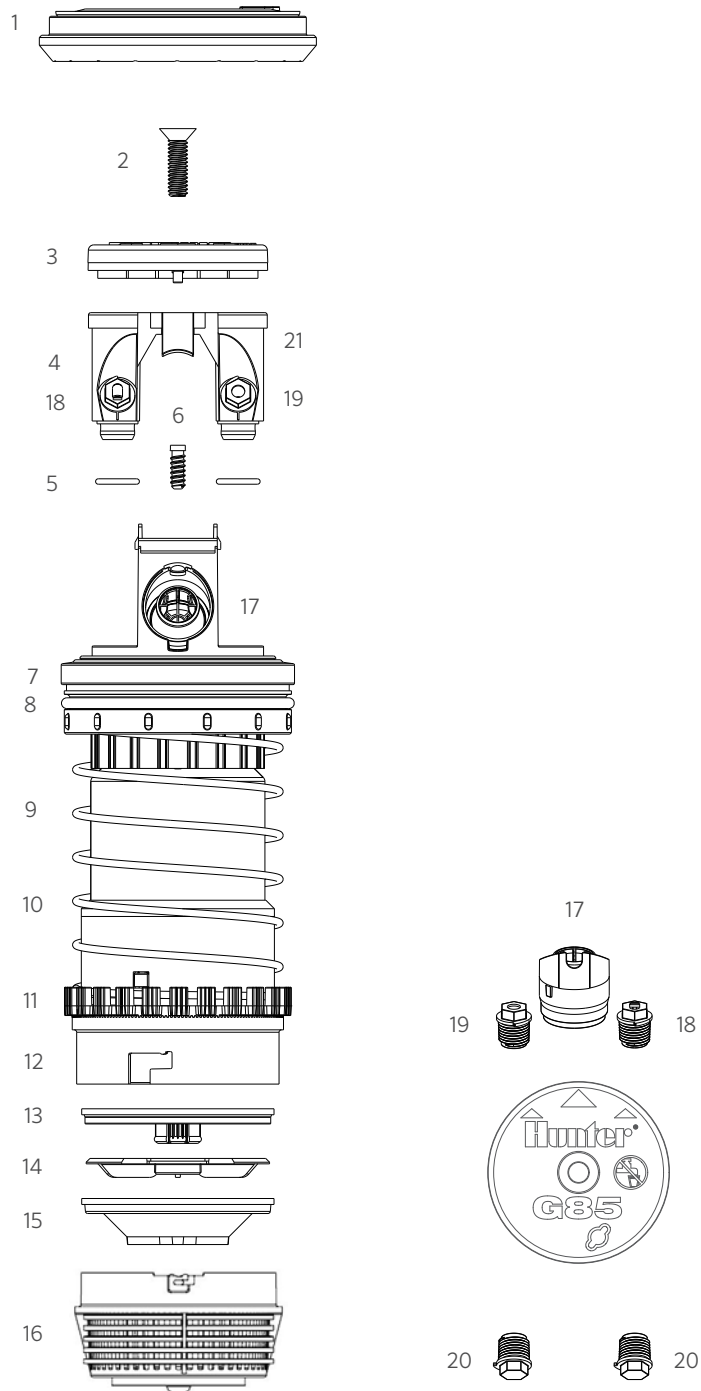
## B SERIES GOLF ROTORS

### G-85B RISER ASSEMBLY: ADJUSTABLE ARC CONFIGURATION

ITEM	DESCRIPTION	MODEL
1	Snap ring assembly - upper, black	450100
	Snap ring assembly - upper, purple	450105
2	Screw - logo cap retainer	189755
3	Rubber logo cap assembly, black	255300
4	Yoke - secondary nozzle housing	254500
5	O-ring - yoke seal (2 used)	252104
6	Screw - primary nozzle retainer	180900
7	Seal block assembly with O-ring	517100
8	O-ring - seal block	549400
9	Spring - riser retraction	553700
10	Face seal	256500
11	Ratchet Ring - Spring Seat	255000
12	Riser assembly - SRU; includes items 1-13, 17, and 18; 18 nozzle installed; includes 10-20 nozzle pack	460017
	Riser assembly - SRU; includes items 1-16, 18; 25 nozzle installed; includes 23-33 nozzle pack	460018
	Riser assembly - SRU; includes items 1-16, 18; 48 nozzle installed; includes 38-53 nozzle pack	460021
13	Stator base (for stator 14)	256600
14	Stator adjustment plate (nozzles 23-53)	266500
15	Stator variable; qty. 5 (nozzles 10-20)	271000
16	Screen (check valve) - riser inlet	271900
17	Primary nozzles - packs of 10	
	10 - Light green with plug, qty. 10	272108SP
	13 - Light blue, qty. 10	272109SP
	15 - White, qty. 10	272110SP
	18 - Orange, qty. 10	272111SP
	20 - Tan, qty. 10	272112SP
	23 - Green, qty. 10	272101SP
	25 - Blue, qty. 10	272102SP
	33 - Gray, qty. 10	272103SP
	38 - Red, qty. 10	272104SP
	43 - Dark brown, qty. 10	272105SP
	48 - Dark green, qty. 10	272106SP
	53 - Dark blue, qty. 10	272107SP

Image on the following page

ITEM	DESCRIPTION	MODEL
	Low-angle primary nozzles - packs of 10	
	18 - Orange/gray, qty. 10	301711SP
	20 - Tan/gray, qty. 10	301712SP
	23 - Green/gray, qty. 10	301701SP
	25 - Blue/gray, qty. 10	301702SP
	33 - Gray/gray, qty. 10	301703SP
	38 - Red/gray, qty. 10	301704SP
	43 - Dark brown/gray, qty. 10	301705SP
18	Short-range nozzles - packs of 10	
	Peach - shortest range, qty. 10	803604SP
	Orange - nozzles 10-23, qty. 10	803603SP
	Red - nozzles 25-43, qty. 10	803602SP
19	Mid-range nozzles - packs of 10	
	Dark red - nozzles 48-53, qty. 10	803601SP
	White - nozzles 13-15, qty. 10	315314SP
	Light green - nozzles 18-23, qty. 10	315313SP
	Green - nozzles 25-43, qty. 10	315310SP
20	Dark green - nozzles 10, 48, and 53, qty. 10	315312SP
	Plug - nozzle, black, qty. 10	315300SP
NS	Nozzle pack - 10-20 (includes short- and mid-range)	460023SP
NS	Nozzle pack - 23-33 (includes short- and mid-range)	460024SP
NS	Nozzle pack - 38-53 (includes short- and mid-range)	460025SP
21	Yoke assembly; includes items 4, 5, 18, 19, and 20	
	For primary nozzle 10	863501
	For primary nozzles 13-15	863504
	For primary nozzles 18-23	863503
	For primary nozzles 25-43	863502
	For primary nozzles 48-53	863500



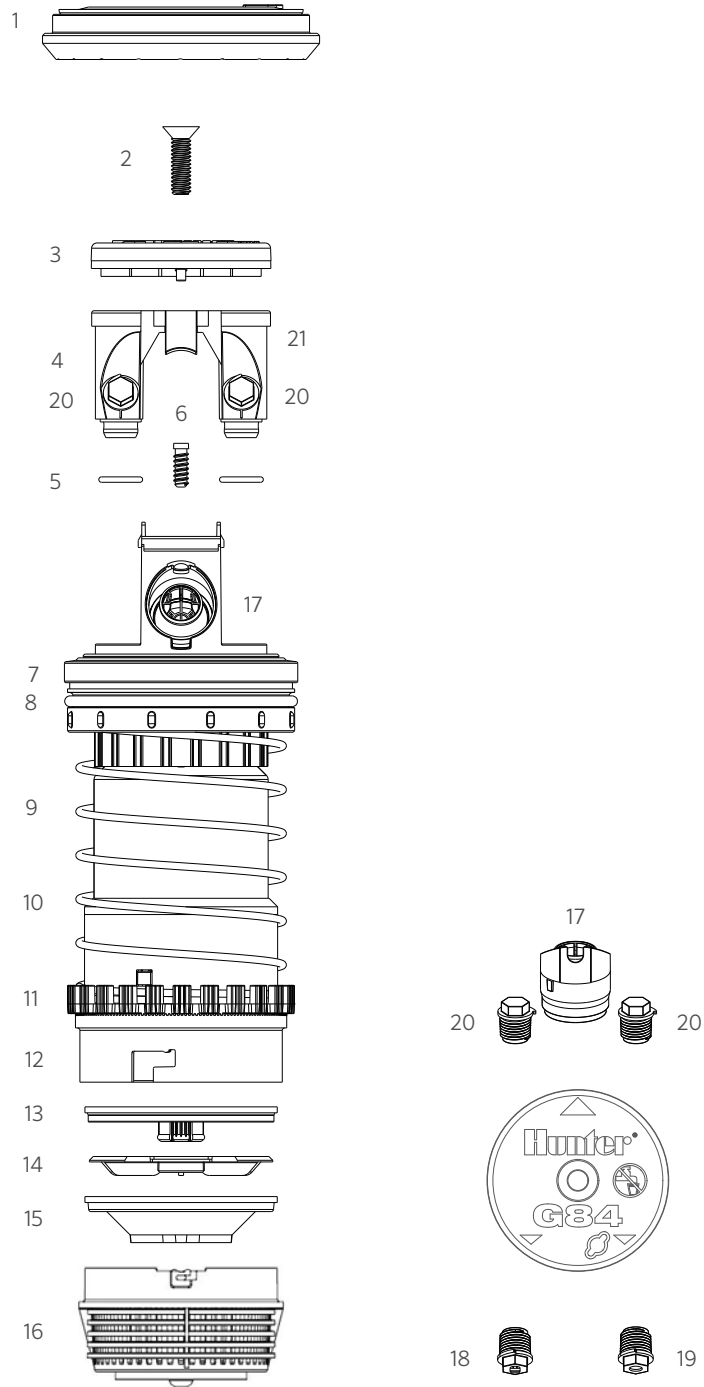
## B SERIES GOLF ROTORS

### G-84B RISER ASSEMBLY: ADJUSTABLE ARC CONFIGURATION

ITEM	DESCRIPTION	MODEL
1	Snap ring assembly - upper, black	450100
	Snap ring assembly - upper, purple	450105
2	Screw - logo cap retainer	189755
3	Rubber logo cap assembly, black	255303SP
4	Yoke - secondary nozzle housing	254500
5	O-ring - yoke seal (2 used)	252104
6	Screw - primary nozzle retainer	180900
7	Seal block assembly with O-ring	517100
8	O-ring - seal block	549400
9	Spring - riser retraction	553700
10	Face seal	256500
11	Ratchet ring/spring seat	255000
12	Riser assembly - SRU; includes items 1-13, 17, and 18; 18 nozzle installed; includes 10-20 nozzle pack	460048
	Riser assembly - SRU; includes items 1-16, 18; 25 nozzle installed; includes 23-33 nozzle pack	460049
	Riser assembly - SRU; includes items 1-16, 18; 48 nozzle installed; includes 38-53 nozzle pack	460050
13	Stator base (for stator 14)	256600
14	Stator adjustment plate (nozzles 23-53)	266500
15	Stator variable; qty. 5 (nozzles 10-20)	271000
16	Screen/check valve - riser inlet	271900
17	Primary nozzles - packs of 10	
	15 - White, qty. 10	272110SP
	18 - Orange, qty. 10	272111SP
	20 - Tan, qty. 10	272112SP
	23 - Green, qty. 10	272101SP
	25 - Blue, qty. 10	272102SP
	33 - Gray, qty. 10	272103SP
	38 - Red, qty. 10	272104SP
	43 - Dark brown, qty. 10	272105SP
	48 - Dark green, qty. 10	272106SP
	53 - Dark blue, qty. 10	272107SP

Image on the following page

ITEM	DESCRIPTION	MODEL
	Low-angle primary nozzles - packs of 10	
	18 - Orange/gray, qty. 10	301711SP
	20 - Tan/gray, qty. 10	301712SP
	23 - Green/gray, qty. 10	301701SP
	25 - Blue/gray, qty. 10	301702SP
	33 - Gray/gray, qty. 10	301703SP
	38 - Red/gray, qty. 10	301704SP
	43 - Dark brown/gray, qty. 10	301705SP
	48 - Dark green/gray, qty. 10	301706SP
	53 - Dark blue/gray, qty. 10	301707SP
18	Short-range nozzles - packs of 10	
	Tan - nozzles 15-43, qty. 10	803611SP
19	Dark brown - nozzles 48-53, qty. 10	803610SP
	Mid-range nozzles - packs of 10	
	Gray - nozzles 15-20, qty. 10	315317SP
	Light blue - nozzles 23-38, qty. 10	315311SP
	Blue - nozzle 43, qty. 10	315315SP
	Dark blue - nozzles 48-53, qty. 10	833500SP
20	Plug - nozzle, black, qty. 10	315300SP
NS	Nozzle pack - 15-20 (includes short- and mid-range)	460054SP
NS	Nozzle pack - 23-33 (includes short- and mid-range)	460055SP
NS	Nozzle pack - 38-53 (includes short- and mid-range)	460056SP
21	Yoke assembly; includes items 4, 5, 18, 19, and 20	
	For primary nozzles 15-20	863505
	For primary nozzles 23-38	863506
	For primary nozzle 43	863507
	For primary nozzles 48-53	863508



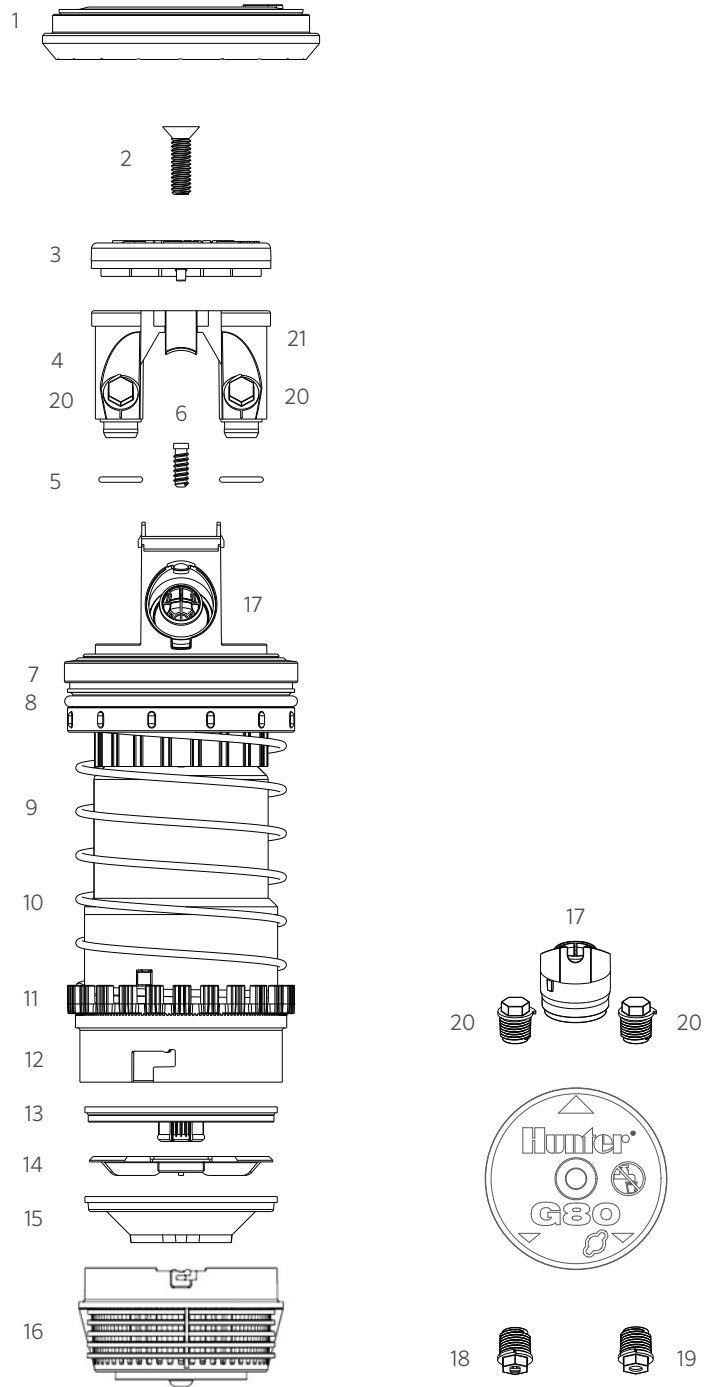
## B SERIES GOLF ROTORS

### G-80B RISER ASSEMBLY: FULL-CIRCLE CONFIGURATION

ITEM	DESCRIPTION	MODEL
1	Snap ring assembly - upper, black	450100
	Snap ring assembly - upper, purple	450105
2	Screw - logo cap retainer	189755
3	Rubber logo cap assembly, black	255301SP
4	Yoke - secondary nozzle housing	254500
5	O-ring - yoke seal (2 used)	252104
6	Screw - primary nozzle retainer	180900
7	Seal block assembly with O-ring	517100
8	O-ring - seal block	549400
9	Spring - riser retraction	553700
10	Face seal	256500
11	Ratchet ring/spring seat	255000
12	Riser assembly - SRU; includes items 1-16, 18; 25 nozzle installed; includes 15-20 nozzle pack	994800SP
	Riser assembly - SRU; includes items 1-16, 18; 25 nozzle installed; includes 23-33 nozzle pack	994900SP
	Riser assembly - SRU; includes items 1-16, 18; 48 nozzle installed; includes 38-53 nozzle pack	995100SP
13	Stator base (for stator 14)	256600
14	Stator adjustment plate (nozzles 23-53)	266500
15	Stator variable; qty. 5 (nozzles 10-20)	271000SP
16	Screen/check valve - riser inlet	271900
17	Primary nozzles - packs of 10	
	15 - White, qty. 10	272110SP
	18 - Orange, qty. 10	272111SP
	20 - Tan, qty. 10	272112SP
	23 - Green, qty. 10	272101SP
	25 - Blue, qty. 10	272102SP
	33 - Gray, qty. 10	272103SP
	38 - Red, qty. 10	272104SP
	43 - Dark brown, qty. 10	272105SP
	48 - Dark green, qty. 10	272106SP
53 - Dark blue, qty. 10	272107SP	

Image on the following page

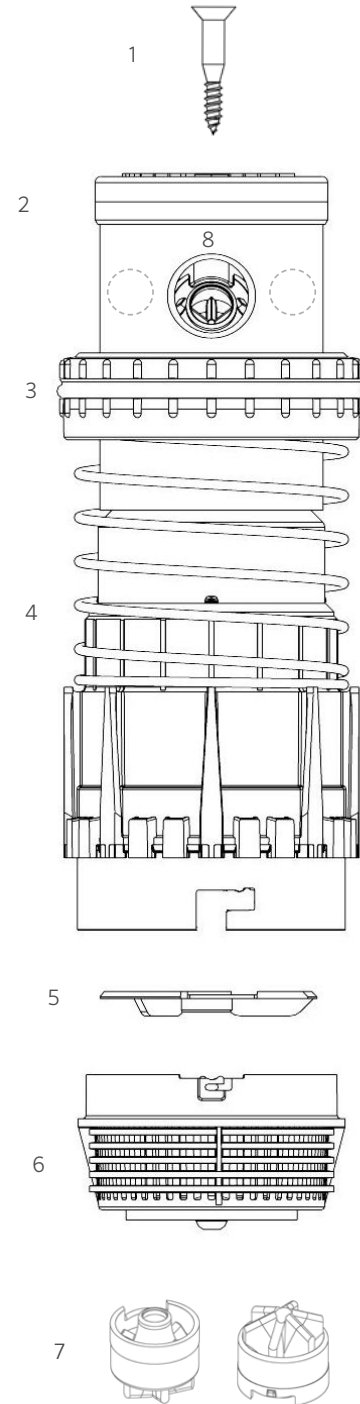
ITEM	DESCRIPTION	MODEL
	Low-angle primary nozzles - packs of 10	
	18 - Orange/gray, qty. 10	301711SP
	20 - Tan/gray, qty. 10	301712SP
	23 - Green/gray, qty. 10	301701SP
	25 - Blue/gray, qty. 10	301702SP
	33 - Gray/gray, qty. 10	301703SP
	38 - Red/gray, qty. 10	301704SP
	43 - Dark brown/gray, qty. 10	301705SP
18	Short-range nozzles - packs of 10	
	Tan - nozzles 15-43, qty. 10	803611SP
	Dark brown - nozzles 48-53, qty. 10	803610SP
19	Mid-range nozzles - packs of 10	
	Gray - nozzles 15-20, qty. 10	315317SP
	Light blue - nozzles 23-38, qty. 10	315311SP
	Blue - nozzle 43, qty. 10	315315SP
	Dark blue - nozzles 48-53, qty. 10	833500SP
	20 Plug - nozzle, black, qty. 10	315300SP
NS	Nozzle pack - 15-20 (includes short- and mid-range)	460054SP
NS	Nozzle pack - 23-33 (includes short- and mid-range)	460055SP
NS	Nozzle pack - 38-53 (includes short- and mid-range)	460056SP
21	Yoke assembly; includes items 4, 5, 18, 19, and 20	
	For primary nozzles 15-20	863505
	For primary nozzles 23-38	863506
	For primary nozzle 43	863507
	For primary nozzles 48-53	863508



## G-80B RISER ASSEMBLY: FULL-CIRCLE CONFIGURATION (Obsolete Model)

ITEM	DESCRIPTION	MODEL
1	Screw - shroud retainer	376400
2	Rubber logo cap, black	453800
3	O-ring - seal	549400
4	Face seal, white	552400
5	Plate - stator adjustment	266500
6	Screen - with check valve	271900
7	Nozzle pack - primary nozzles, one each 25-53	460002

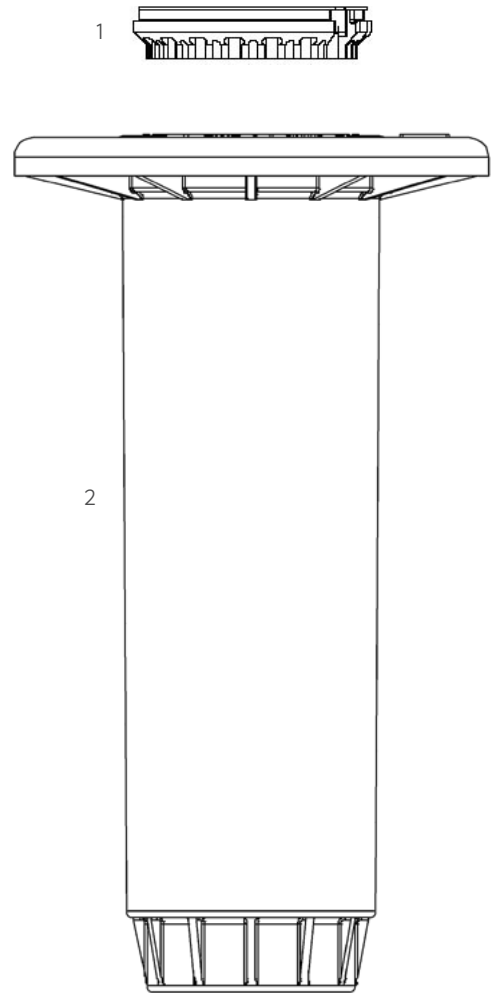
*Obsolete model; replaced with updated G-80 in January 2019*





**G-35B/G-70B/G-75B BODY ASSEMBLY: BLOCK**

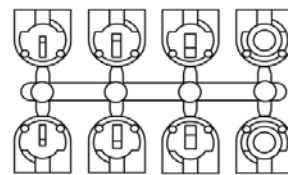
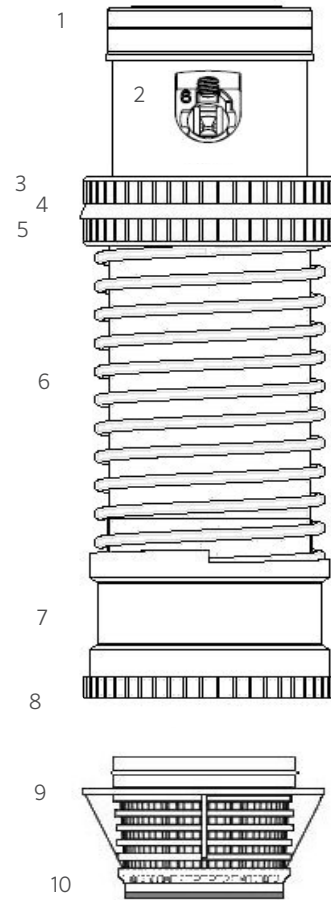
ITEM	DESCRIPTION	MODEL
	Snap ring assembly - upper, black	403400SP
1	Snap ring assembly - upper, purple; applications: reclaimed water sites	470600
2	Body - block with 1¼" (30 mm) Acme inlet	401800



## B SERIES GOLF ROTORS

### G-35B RISER ASSEMBLY: FULL-CIRCLE CONFIGURATION

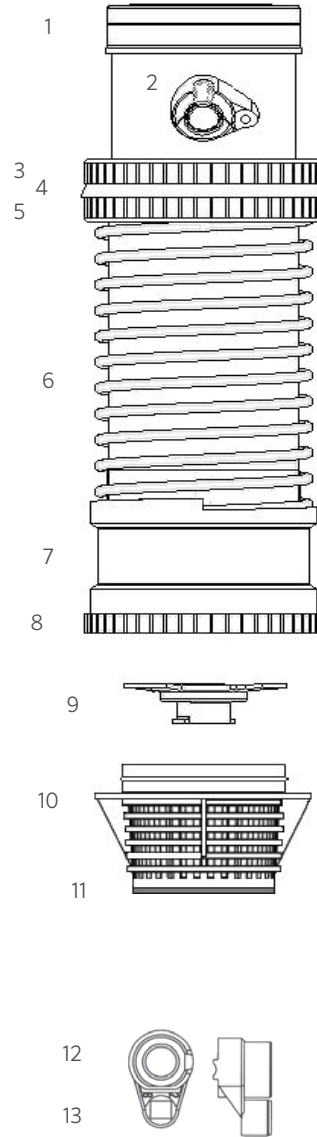
ITEM	DESCRIPTION	MODEL
1	Rubber logo cap, black	553800
2	Screw - nozzle retainer	053143
3	Support - riser seal upper	349100
4	Seal - riser	348900
5	Support - riser seal lower	052383
6	Spring - riser retraction	348700
7	Bumper - riser	405700
8	Riser assembly; includes items 1 - 11 plus 403400 snap ring	400500
9	Screen - with check seal, black	422200
10	Check seal	424800
11	Nozzle rack	554000



11

**G-75B RISER ASSEMBLY:  
ADJUSTABLE ARC CONFIGURATION**

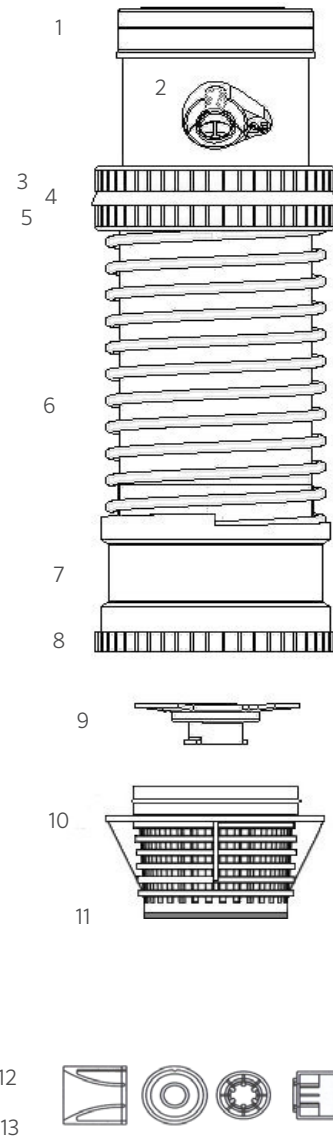
ITEM	DESCRIPTION	MODEL
1	Rubber logo cap, black	402720
2	Screw - nozzle retainer	053143
3	Support - riser seal upper	349100
4	Seal - riser	348900
5	Support - riser seal lower	052383
6	Spring - riser retraction	348700
7	Bumper - riser	405700
8	Riser assembly; includes items 1-12 plus 403400 snap ring	474211SP
9	Plate - stator adjustment	439600
10	Screen - with check seal, black	422200
11	Check seal	424800
12	Nozzle pack	461532
13	Nozzle assembly - bag of 25	
	8 - Light brown	463404SP
	10 - Light green	463405SP
	13 - Light blue	463406SP
	15 - Gray	463407SP
	18 - Red	463408SP
	20 - Dark brown	463409SP
	23 - Dark green	463410SP
	25 - Dark blue	463411SP
	28 - Black	463412SP



## B SERIES GOLF ROTORS

### G-70B RISER ASSEMBLY: FULL-CIRCLE CONFIGURATION

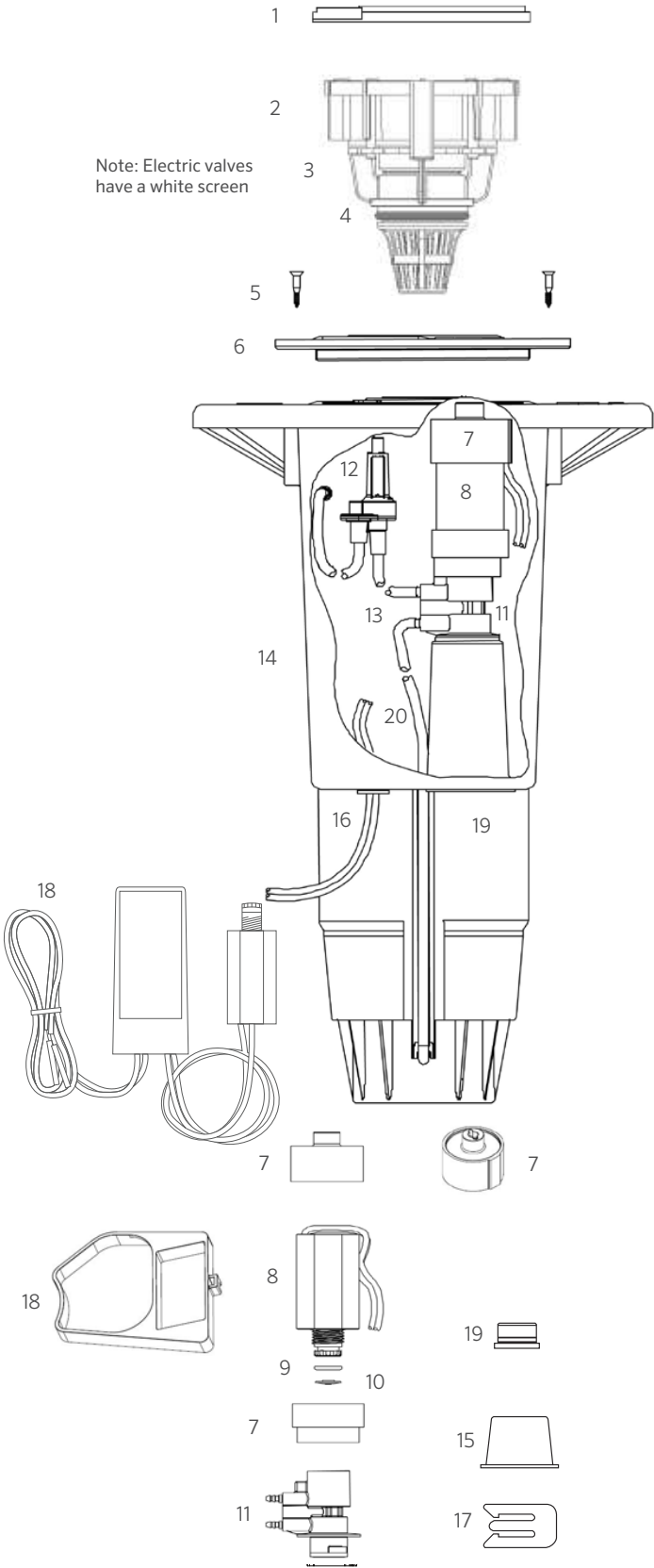
ITEM	DESCRIPTION	MODEL
1	Rubber logo cap, black	402710
2	Screw - nozzle retainer	053143
3	Support - riser seal upper	349100
4	Seal - riser	348900
5	Support - riser seal lower	052383
6	Spring - riser retraction	348700
7	Bumper - riser	405700
8	Riser assembly; includes items 1-12 plus 403400 snap ring	474210SP
9	Plate - stator adjustment	439600
10	Screen - with check seal, black	422200
11	Check seal	424800
12	Nozzle pack	463210
13	Nozzle assembly - bag of 25	
	15 - Gray	463213
	18 - Red	463214
	20 - Dark brown	463215
	23 - Dark green	463216
	25 - Dark blue	463217
	28 - Black	463218



**G-900E/G-900D/G-900DD BODY ASSEMBLY:  
VALVE-IN-HEAD**

ITEM	DESCRIPTION	MODEL
1	Snap ring - lower, white	052830
2	Inlet valve assembly - electric VIH (white screen), qty. 1	643200SP
3	Screen and valve seat, white	643400
4	O-ring - inlet valve to body seal	643500
5	Screw - flange lid retainer, qty. 10	351800SP
6	Lid - flange compartment - electric recessed yardage marker area	493600
	Lid - flange compartment - electric raised yardage marker area	493610
7	Selector cap and Detent Ring Kit, gray, qty. 5	461536SP
	Selector cap - DIH, yellow	454200
	Selector cap - DIH, green	454201
8	Solenoid Kit - AC, qty. 1 (includes items 6, 7, 8, 9, and 10)	461537SP
9	O-ring - solenoid thread seal	262600
10	Seal - solenoid plunger seal	364400
11	Pilot Valve Kit, tan, qty. 1	461540SP
12	Pressure Regulator Kit - variable (50 to 120 PSI; 3.5 to 8.3 bar; 345 to 827 kPa), qty. 1	674800SP
13	Control Tubing Kit - includes 24" (61 cm) of 1/8" tubing, connector, and retainers (2)	461539
NS	Tube retainer - 1/8" tubing	476000
NS	Connector - 1/8" x 1/8" tubing	494400
14	Body assembly, electric VIH; includes tubing to pilot valve and tubing to regulator plus items 14, 15, and 16 (does not include pilot valve or pressure regulator)	674600
15	Cap, protective - solenoid wires	643900
16	Cap, protective - lower compartment	474400
17	Restraint - solenoid wires	669300
18	Brace - DIH decoder support, yellow	526700
19	DIH-100 1-station decoder/solenoid assembly	353600
	DIH-200 2-station decoder/solenoid assembly	686500

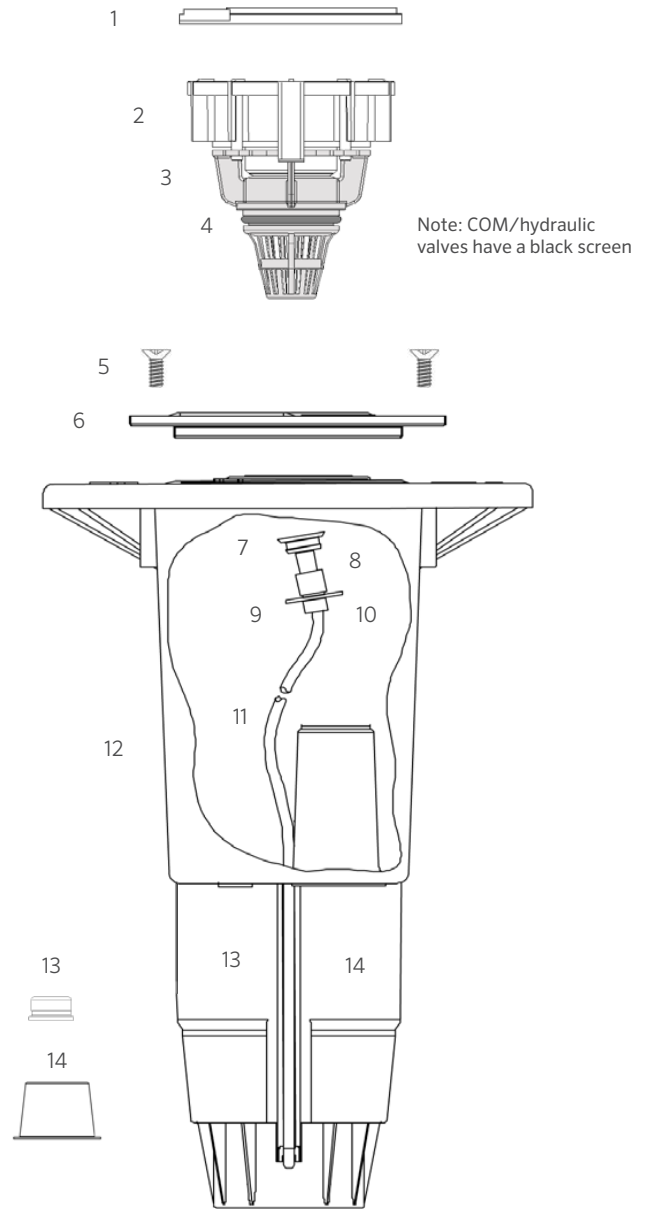
NS = Not shown



# G-900 SERIES GOLF ROTORS

## G-900C BODY ASSEMBLY: CHECK-O-MATIC TECHNOLOGY

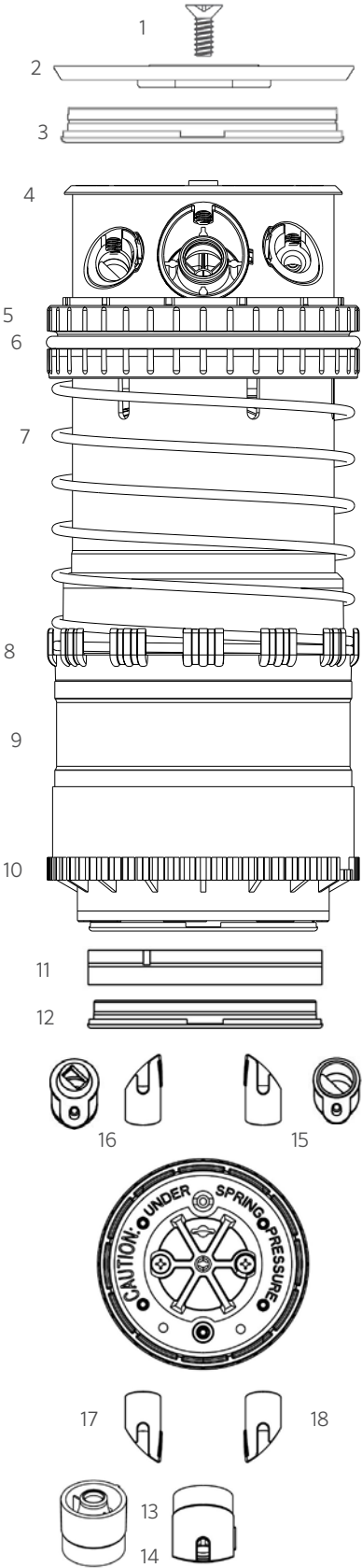
ITEM	DESCRIPTION	MODEL
1	Snap ring - lower, white	052830
2	Inlet valve assembly - COM and normally open hydraulic (black screen), qty. 1	672500SP
3	Screen and valve seat, black	643405
4	O-ring - inlet valve to body seal	643500
5	Screw - flange lid retainer, qty. 10	351800SP
6	Lid - flange compartment - COM; recessed yardage marker area	493605
	Lid - flange compartment - COM; raised yardage marker area	493615
7	Vent cap - valve air bleed	456600
8	Tube retainer - ¼" tubing	052610
9	Connector - ¼" x ⅛" tubing	402100
10	Tube retainer - ⅛" tubing	476000
11	Control Tubing Kit; includes 24" (61 cm) of ⅛" tubing, connector, and retainers (2)	461539
12	Body assembly, COM, and normally open hydraulic - includes items 6-13	674700
13	Cap, protective - solenoid wire hole	643900
14	Cap, protective - lower compartment	474400



**G-995 RISER ASSEMBLY: ADJUSTABLE ARC CONFIGURATION**

ITEM	DESCRIPTION	MODEL
1	Screw - logo cap retainer, qty. 10	351800SP
2	Rubber logo cap, black	664100
	Rubber logo cap, purple; applications: reclaimed water sites	664105
3	Snap ring assembly, black	430700
4	Screw - nozzle retainer (5 required)	333900
5	Seal block*	171700*
6	O-ring - seal*	171600*
7	Spring - riser retraction*	171900*
8	Face seal, black*	406000*
9	Bumper, gray*	171800*
10	Riser assembly; includes items 3-13, 15, 16	463004SP
11	Plate - stator adjustment	052833
12	Screen - riser inlet	052868
13	Nozzle pack - primary nozzles 25-73, qty. 1 each	461204SP
14	Primary nozzles - bag of 25	
	25 - Light blue	460011
	33 - Gray	464363
	38 - Red	464364
	43 - Dark brown	464365
	48 - Dark green	464366
	53 - Dark blue	464367
	63 - Black	464368
	73 - Orange	460012
	Low-angle nozzles - bag of 25	
	25 - Light blue/black	791500
	33 - Gray/black	791600
	38 - Red/black	791800
	43 - Dark brown/black	791900
	48 - Dark green/black	792000
	53 - Dark blue/black	792100
	63 - Black/black	792200
	73 - Orange/black	792300
15	Nozzle - short-range (5/11 and prior) left side, black	439100
	Nozzle - short-range (6/11 and after) left side, red	191800
16	Nozzle - mid-range (5/11 and prior) right side, green	439000
	Nozzle - mid-range (6/11 and after) right side, green	195701
17	Plug - nozzle (6/11 and after) left side, black	195803
18	Plug - nozzle (6/11 and after) right side, black	195703

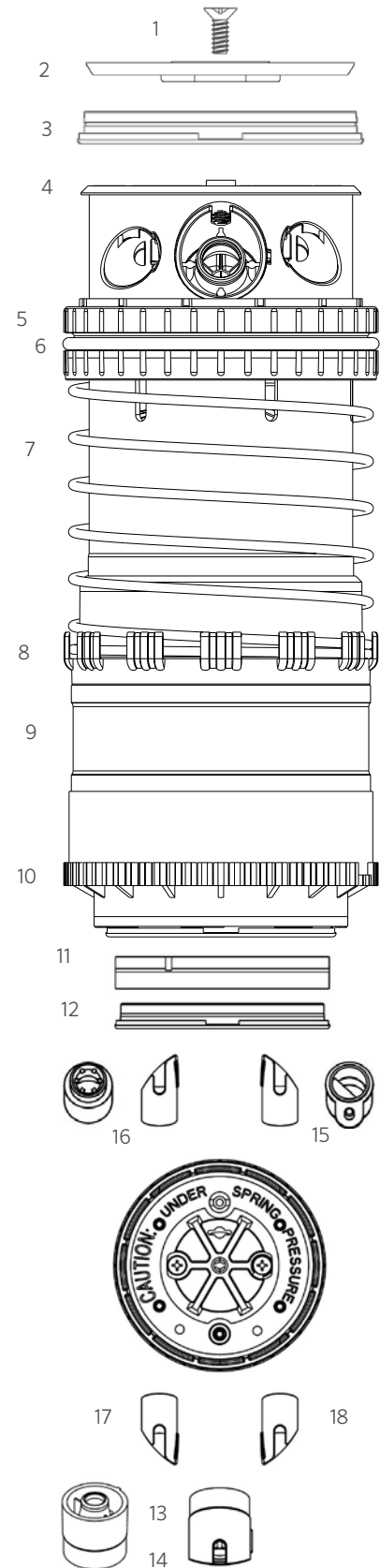
\* Items 5, 6, 7, 8, and 9 must all be replaced when changing any riser seal part on risers date coded 1208 (December 2008) and prior



## G-990 RISER ASSEMBLY: FULL-CIRCLE CONFIGURATION

ITEM	DESCRIPTION	MODEL
1	Screw - logo cap retainer, qty. 10	351800SP
2	Rubber logo cap, black	664000
	Rubber logo cap, purple; applications: reclaimed water sites	664005
3	Snap ring assembly, black	430700
4	Screw - nozzle retainer (5 required)	333900
5	Seal block*	171700*
6	O-ring - seal*	171600*
7	Spring - riser retraction*	171900*
8	Face seal, black*	406000*
9	Bumper, gray*	171800*
10	Riser assembly; includes items 3-13, 15, 16	463002SP
11	Plate - stator adjustment	052833
12	Screen - riser inlet	052868
13	Nozzle pack - primary nozzles 25-73, qty. 1 each	461204SP
14	Primary nozzles - bag of 25	
	25 - Light blue	460011
	33 - Gray	464363
	38 - Red	464364
	43 - Dark brown	464365
	48 - Dark green	464366
	53 - Dark blue	464367
	63 - Black	464368
	73 - Orange	460012
	Low-angle nozzles - bag of 25	
	25 - Light blue/black	791500
	33 - Gray/black	791600
	38 - Red/black	791800
	43 - Dark brown/black	791900
	48 - Dark green/black	792000
	53 - Dark blue/black	792100
	63 - Black/black	792200
	73 - Orange/black	792300
15	Nozzle - short-range (5/11 and prior) left side, black	439100
	Nozzle - short-range (6/11 and after) left side, red	191800
16	Nozzle - mid-range (5/11 and prior) right side, blue	455400
	Nozzle - mid-range (6/11 and after) right side, blue	195704
17	Plug - nozzle (6/11 and after) left side, black	195803
18	Plug - nozzle (6/11 and after) right side, black	195703

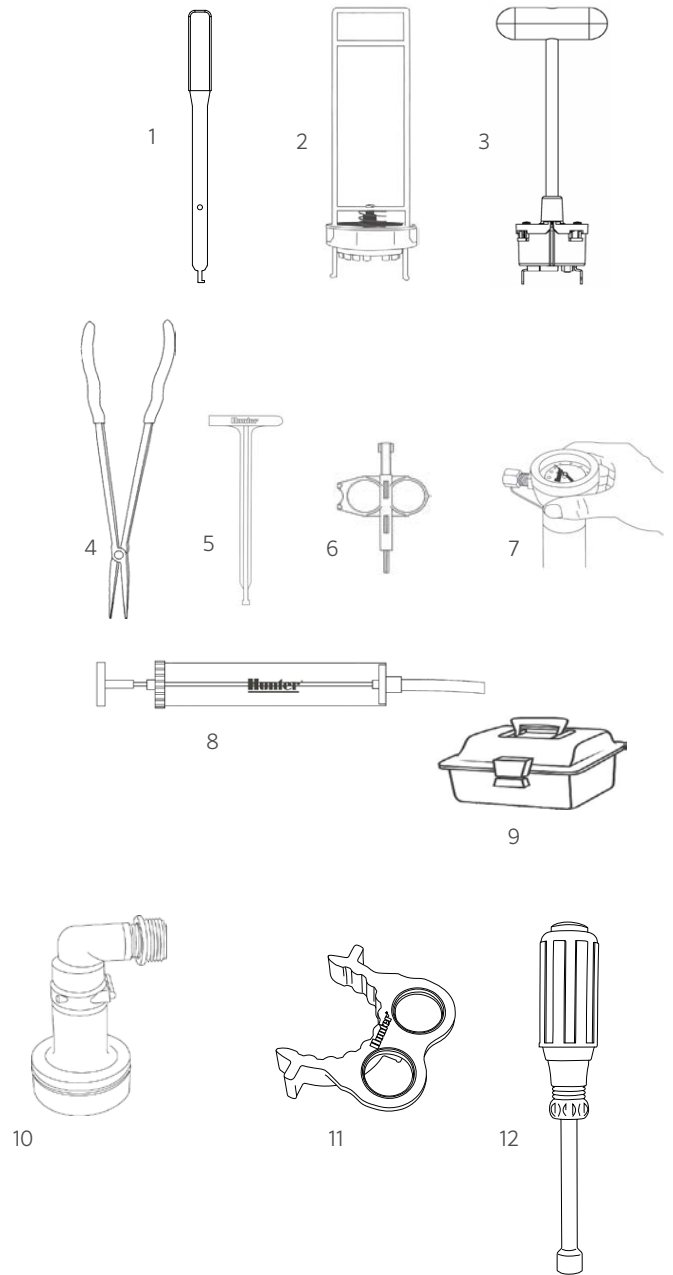
\* Items 5, 6, 7, 8, and 9 must all be replaced when changing any riser seal part on risers date coded 1208 (December 2008) and prior





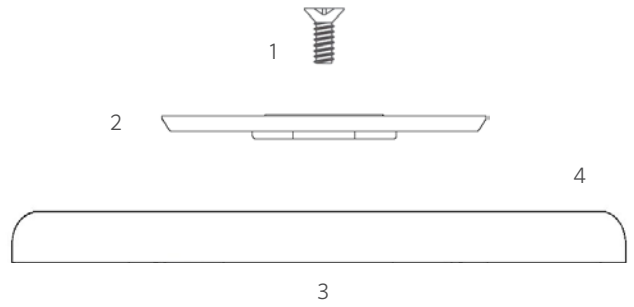
**TOOLS AND ACCESSORIES: GOLF ROTORS**

ITEM	DESCRIPTION	MODEL
1	Snap ring Removal Tool, qty. 1	251000SP
2	Valve Insertion/Removal Tool for G-90 and G-900 Series	280500SP
3	Valve Insertion/Removal Tool for G-800 Series	604000SP
4	Valve and snap ring pliers for G-800 Series	475600SP
5	T-Handle Tool; VIH selector, nozzle insertion, riser lift-up, and arc adjustment	319100SP
6	Hunter Wrench, qty. 100	172000SP
7	Rotor Pitot Gauge and tube assembly	280100SP
8	Hand pump for water extraction	460302SP
9	Golf Rotor Tool Kit; includes items 1, 4, 5, 6, 7, 8, 9, 10, and 13 plus toolbox and screwdriver	475700SP
10	Hose adapter and swivel for G-90 Series "C," "H," and "E"	G90HS100
	Hose adapter and swivel for G-800 Series "C," "H," and "E"	G800HS100
11	Arc adjustment/riser hold-up for G-85B and G-885	382800SP
12	Nozzle Removal/Installation Tool for G-85B and G-885 short-/mid-range nozzles	803700SP



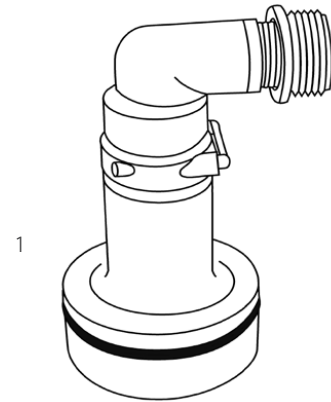
**G-900 SERIES RUBBER COVER KITS**

ITEM	DESCRIPTION	MODEL
1	Screw - cap retainer - all	351800SP
2	Logo cap - G-90 and G-990 - date codes 06/11 and prior only	103100
	Logo cap - G-95 and G-995 - also G-990 date codes 07/11 and after	103300
3	Ring - flange cover - G-990 and G-995	102400
4	Rubber Cover Kit, G-990; includes items 1, 2, and 3 - date codes 06/11 and prior only	473800
	Rubber Cover Kit, G-995; includes items 1, 2, and 3 - also G-990 date codes 07/11 and after	473900SP



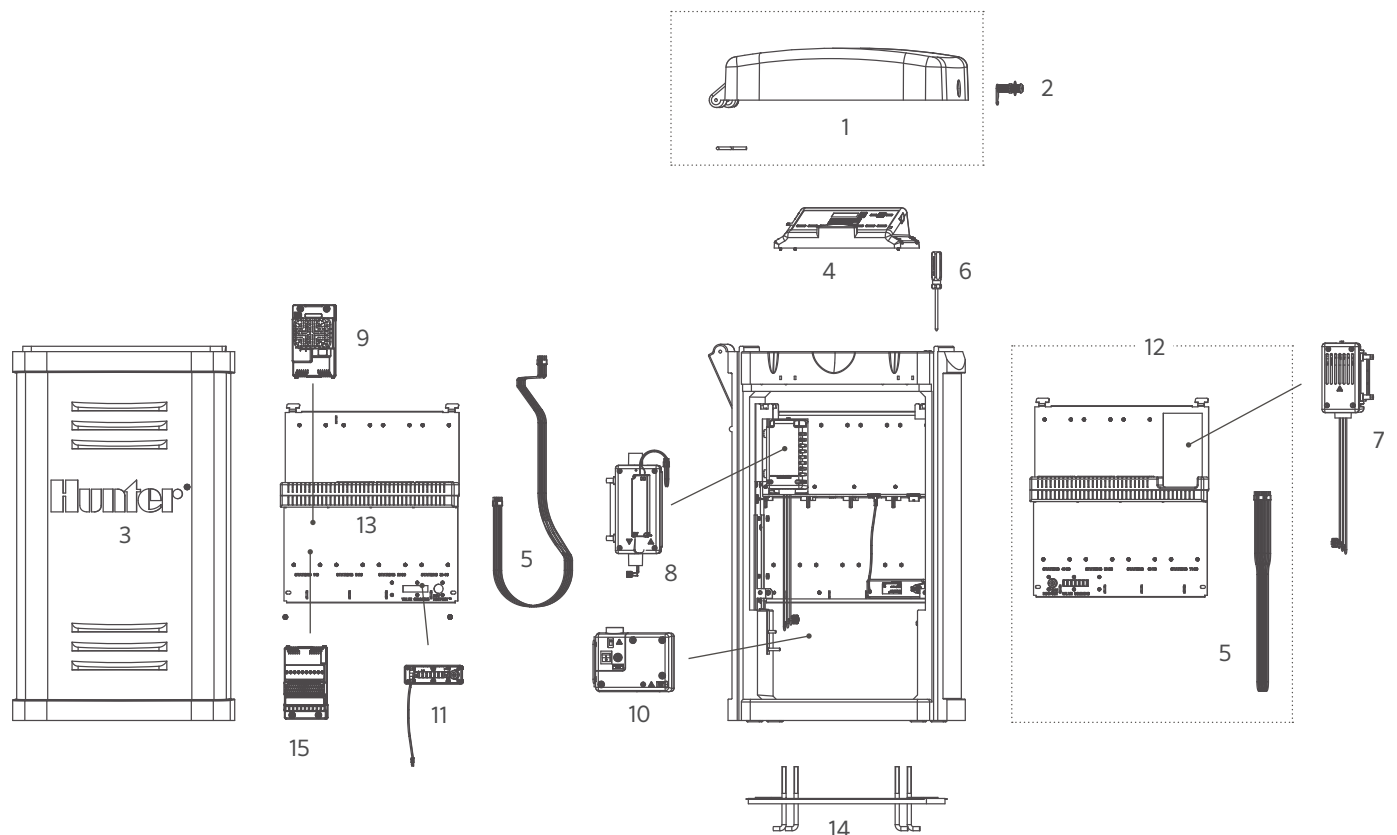
**HOSE SWIVEL ADAPTERS**

ITEM	DESCRIPTION	MODEL
1	O-ring for G90HS100	549500
	O-ring for G800HS100	549400



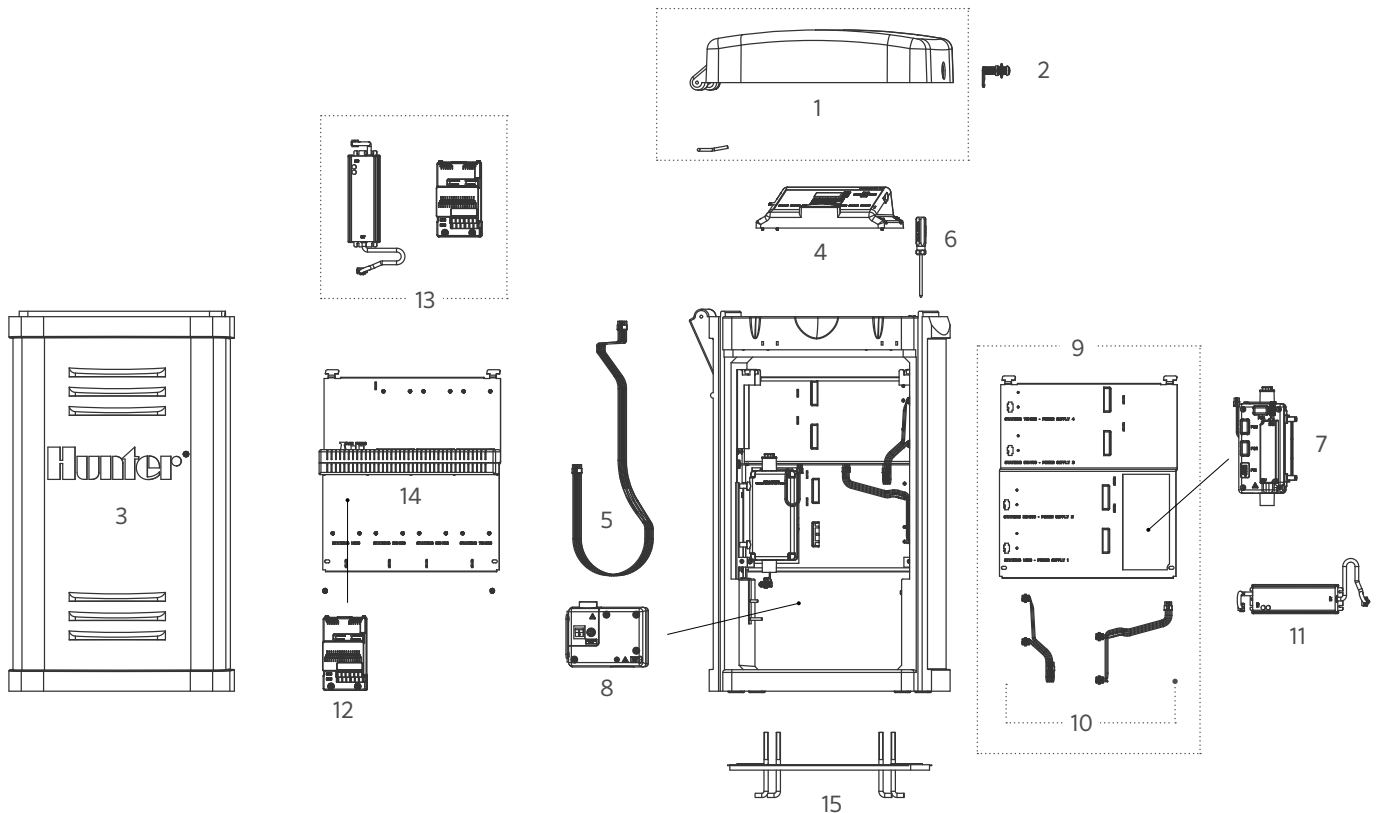
**PILOT-FC FIELD CONTROLLER PARTS**

ITEM	DESCRIPTION	MODEL
1	Lid Kit with hinge and lock	PIOTLIDKIT
2	Lid lock and keys	558000
3	Door with screens and envelope	PILOTDOORKT
4	FC facepack	PILOTFPFC
5	FP or backplane cable harness (black/white)	527300
6	Screwdriver	801300
7	Transformer assembly (main)	356100
8	DC power supply assembly (FC)	512700
9	Power module assembly (FC)	PILOTPOWER
10	Junction box including switch	427700
11	Terminal block assembly	412000
12	Backplane Kit including 527300 cable	PILOTFCBP
13	Front Plane Kit/midplane assembly	411600
14	Template with bolts	581700
15	10-station output module	PILOTFC010



## PILOT-DH INTEGRATED HUB PARTS

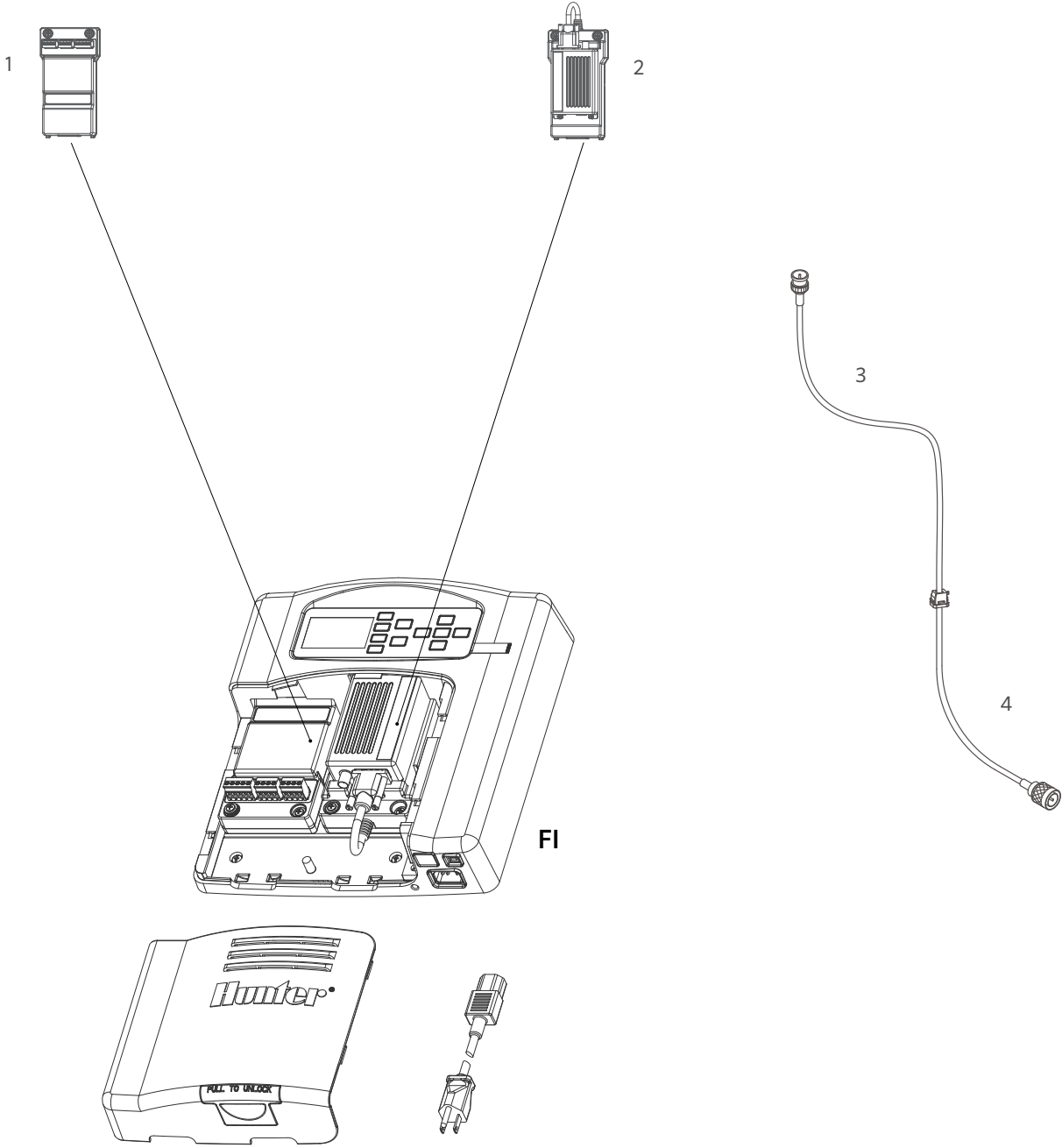
ITEM	DESCRIPTION	MODEL
1	Lid Kit with hinge and lock	PILOTLIDKIT
2	Lid lock and keys	558000
3	Door with screens and envelope	PILOTDOORKIT
4	DH facepack	PILOTFPDH
5	FP or backplane cable harness (black/white)	527300
6	Screwdriver	801300
7	DC power supply assembly (DH)	512701
8	Junction box including switch (DH)	427701
9	Backplane Kit DH including two Y-cables	795900
10	Backplane Y-cable harness (black/white/yellow)	815300
11	Pilot-DH Module power supply	805500
12	Pilot-DH Module only	PILOTDH250
13	Pilot-DH 250-Station Expansion Kit (module and power supply)	PILOTDH250EXP
14	Front Plane Kit DH (no harness) midplane assembly, screws	411601
15	Pedestal mounting template with bolts	581700



**COMMUNICATION PARTS FOR PILOT-FC, -DH, AND -FI**

ITEM	DESCRIPTION	MODEL
1	Hardwire COM module	PILOTHWR
2	Radio COM module	PILOTMODUHF
2	Radio COM module (A version)	PILOTMODUHFA
3	Radio antenna cable extension	516090
4	Strain relief bushing	504461
NS	Lid antenna for pedestal, UHF	IMMSANT2
NS	Antenna for wall or pole mount, UHF	IMMSANT3
NS	Directional antenna for pole mount, UHF	IMMSANTYAGI3
NS	High-gain omnidirectional mast antenna	RA5M

*NS = Not shown; image on the following page*



**CONVENTIONAL CONTROLLER COMPONENTS (Obsolete Models)**

ITEM	DESCRIPTION	MODEL
1	VSX Keypad Facepack Kit	VFCKTFP
2	Genesis Keypad Facepack Kit	GFCKTFP
3	Triac board	TB10
4	10-station lightning protection/output board	LPB10
5	PSB1 power cable assembly	516140
6	Communications board wire harness	516141
7	Adapter cable - communications board	516237

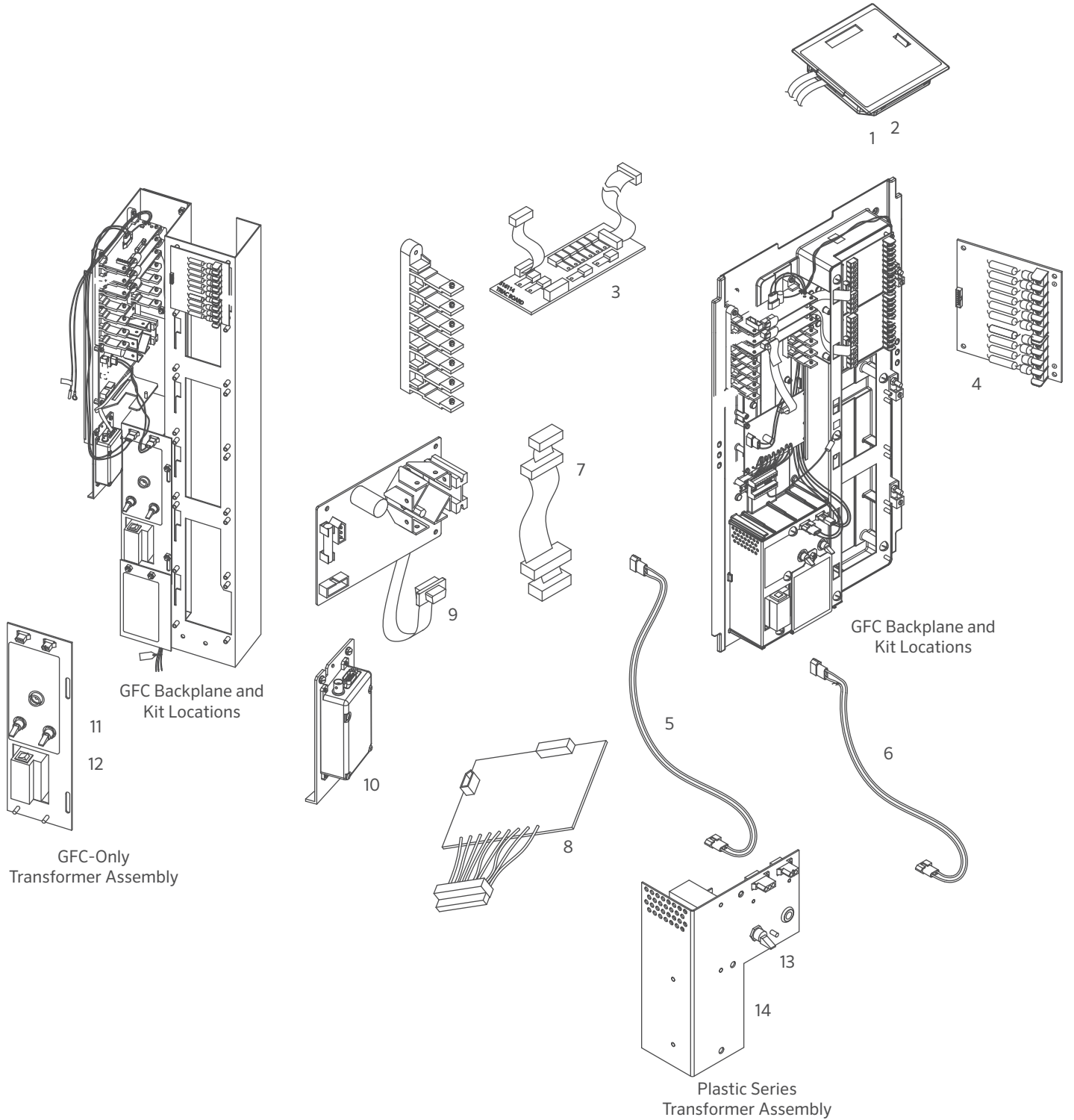
**COMMUNICATION MODULES**

ITEM	DESCRIPTION	MODEL
9	Hardwire replacement communications board	GFCKTCBHW
10	Radio replacement communications board (New RADIO2KT only)	GFCKTCBR2
NS	Remote stealth antenna mount (includes antenna)	RASREM
11	Radio module, synthesized	RADIO2KT

**TRANSFORMER OPTIONS**

ITEM	DESCRIPTION	MODEL
12	Transformer Kit, 110 VAC (GFC Series only)	GFCKTTFR1
13	Transformer Kit, 220 VAC (GFC Series only)	GFCKTTFR1SV
14	Transformer Kit, 110 VAC (plastic controllers)	FCPKTTFR2
15	Transformer Kit, 220 VAC (plastic controllers)	FCPKTTFR2SV

*NS = Not shown; image on the following page  
 Obsolete models; replaced with Pilot in 2013  
 Production discontinued in 2023*





**DECODER CONTROLLER COMPONENTS (Obsolete Models)**

ITEM	DESCRIPTION	MODEL
1	VSX Keypad Facepack Kit	VFCKTFP
2	Genesis Keypad Facepack Kit	GFCKTFP
3	Decoder Power Supply Board Kit	VKTPSB2
4	Decoder lightning/output board	VLPTKT
5	Decoder CPU board	VCPUKT
6	Decoder transmitter board	VTRNSKT
7	RJ45 cable	516238
8	Power supply board wire harness	516140
9	Adapter cable – communications board	516237
10	Transmitter cable	516143
11	Communications board wire harness	516141

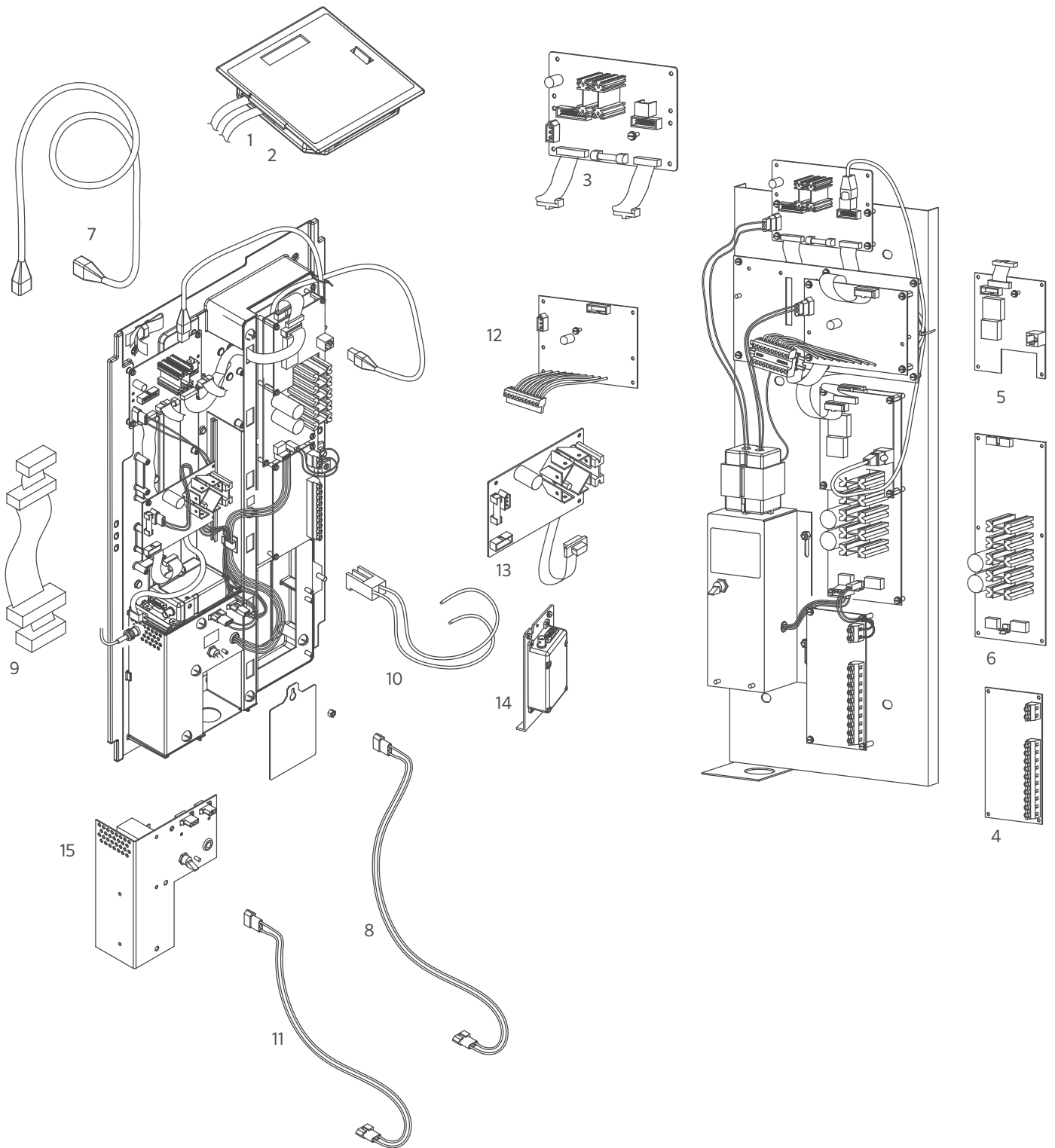
**COMMUNICATION MODULES**

ITEM	DESCRIPTION	MODEL
12	Hardwire replacement communications board	GFCKTCBHW
13	Radio replacement communications board (New RADIO2KT only)	GFCKTCBR2
NS	Remote stealth antenna mount (includes antenna)	RASREM
14	Radio module, synthesized	RADIO2KT

**TRANSFORMER OPTIONS**

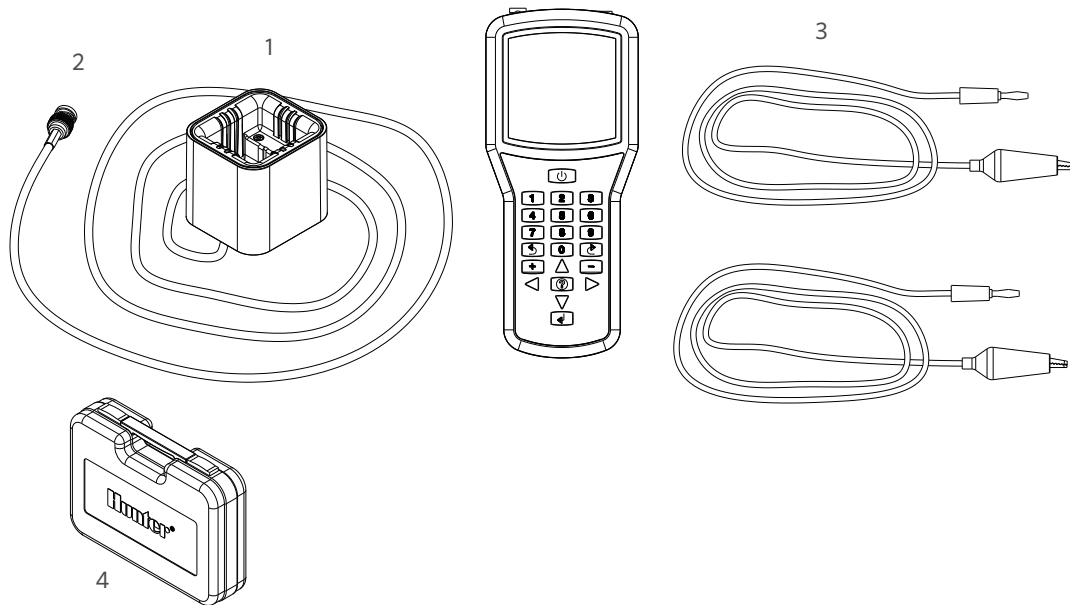
ITEM	DESCRIPTION	MODEL
15	Decoder Transformer Kit, 110 VAC (plastic controllers)	FCPVKTTFR2

*NS = Not shown; image on the following page  
 Obsolete models; replaced with Pilot in 2013  
 Production discontinued in 2023*



**ICD-HP COMPONENTS**

ITEM	DESCRIPTION	MODEL
1	Programming cup	177600
2	Programming cable 6' (2 m) with connectors	180504
3	Red and blue 6' (2 m) leads	180508
4	Carrying case	205800



# WARRANTY

## Hunter Golf Irrigation Component\* Warranty Products

Hunter will unconditionally repair, replace, or repurchase, at its sole discretion, any defective component\* assemblies contained within the Golf products listed below by category, returned freight prepaid, from the date of manufacture within a period of:

<b>ONE YEAR</b>	<b>GOLF CONTROLLERS</b>	Pilot Command Center Software, Pilot-FC, Pilot-FI, Pilot Hub
<b>THREE YEARS</b>	<b>GOLF ROTORS</b>	TTS-800 Series, G-800 Series, G-900 Series, B Series
	<b>GOLF DECODERS</b>	Pilot 100, Pilot 200, Pilot 400, Pilot 600
<b>FIVE YEARS</b>	<b>GOLF ROTORS</b>	The golf rotor component warranty is extended to five (5) years with a one-for-one purchase of an HSJ Swing Joint from an authorized Hunter Golf distributor.
	<b>SWING JOINTS</b>	HSJ-0, HSJ-1, HSJ-2, HSJ-3
	<b>COMPUTER, PRINTERS AND ACCESSORIES, MAINTENANCE RADIO AND BATTERY</b>	Equipment manufacturer's warranty (no Hunter warranty)

\* Warranty covers repair, replacement, or repurchase of individual defective component assemblies contained within the product. Returns of complete finished goods are not allowed under warranty without prior approval from the Hunter Product Manager.

If used for agricultural applications, Hunter limits the warranty for its spray, rotator, and rotor products to a period of one (1) year from the original date of manufacture. This agriculture limitation supersedes all other warranties expressed or implied.

If a defect in a Hunter product is discovered during the applicable warranty period, Hunter will repair or replace, at its option, the product or the defective part. This warranty does not extend to repairs, adjustments, or replacement of a Hunter product or part that results from misuse, negligence, alteration, modification, tampering, or improper installation and/or maintenance of the product. This warranty extends only to the original installer of the Hunter product. If a defect arises in a Hunter product during the warranty period, contact your local Hunter Authorized Distributor.

Hunter's warranty applies only to products installed as specified and used as intended for irrigation purposes. Hunter's warranty shall be limited to defects in materials and workmanship during the warranty period, and shall not extend to situations in which the product was subjected to improper design, installation, operation, maintenance, application, abuse, improper electrical current, grounding, service other than by Hunter authorized agents, operating conditions other than that for which it was designed, or in systems using water containing corrosive chemicals, electrolytes, sand, dirt, silt, rust, or agents that otherwise attack and degrade plastics. Hunter's warranty does not cover component failures caused by lightning strikes, electrical power surges, or unconditioned power supplies. If products are repurchased, the price to Distributor for such products in effect at the time of return will apply.

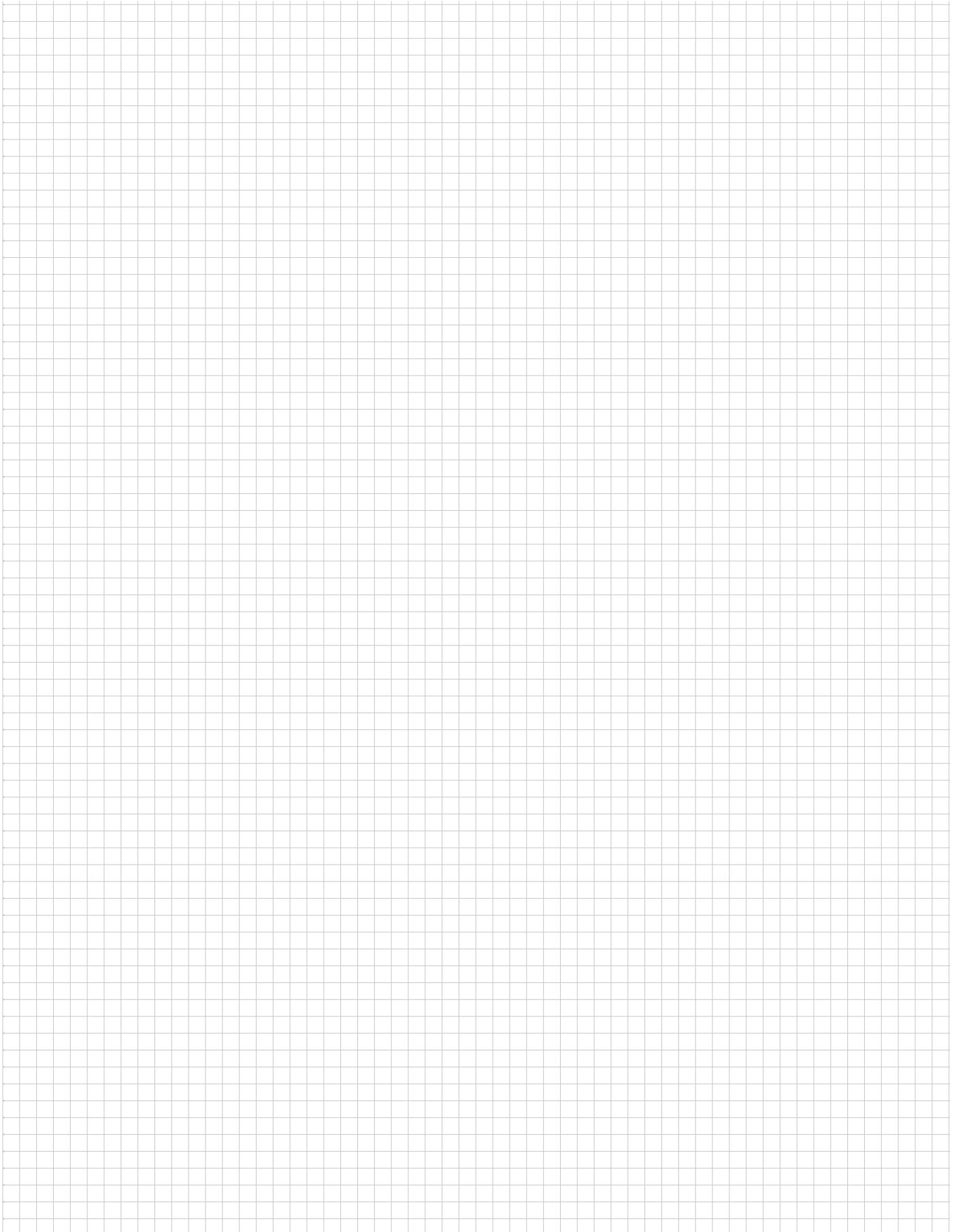
Hunter's obligation to repair, replace, or repurchase its products or product components as set forth above is the sole and exclusive warranty extended by Hunter. There are no other warranties, expressed or implied, including warranties of merchantability and warranties of fitness for a particular purpose. Hunter will not be liable to a distributor or to any other party in strict liability, tort, contract, or any other manner for any damages caused or claimed to be caused as a result of any design of or defect in Hunter's products, or for any special, incidental, or consequential damages of any nature.

Where applicable, Hunter's statement of warranty complies with local directives.

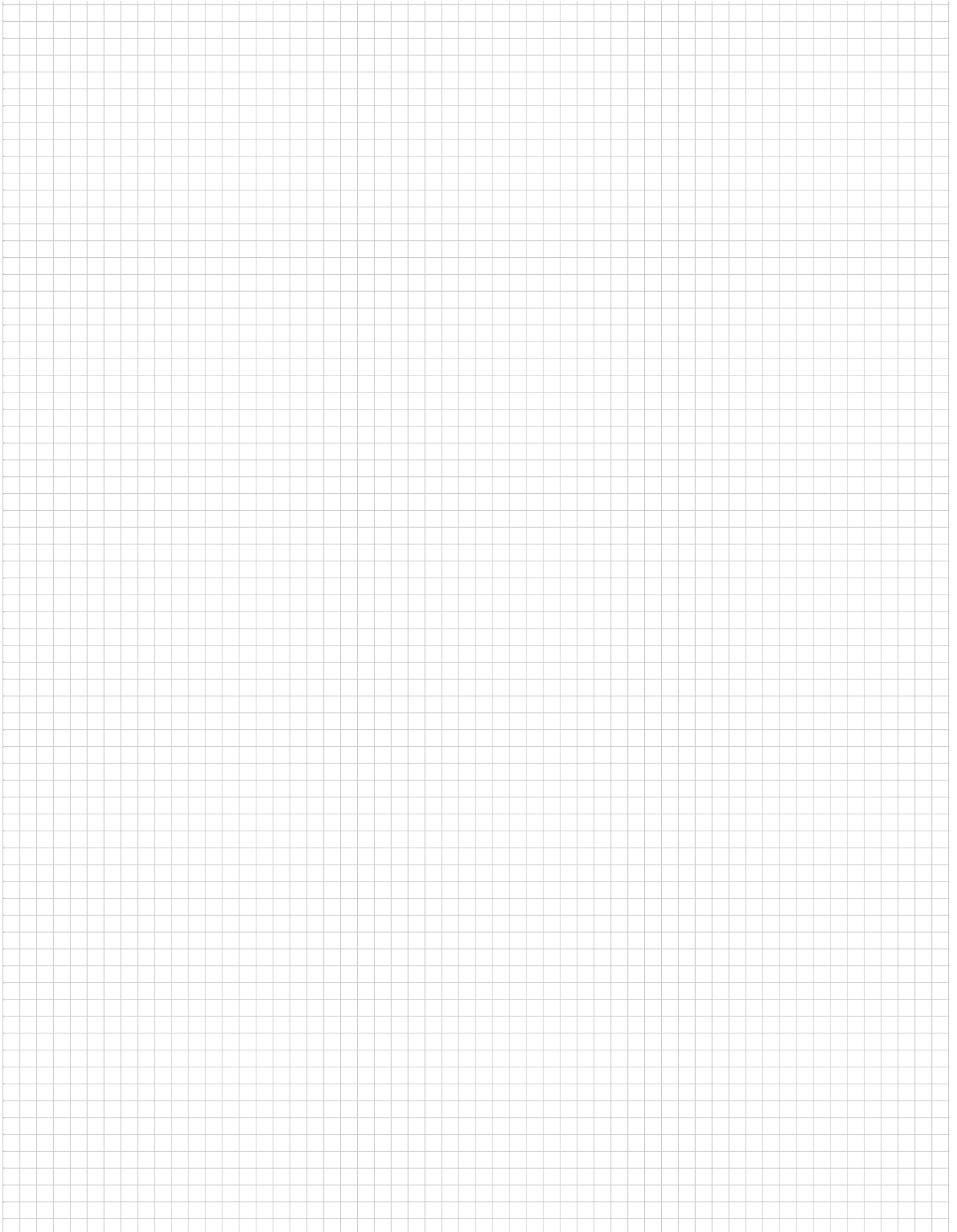
**If you have questions concerning the warranty or its application, email [support@hunterindustries.com](mailto:support@hunterindustries.com).**

### ASAE CERTIFICATION STATEMENT

Hunter Industries Incorporated certifies that pressure, flow rate, and radius data for these products were determined and listed in accordance with ASAE Standard S398.1, Procedure for Sprinkler Testing and Performance Reporting, and are representative of performance of production sprinklers at the time of publication. Actual product performance may differ from the published specifications due to normal manufacturing variations and sample selection. All other specifications are solely the recommendation of Hunter Industries Incorporated.



A large grid of graph paper for taking notes, consisting of approximately 30 columns and 40 rows of small squares.





Hunter Industries has been on the forefront of golf course irrigation technology for more than three decades. We build performance, reliability, and serviceability into every product. From industry-leading rotors renowned for their durability and distribution uniformity to our robust Pilot® Control Network, we take pride in providing golf professionals with the tools and support they need to conceptualize, create, and manage world-class golf courses. Learn more at [hunterindustries.com/golf](http://hunterindustries.com/golf).

Gregory R. Hunter, CEO of Hunter Industries

Denise Mullikin, President, Landscape Irrigation and Outdoor Lighting

Website [hunterindustries.com](http://hunterindustries.com) | Customer Support +1-800-383-4747

#### USA HEADQUARTERS

1940 Diamond Street  
San Marcos, CA 92078 USA  
TEL: +1-760-744-5240

#### MEXICO

ISO 9001:2015 Certified  
Calle Nordika #8615  
Colonia la Joya  
Parque Industrial Nordika  
Tijuana, B.C., Mexico CP 22640  
TEL: +011-52-664-903-1382

#### EUROPE

Avenida Diagonal 523, 5o-2a  
Edificio Atalaya  
08029 Barcelona, Spain  
TEL: +34-9-34-94-88-81

#### AUSTRALIA

50 Lynch Street  
Hawthorn, VIC 3122, Australia  
TEL: +61-3-9562-9918 (outside Australia)  
TEL: +1-800-438-486

#### MIDDLE EAST

P.O. Box 2370  
Amman, 11941, Jordan  
TEL: +962-6-5152882  
FAX: +962-6-5152992

#### CHINA

B1618, Huibin Plaza  
No. 8, Beichen Dong Street  
Beijing 100101, China  
TEL/FAX: +86-10-84975146