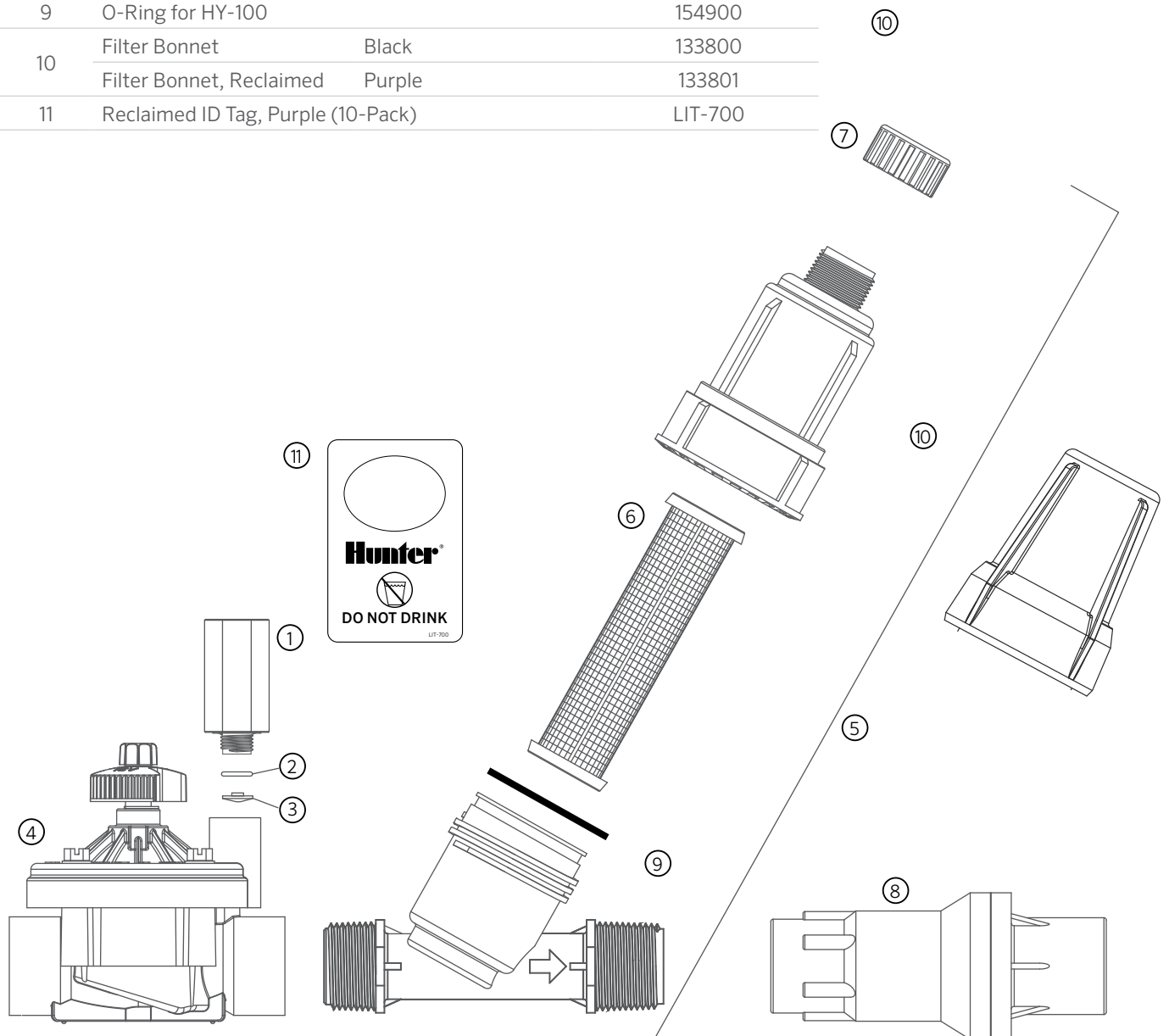


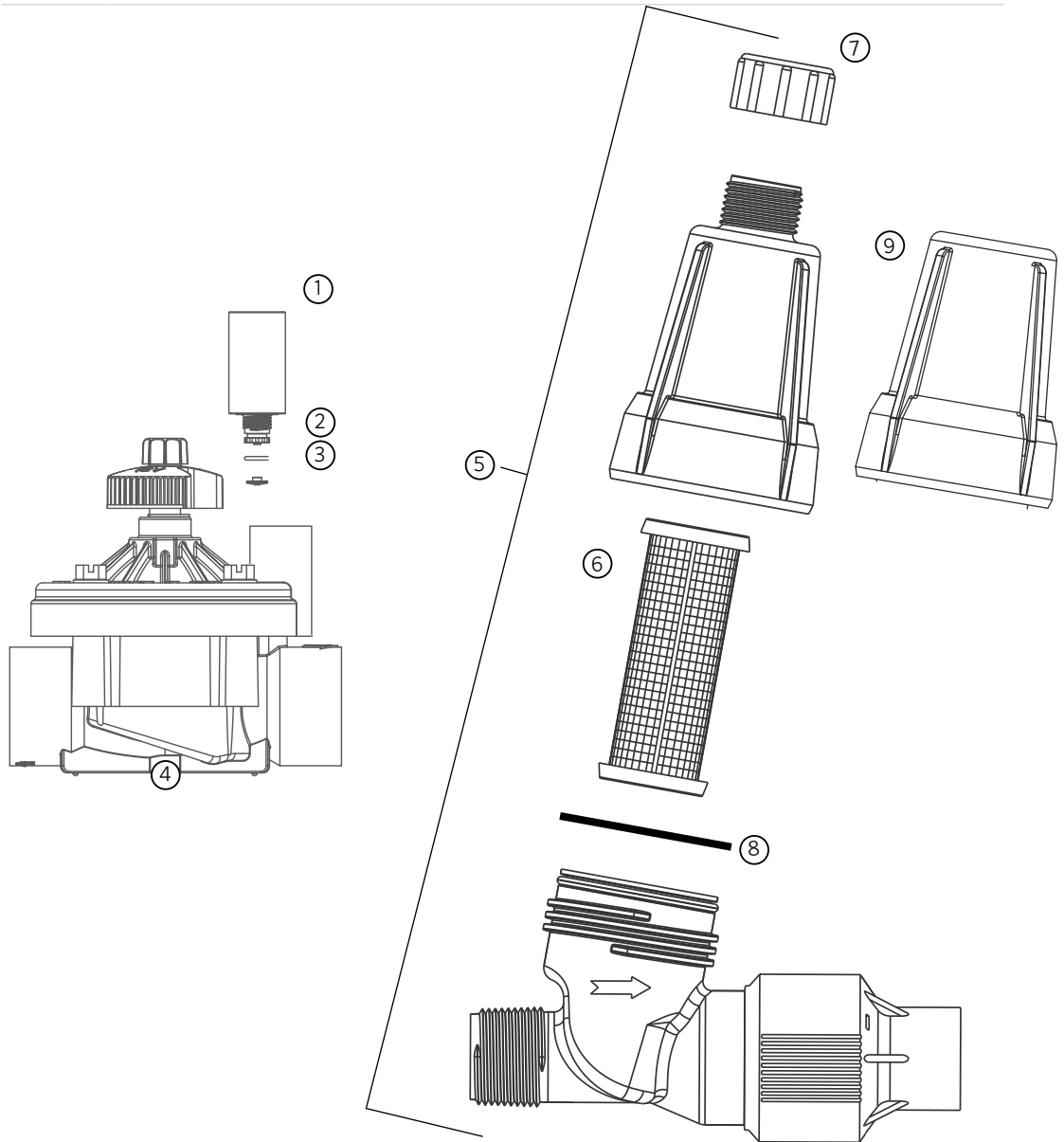
ICZ-101: DRIP CONTROL ZONE KIT

ITEM	DESCRIPTION		CATALOG NO.
1	Solenoid Assembly (Includes Items 2 & 3)	AC Solenoid	606800
		DC-Latching Solenoid	458200
2	O-Ring (25-pack)		262600SP
3	Solenoid Seal		364400
4	ICV-101G-FS Valve		ICV-101G-FS
5	1" (25 mm) Male x 1" (25 mm) Male NPT Wye Filter Assembly		HY-100
6	Stainless Steel Screen	150-Mesh	606200SP
7	Flush Cap With O-Ring		651900
8	1" (25 mm) Female x 1" (25 mm) Female NPT Pressure Regulator	25 PSI (1.7 bar; 170 kPa)	606000
		40 PSI (2.8 bar; 280 kPa)	652100
9	O-Ring for HY-100		154900
10	Filter Bonnet	Black	133800
	Filter Bonnet, Reclaimed	Purple	133801
11	Reclaimed ID Tag, Purple (10-Pack)		LIT-700



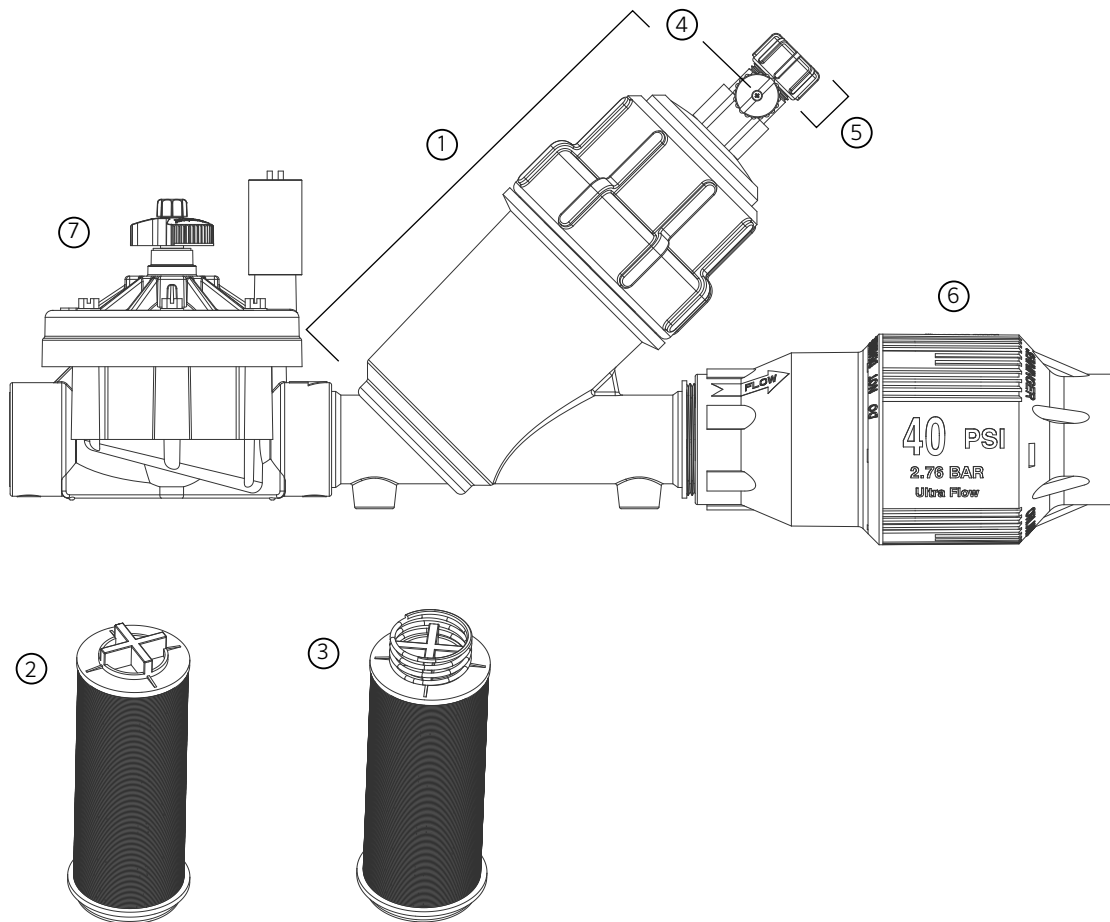
ICZ-101-LF: DRIP CONTROL ZONE KIT

ITEM	DESCRIPTION		CATALOG NO.
1	Solenoid Assembly (Includes Parts 2 & 3)	AC Solenoid	606800
		DC-Latching Solenoid	458200
2	O-Ring (25-pack)		262600SP
3	Solenoid Seal		364400
4	ICV-101G Valve		ICV-101G
5	Filter/Regulator Assembly, 1" (25 mm) x 3/4" (20 mm)		HFR-100-075-XX (XX is 25 or 40 PSI; 1.7 or 2.8 bar; 170 or 280 kPa)
6	Stainless Steel Screen	150-Mesh	809300SP
7	Flush Cap with O-Ring		651900
8	O-Ring for HFR-100-075		154900
9	Filter Bonnet (No Cap) (Not Shown)	Black	133800
	Filter Bonnet, Reclaimed	Purple	133801



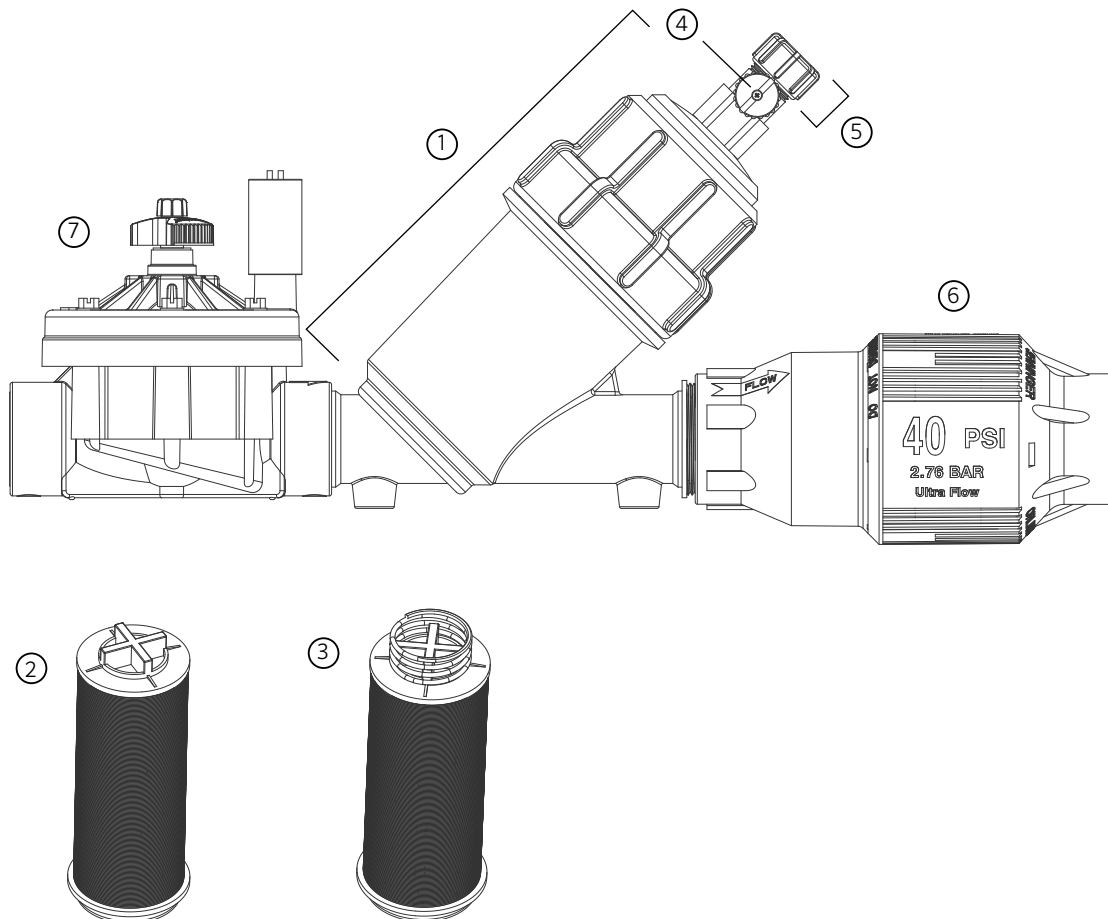
ICZ-151: DRIP CONTROL ZONE KIT

ITEM	DESCRIPTION	CATALOG NO.
1	Filter Assembly With 150-Mesh SS Screen	HY-151
	Spare – Stainless Steel Screen, 150-Mesh (Standard)	HY151SCREEN150
2	Spare – Stainless Steel Screen, 120-Mesh	HY151SCREEN120
	Spare – Stainless Steel Screen, 80-Mesh	HY151SCREEN080
3	Spare – Disc 125 Micron, 120-Mesh	HY151DISC120
4	Flush Valve	995500SP
5	Flush Cap With O-Ring	651900
6	Senninger 2" (50 mm) Inlet/Outlet Regulator at 40 PSI (2.8 bar; 280 kPa)	PRU-40
7	ICV-151G-FS Valve	ICV-151G-FS



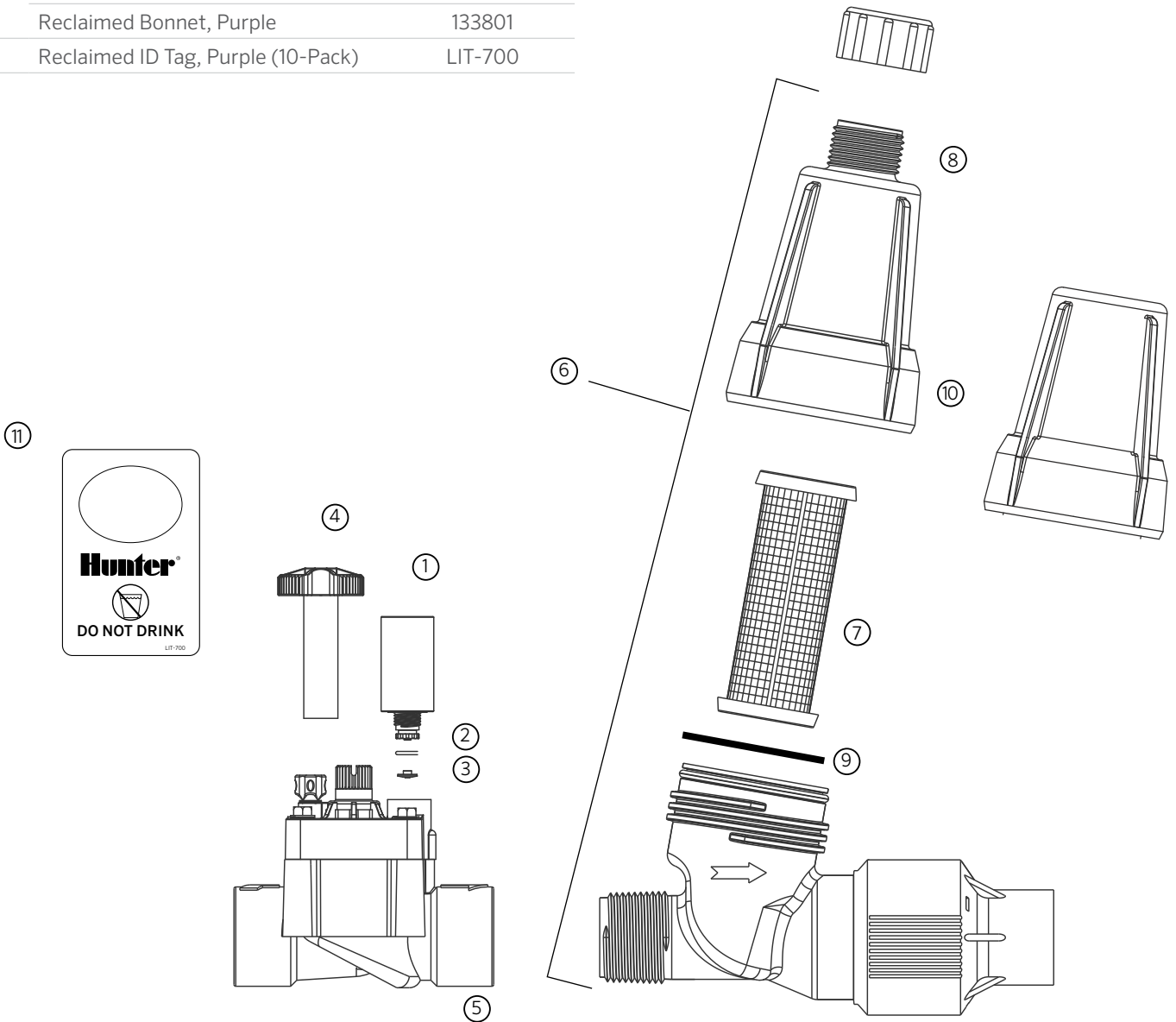
ICZ-201: DRIP CONTROL ZONE KIT

ITEM	DESCRIPTION	CATALOG NO.
1	Filter Assembly With 150-Mesh Stainless Steel Screen	HY-201
	Filter Assembly With 120-Mesh Stainless Steel Disc	HY-201-D
2	Spare Stainless Steel Screen, 150-Mesh (Standard)	HY201SCREEN150
	Spare Stainless Steel Screen, 120-Mesh	HY201SCREEN120
	Spare Stainless Steel Screen, 80-Mesh	HY201SCREEN080
3	Spare Spare 125-Micron Disc, 120-Mesh	HY201DISC120
4	Flush Valve (Optional)	995500SP
5	Flush Cap With O-Ring	651900
6	Senninger 2" (50 mm) Inlet/Outlet Regulator at 40 PSI (2.8 bar; 280 kPa)	PRU-40
7	ICV-201G-FS Valve	ICV-201G-FS



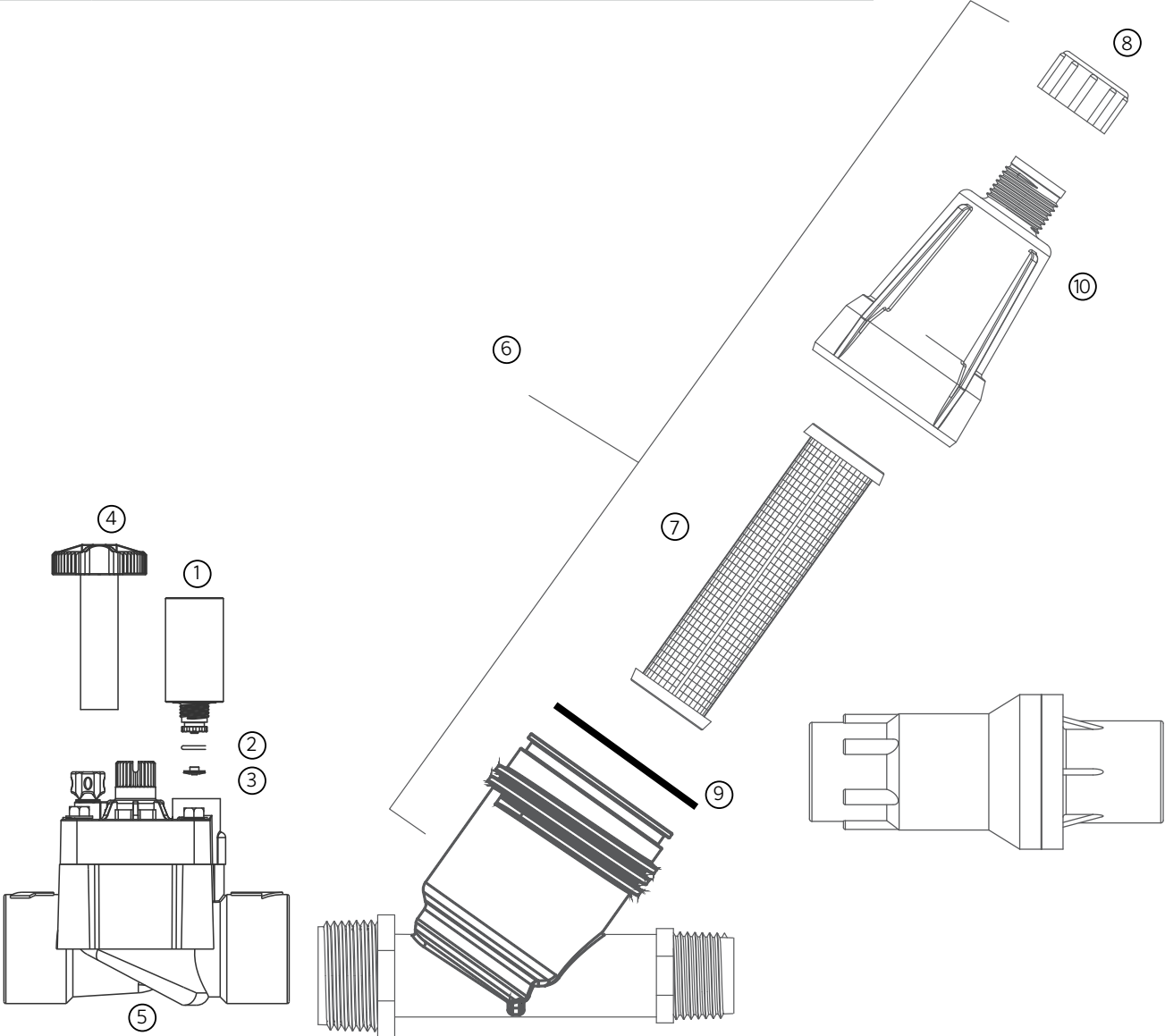
PCZ-101: DRIP CONTROL ZONE KIT

ITEM	DESCRIPTION	CATALOG NO.	
1	Solenoid Assembly (Includes Items 2 & 3)	AC Solenoid	606800
		DC- Latching Solenoid	458200
2	O-Ring	262600	
3	Solenoid Seal	364400	
4	Handle Flow Control	269200	
5	PGV-101G Valve	PGV101G	
6	Filter/Regulator Assembly	HFR-100-075-25	
		HFR-100-075-40	
7	Stainless Steel Screen, 150-Mesh	809300SP	
8	Flush Cap with O-Ring	651900	
9	O-Ring for HFR-100-075	154900	
10	Filter Bonnet (No Cap)		133800
		Reclaimed Bonnet, Purple	133801
11	Reclaimed ID Tag, Purple (10-Pack)	LIT-700	



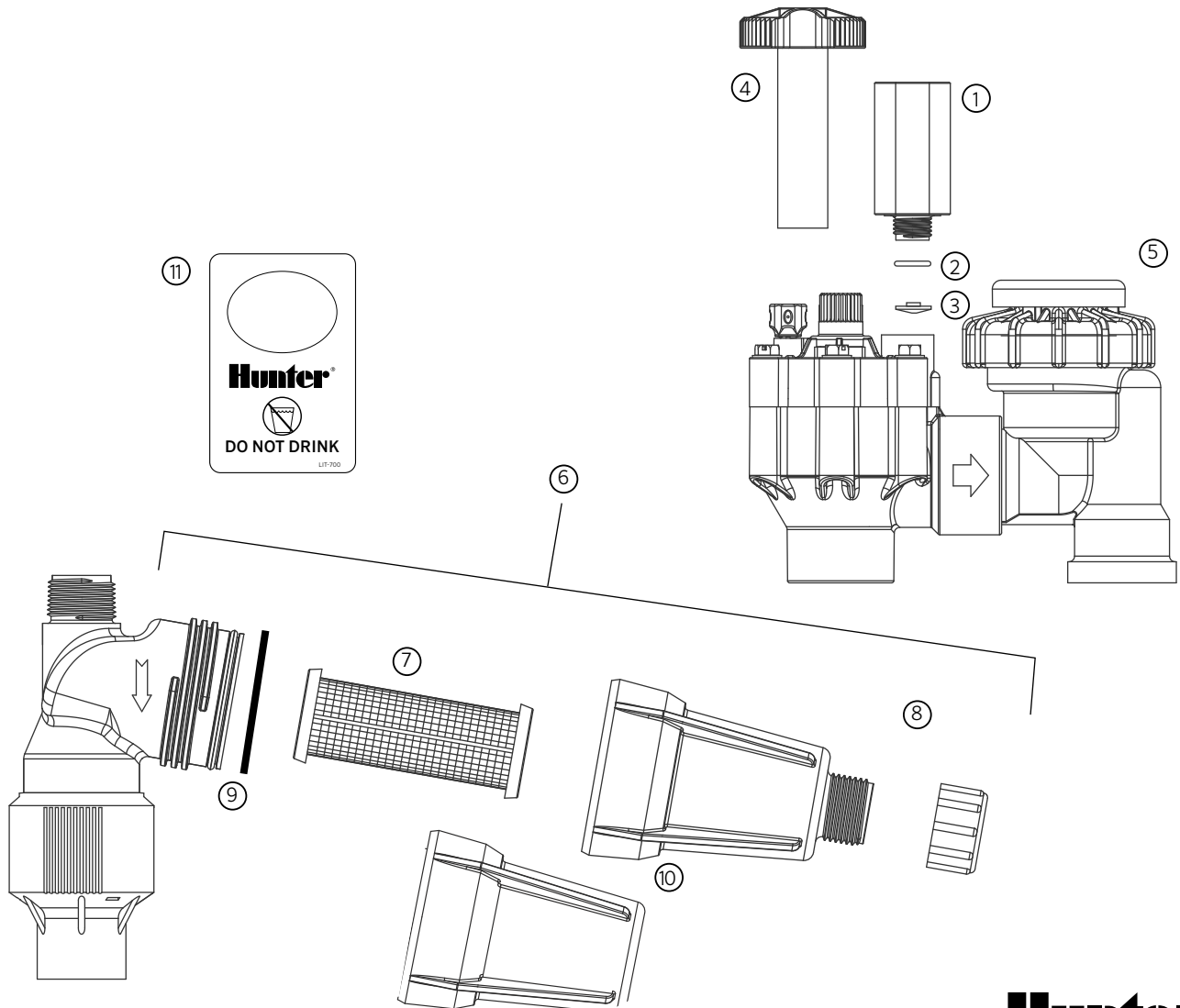
PCZ-101: DRIP CONTROL ZONE KIT (BEFORE JANUARY 2014)

ITEM	DESCRIPTION	CATALOG NO.
1	Solenoid Assembly (Includes Items 2 & 3)	AC Solenoid 606800
		DC-Latching Solenoid 458200
2	O-Ring	262600
3	Solenoid Seal	364400
4	Handle Flow Control Black	269200
5	PGV-101G Valve	PGV-101G
6	1" (25 mm) Male x ¾" (20 mm) Male NPT Wye Filter Assembly	HY-100-075-XX (XX is 25 or 40 PSI; 1.7 or 2.8 bar; 170 or 280 kPa)
7	Stainless Steel Screen, 150-Mesh	606200SP
8	Flush Cap With O-Ring	651900
9	O-Ring for HY-100	154900
10	Filter Bonnet (No Cap) Black	133800



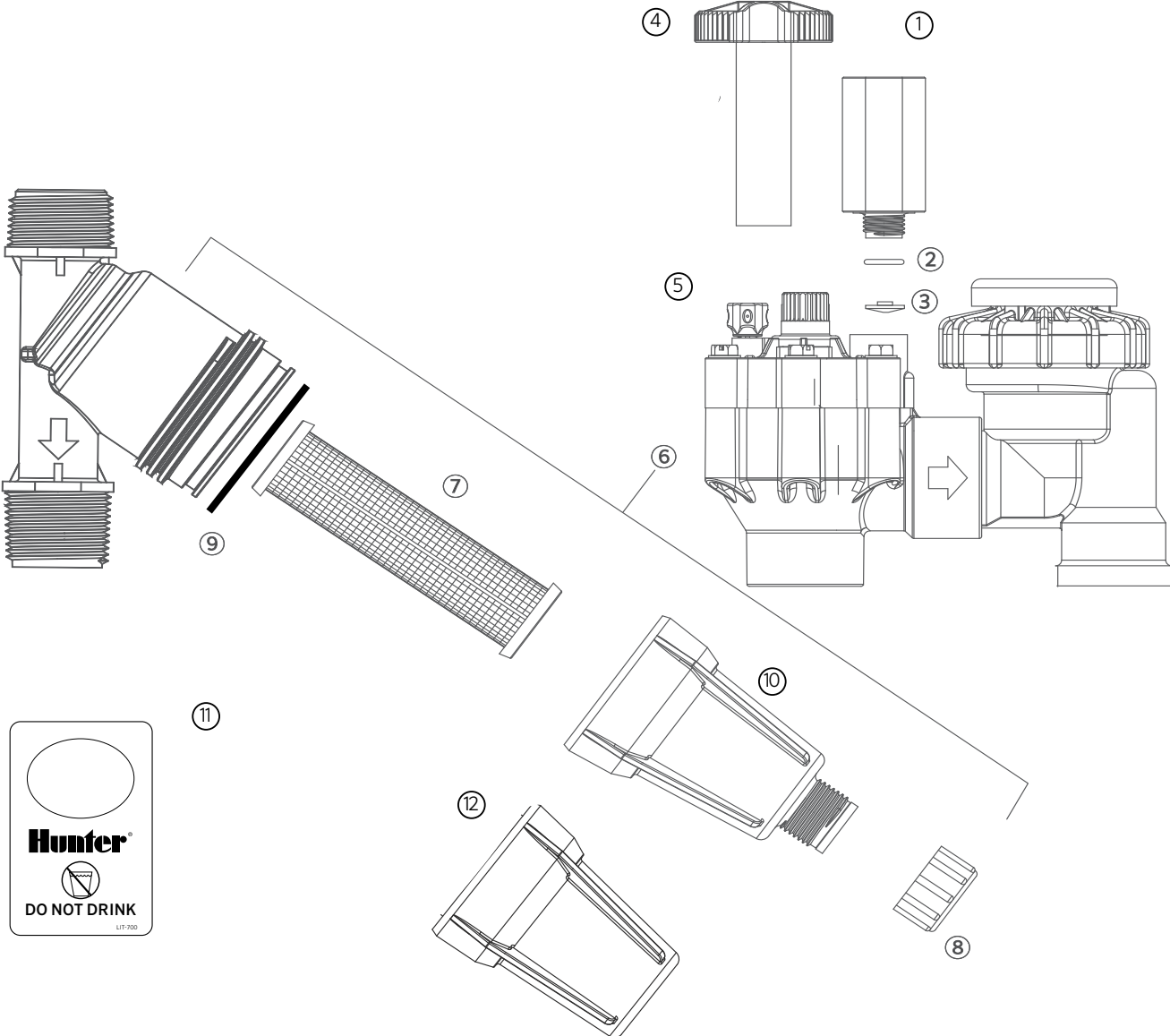
ACZ-075: DRIP CONTROL ZONE KIT

ITEM	DESCRIPTION		CATALOG NO.
1	Solenoid Assembly (Includes Items 2 & 3)	AC Solenoid	606800
		DC-Latching Solenoid	458200
2	O-Ring		262600
3	Solenoid Seal		364400
4	Handle Flow Control	Black	269200
5	¾" (20 mm) PGV-ASV Valve		PGV-075-ASV
6	Filter/Regulator Assembly	25 PSI (1.7 Bar; 170 kPa)	HFR-075-25
		40 PSI (2.8 Bar; 280 kPa)	HFR-075-40
7	Stainless Steel Screen	150-Mesh	809300SP
8	Flush Cap with O-Ring		651900
9	O-Ring for HFR-075		154900
10	Filter Bonnet (No Cap)	Black	133800
		Purple	133801
11	Reclaimed ID Tag (10-Pack)	Purple	LIT-700



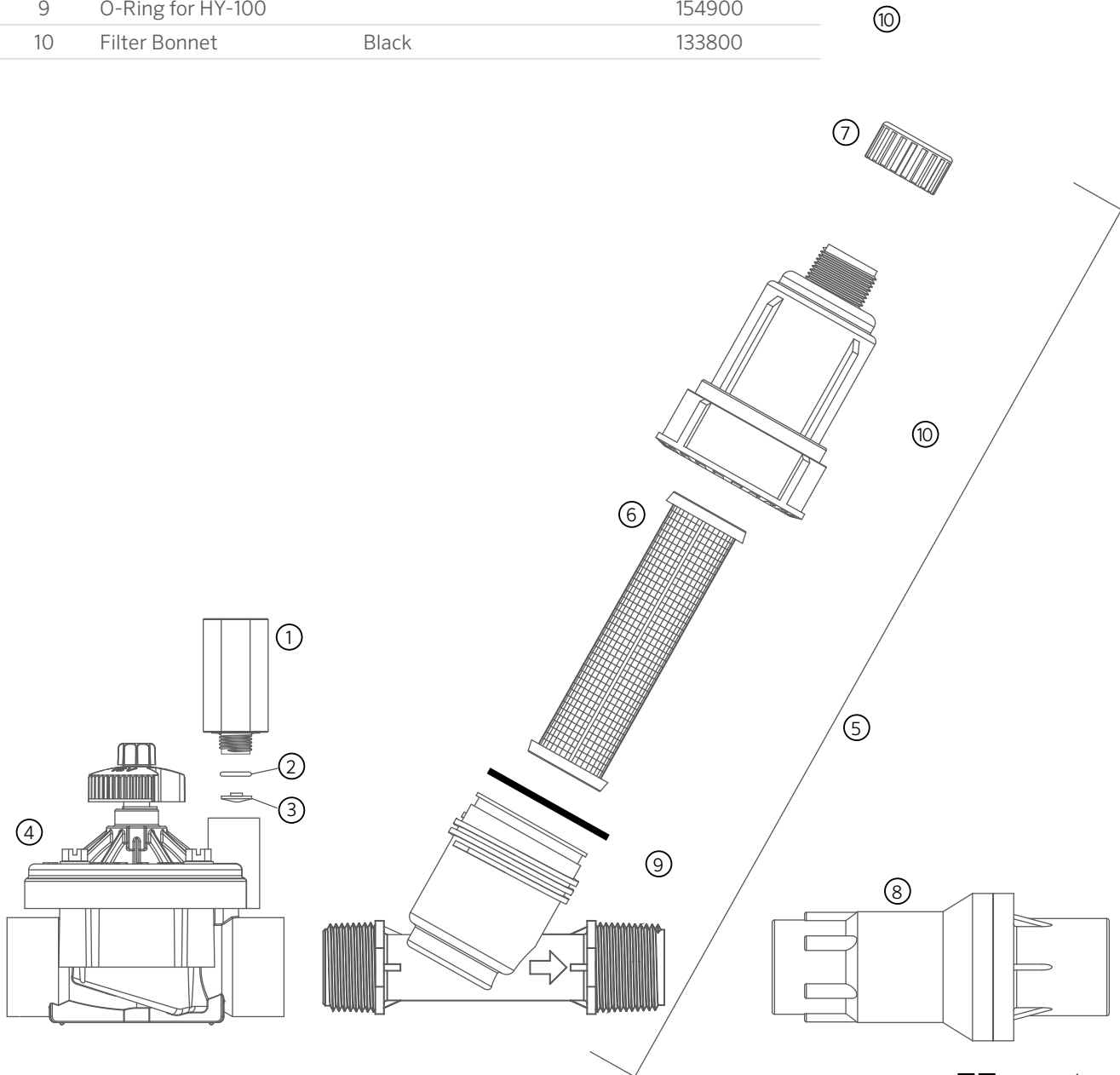
ACZ-075: DRIP CONTROL ZONE KIT (BEFORE JANUARY 2014)

ITEM	DESCRIPTION		CATALOG NO.
1	Solenoid Assembly (Includes Items 2 & 3)	AC Solenoid	434100
		DC-Latching Solenoid	458200
2	O-Ring		262600
3	Solenoid Seal		364400
4	Handle Flow Control	Black	269200
5	¾" (20 mm) PGV-ASV Valve		PGV-075-ASV
6	¾" (20 mm) Male x ¾" (20 mm) Male NPT Wye Filter Assembly		HY-075
7	Stainless Steel Screen	150-Mesh	606200
8	Flush Cap With O-Ring		651900
9	O-Ring for HY-100		154900
10	Filter Bonnet (No Cap)	Black	133800
11	Reclaimed ID Tag	Purple	LIT-700
12	Reclaimed Filter Bonnet	Purple	133801



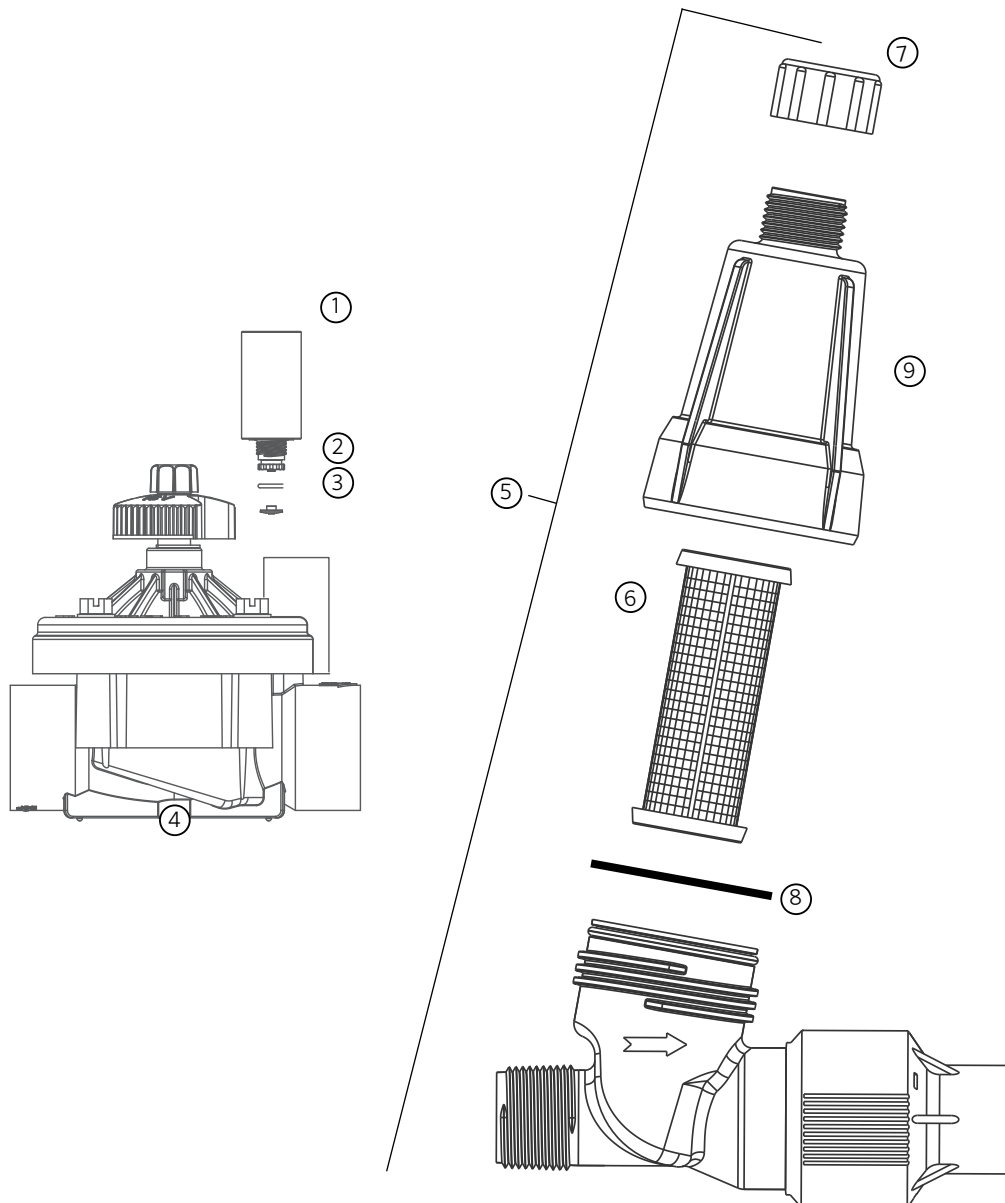
IBZ-101: BRASS VALVE DRIP CONTROL ZONE KIT

ITEM	DESCRIPTION		CATALOG NO.
1	Solenoid Assembly (Includes Items 2 & 3)	AC Solenoid	606800
		DC-Latching Solenoid	458200
2	O-Ring		262600
3	Solenoid Seal		364400
4	IBV-101G-FS Valve		IBV-101G-FS
5	1" (25 mm) Male x 1" (25 mm) Male NPT Wye Filter Assembly		HY-100
6	Stainless Steel Screen	150-Mesh	606200SP
7	Flush Cap With O-Ring		651900
8	1" (25 mm) Female x 1" (25 mm) Female NPT Pressure Regulator	25 PSI (1.7 bar; 170 kPa)	606000
		40 PSI (2.8 bar; 280 kPa)	652100
9	O-Ring for HY-100		154900
10	Filter Bonnet	Black	133800



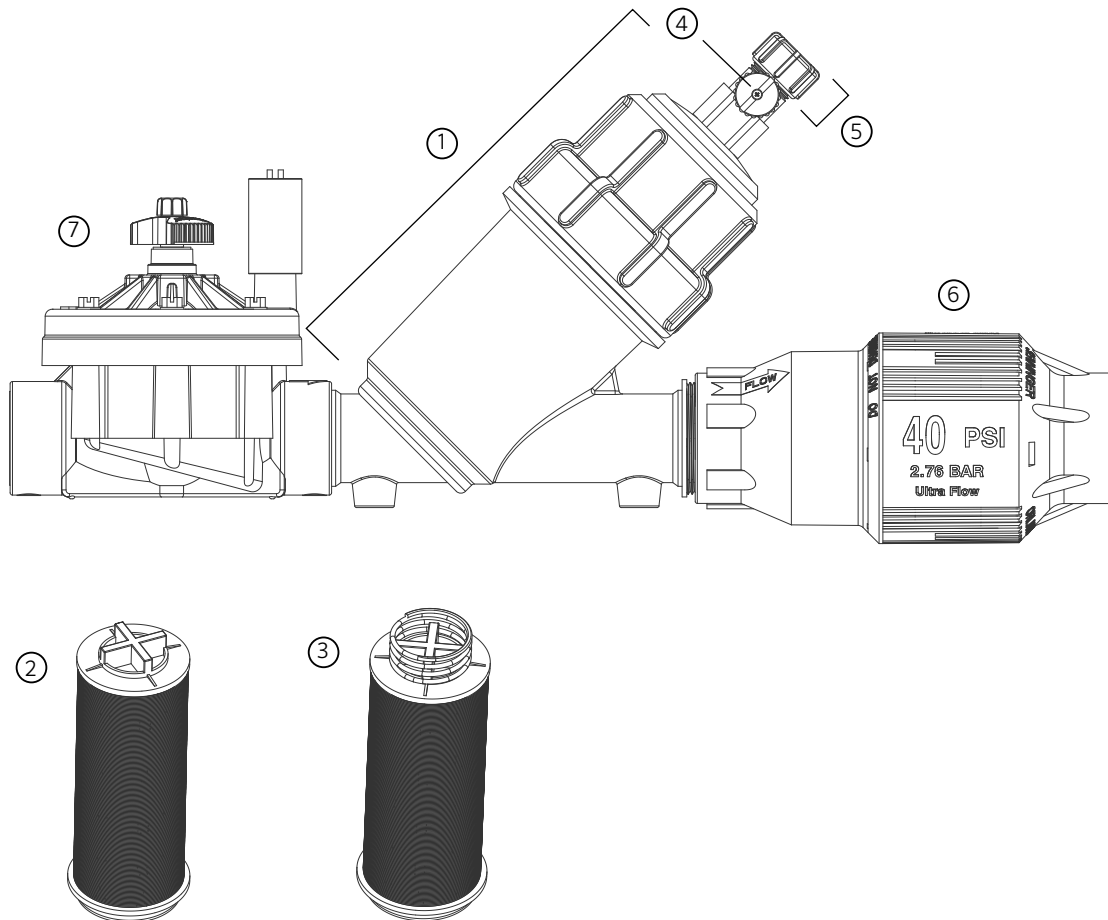
IBZ-101-LF: BRASS VALVE DRIP CONTROL ZONE KIT

ITEM	DESCRIPTION		CATALOG NO.
1	Solenoid Assembly (Includes Items 2 & 3)	AC Solenoid	606800
		DC-Latching Solenoid	458200
2	O-Ring		262600
3	Solenoid Seal		364400
4	IBV-101G-FS Valve		IBV-101G-FS
5	Filter/Regulator Assembly, 1" (25 mm) x 3/4" (20 mm)		HFR-100-075-XX (XX is 25 or 40 PSI; 1.7 or 2.8 bar; 170 or 280 kPa)
6	Stainless Steel Screen	150-Mesh	809300SP
7	Flush Cap With O-Ring		651900
8	O-Ring for HFR-100-075		154900
9	Filter Bonnet (No Cap)	Black	133800



IBZ-151: BRASS VALVE DRIP CONTROL ZONE KIT

ITEM	DESCRIPTION	CATALOG NO.
1	Filter Assembly With 150-Mesh SS Screen	HY-151
	Filter Assembly With 120-Mesh SS Disc	HY-151-D
2	Spare Stainless Steel Screen, 150-Mesh (Standard)	HY151SCREEN150
	Spare Stainless Steel Screen, 120-Mesh	HY151SCREEN120
	Spare Stainless Steel Screen, 80-Mesh	HY151SCREEN080
3	Spare 125-Micron Disc, 120-Mesh	HY151DISC120
4	Flush Valve (Optional)	995500SP
5	Flush Cap With O-Ring	651900
6	Senninger 2" (50 mm) Inlet/Outlet Regulator at 40 PSI (2.8 bar; 280 kPa)	PRU-40
7	IBZ-151G-FS Valve	IBZ-151G-FS



IBZ-201: BRASS VALVE DRIP CONTROL ZONE KIT

ITEM	DESCRIPTION	CATALOG NO.
1	Filter Assembly With 150-Mesh SS Screen	HY-201
	Filter Assembly With 120-Mesh SS Disc	HY-201-D
2	Spare Stainless Steel Screen, 150-Mesh (Standard)	HY201SCREEN150
	Spare Stainless Steel Screen, 120-Mesh	HY201SCREEN120
	Spare Stainless Steel Screen, 80-Mesh	HY201SCREEN080
3	Spare 125-Micron Disc, 120-Mesh	HY201DISC120
4	Flush Valve (Optional)	995500SP
5	Flush Cap With O-Ring	651900
6	Senninger 2" (50 mm) Inlet/Outlet Regulator at 40 PSI (2.8 bar; 280 kPa)	PRU-40
7	IBV-201G-FS Valve	IBV-201G-FS

