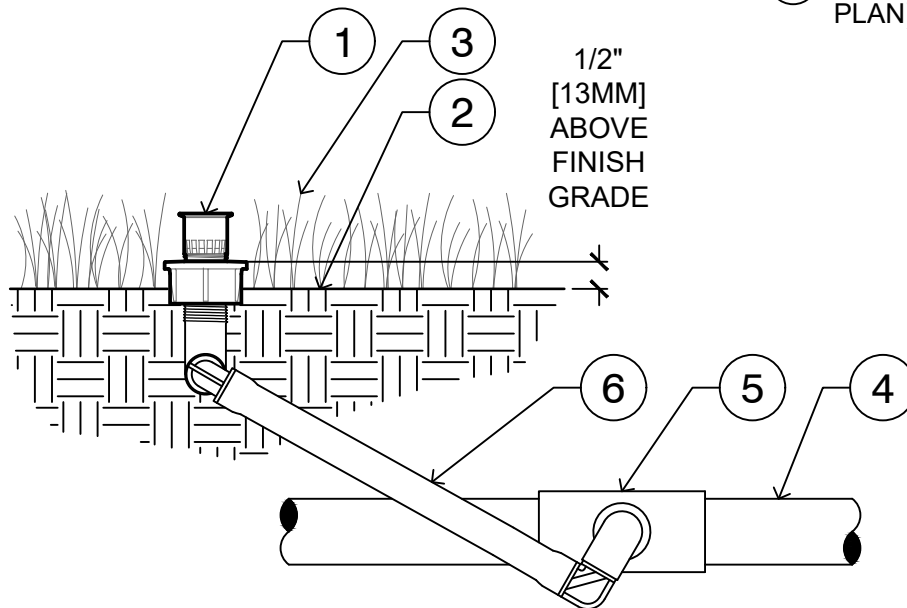


LEGEND

- ① HUNTER SPRAY BODY (PROS-00): NOZZLE AND CAP PER PLAN
- ② FINISHED GRADE
- ③ ADJACENT LANDSCAPE
- ④ LATERAL PIPE PER PLAN
- ⑤ LATERAL FITTING PER PLAN
- ⑥ HUNTER SWING JOINT (PER PLAN)



SHRUB ADAPTER (PROS-00) WITH HUNTER SWING JOINT

00

N.T.S.