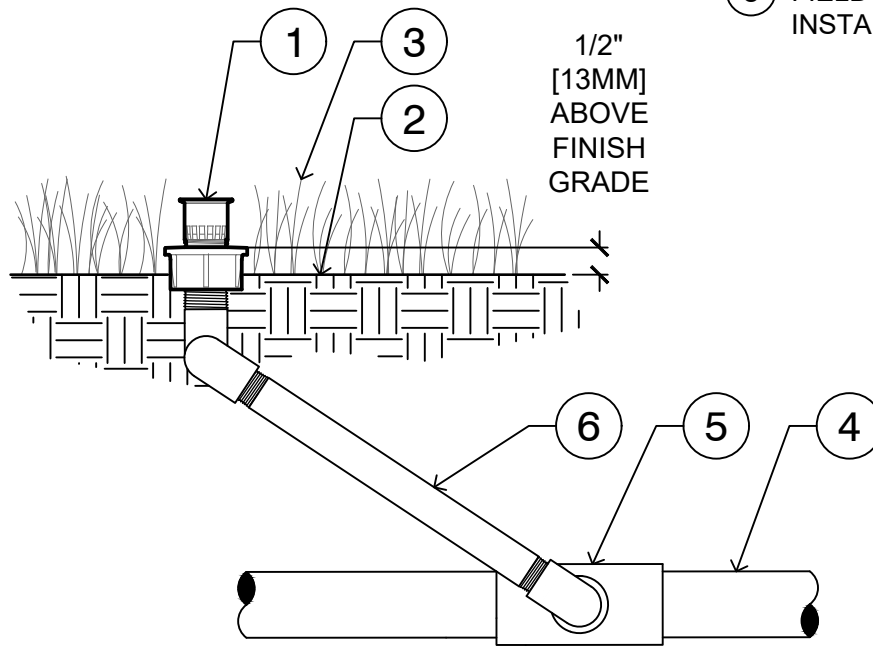


LEGEND

- ① HUNTER SPRAY BODY
(PROS-00): NOZZLE AND CAP
PER PLAN
- ② FINISHED GRADE
- ③ ADJACENT LANDSCAPE
- ④ LATERAL PIPE PER PLAN
- ⑤ LATERAL FITTING PER PLAN
- ⑥ FIELD BUILT SWING ARM (PER
INSTALLING CONTRACTOR)



SHRUB ADAPTER (PROS-00) WITH FIELD BUILT SWING ARM

00

N.T.S.