

Golf Replacement Parts List

GOLF IRRIGATION | Built on Innovation®





TABLE OF CONTENTS

TTS-800 AND G-800 SERIES GOLF ROTORS 4

GT-800-E/GT-800-D/GT-800-DD/GT-800-C
Body Assembly 4

G-800-E/G-800-D/G-800-DD Body Assembly:
Valve-In-Head 6

G-800-C Body Assembly: Check-O-Matic 7

G-885 Riser Assembly: Adjustable Arc Configuration 8

G-884 Riser Assembly: Adjustable Arc Configuration 10

G-880 Riser Assembly: Full-Circle Configuration 12

G-880 Riser Assembly: Full-Circle Configuration
(Obsolete Model) 14

G-835 Riser Assembly: Adjustable Arc Configuration 15

G-875 Riser Assembly: Adjustable Arc Configuration 16

G-870 Riser Assembly: Full-Circle Configuration 17

B SERIES GOLF ROTORS 18

G-80-B/G-84-B/G-85-B Body Assembly: Block 18

G-35-B/G-70-B/G-75-B Body Assembly: Block 19

G-85-B Riser Assembly: Adjustable Arc Configuration 20

G-84-B Riser Assembly: Adjustable Arc Configuration 22

G-80-B Riser Assembly: Full-Circle Configuration 24

G-80-B Riser Assembly: Full-Circle Configuration
(Obsolete Model) 26

G-35-B Riser Assembly: Full-Circle Configuration 27

G-75-B Riser Assembly: Adjustable Arc Configuration 28

G-70-B Riser Assembly: Full-Circle Configuration 29

G-900 SERIES GOLF ROTORS 30

G-900-E/G-900-D/G-900-DD Body Assembly:
Valve-In-Head 30

G-900-C Body Assembly: Check-O-Matic 31

G-995 Riser Assembly: Adjustable Arc Configuration 32

G-990 Riser Assembly: Full-Circle Configuration 33

MISCELLANEOUS 34

Tools and Accessories: Golf Rotors 34

G-900 Series Rubber Cover Kits 35

Hose Swivel Adapters 35

CONTROLLERS 36

Pilot-FC Parts 36

Pilot-DH Parts 37

Communication Parts For Pilot-FC, -DH, and -FI 38

GFCP and VFCP (For All Conventional and
Decoder Configurations) 40

Conventional Controller Components
(January 1998 – Present) 42

Decoder Controller Components
(January 1998 – Present) 44

Trisend Central Components 46

ICD-HP Components 48

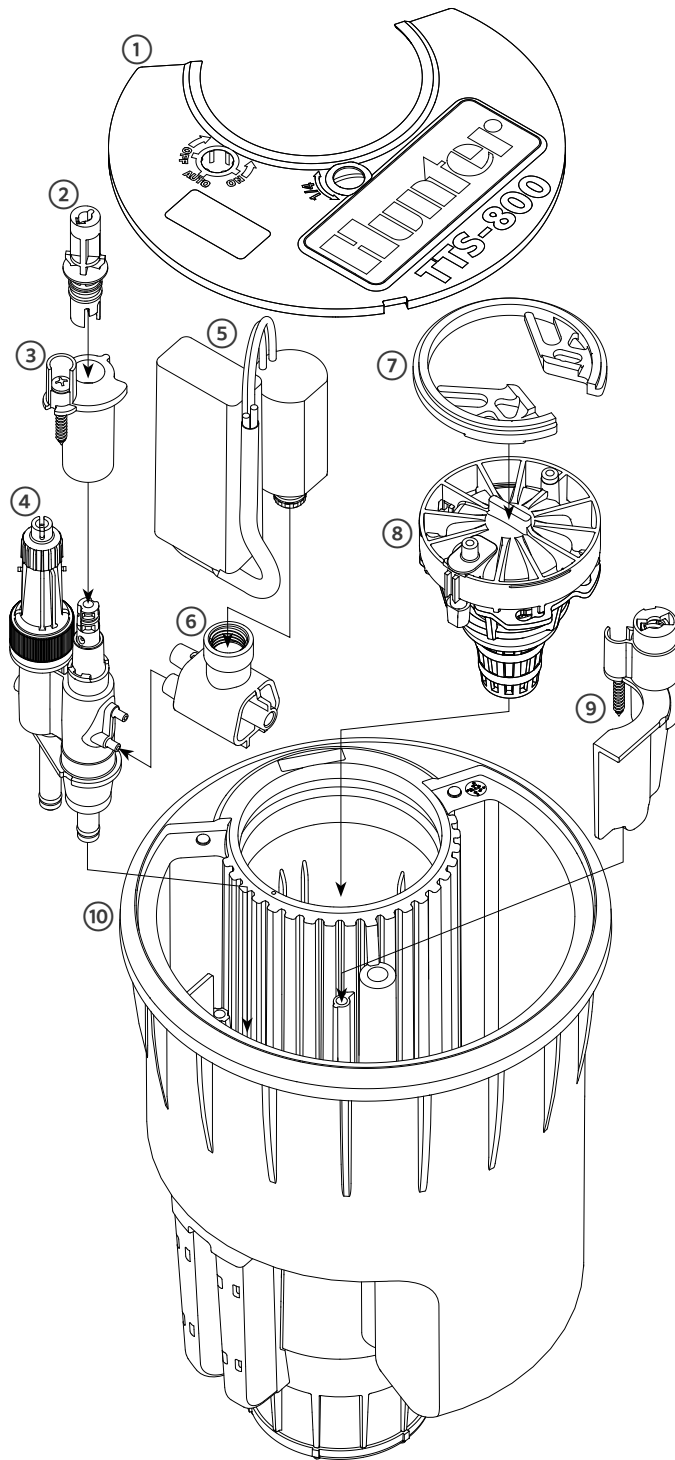
NOTES 49

WARRANTY 50

TTS-800 AND G-800 SERIES GOLF ROTORS

GT-800-E/GT-800-D/GT-800-DD/GT-800-C BODY ASSEMBLY

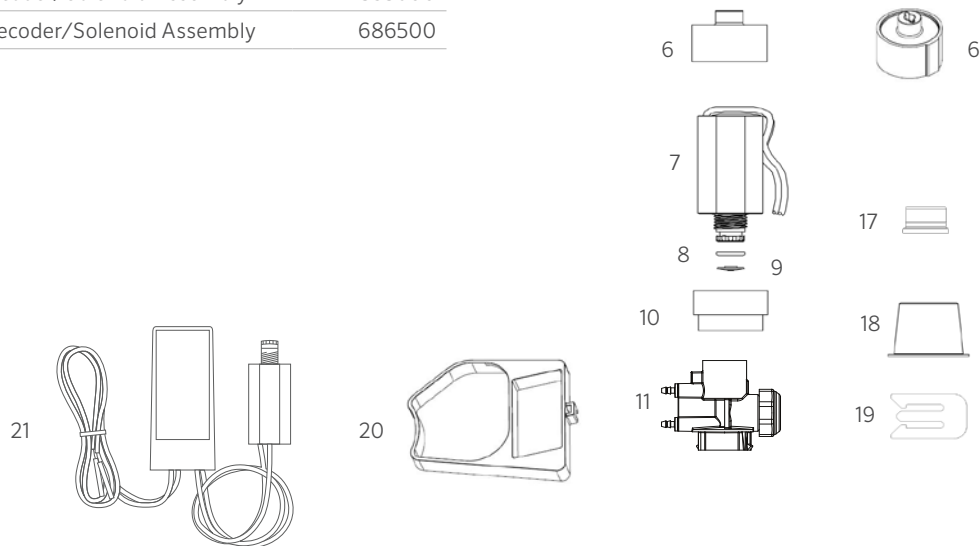
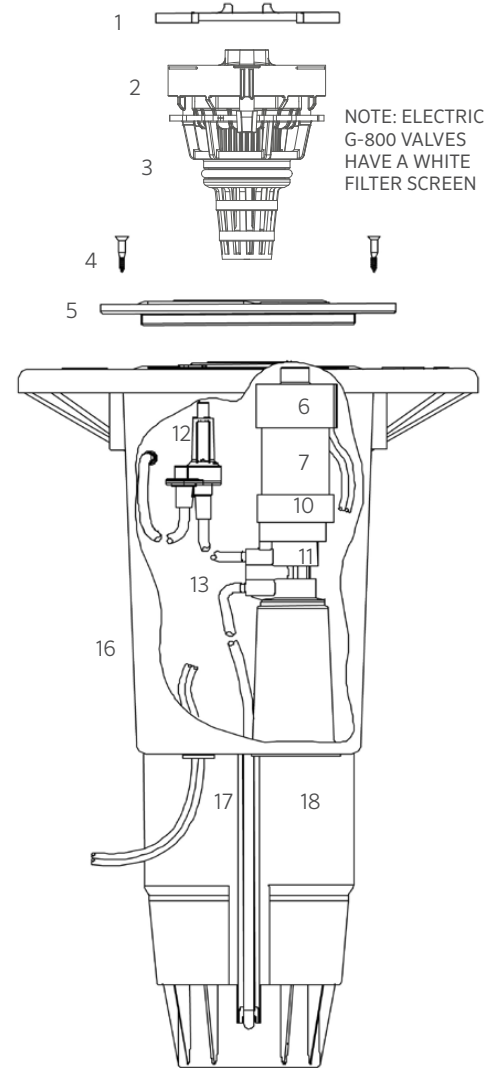
ITEM	DESCRIPTION	MODEL
1	Qty. 1, Lid Assembly, Switch	954400SP
	Qty. 1, Lid Assembly, COM	954401SP
	Qty. 10, Yardage Marker, Black	915700SP
	Qty. 10, Yardage Marker, Red	915701SP
	Qty. 10, Yardage Marker, Blue	915702SP
	Qty. 10, Yardage Marker, White	915703SP
	Qty. 10, Yardage Marker, Purple	915704SP
2	Qty. 10, Selector Switch, Grey	914600SP
	Qty. 10, Selector Switch, Yellow	914601SP
	Qty. 10, Selector Switch, DIH GRND	914602SP
3	Qty. 1, Selector Switch Bracket Assembly	10009300SP
	Qty. 5, Screw, 1/4" (30 mm)	334001SP
4	Qty. 1, Selector Switch Assembly, 50 PSI (3.4 bar; 340 kPa)	929100SP
	Qty. 1, Selector Switch Assembly, 65 PSI (4.9 bar; 490 kPa)	929101SP
	Qty. 1, Selector Switch Assembly, 80 PSI (5.5 bar; 550 kPa)	929102SP
	Qty. 1, Selector Switch Assembly, COM	10009000SP
	Qty. 1, Pressure Regulator, 50 PSI (3.4 bar; 340 kPa)	934500SP
	Qty. 1, Pressure Regulator, 65 PSI (4.9 bar; 490 kPa)	934501SP
	Qty. 1, Pressure Regulator, 80 PSI (5.5 bar; 550 kPa)	934502SP
	Qty. 1, Selector Switch Base Filter	386605SP
	Qty. 1, Manifold Assembly, TTS	929300SP
5	Qty. 1, Two-Way Module, 100, TTS	353601SP
	Qty. 1, Two-Way Module, 200, TTS	686501SP
	Qty. 1, Solenoid AC	606800
	Qty. 1, Solenoid DC	458200
6	Qty. 1, Solenoid Base Assembly	929600SP
7	Qty. 10, Snap Ring, Lower, G-800	526800SP
8	Qty. 1, Inlet Valve, Elec, G-800	929700SP
	Qty. 1, Inlet Valve, COM	929701SP
	Qty. 1, Rock Screen Kit, Electric	10010300SP
	Qty. 1, Valve Filter Screen	387400SP
	Qty. 1, Velocity Control Disk Kit	10009400SP
9	Qty. 1, Pilot Valve Bracket Assembly	10009200SP
	Qty. 5, Screw, 1/4" (30 mm)	334001SP
10	Qty. 1, Body Assembly, GT-800	10009100SP



TTS-800 AND G-800 SERIES GOLF ROTORS

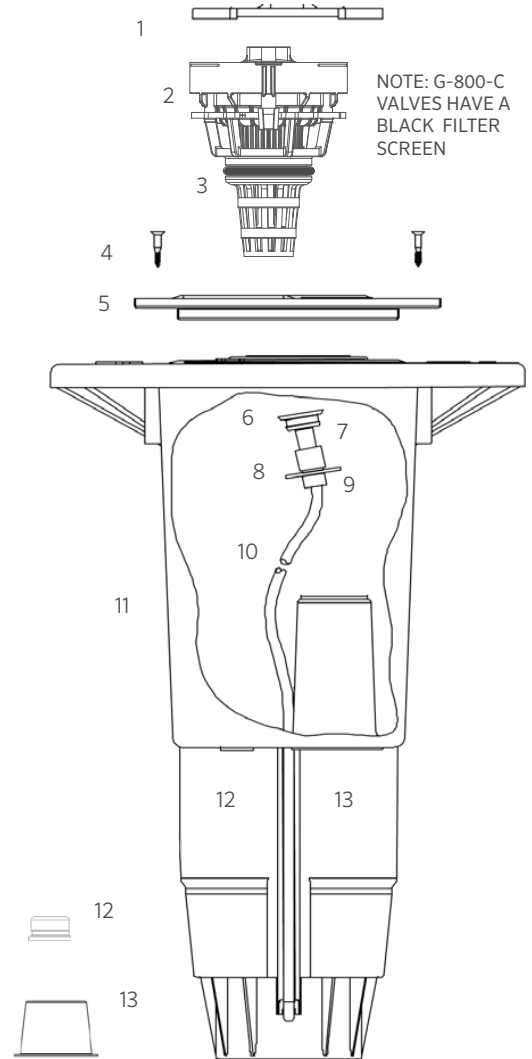
G-800-E/G-800-D/G-800-DD BODY ASSEMBLY: VALVE-IN-HEAD

ITEM	DESCRIPTION	MODEL
1	Qty. 10, Snap Ring, Lower G-800 (White)	526800SP
2	Qty. 1, Inlet Valve, Electric, G-800 (White Screen)	929700SP
3	O-Ring - Inlet Valve to Body Seal	426300
4	Qty. 10, Screw - Flange Lid Retainer	351800SP
5	Lid - Flange Compartment - Electric Recessed Yardage Marker Area	449420
	Lid - Flange Compartment - Electric Raised Yardage Marker Area	449410
6	Qty. 5, Selector Cap and Detent Ring Kit (Gray)	461536SP
	Selector Cap - DIH (Yellow)	454200
	Selector Cap - DIH (Green)	454201
7	Qty. 1, Solenoid Kit - AC (Includes Items 6, 7, 8, 9, and 10)	461537SP
8	O-Ring - Solenoid Thread Seal	262600
9	Seal - Solenoid Plunger Seal	364405
10	Qty. 5, Selector Cap and Detent Ring Kit	461536SP
11	Qty. 1, Pilot Valve Kit (Tan)	461540SP
12	Qty. 1, Pressure Regulator Kit - Variable (50 to 120 PSI; 3.4 to 8.3 bar; 340 to 830 kPa)	674800SP
13	Control Tubing Kit - Includes: 24" (61 cm) of 1/8" Tubing, Connector, and Retainers (2)	461539
14	Tube Retainer - 1/8" Tubing (Not Shown)	476000
15	Connector - 1/8" x 1/8" Tubing (Not Shown)	494400
16	Body Assembly, Electric VIH - Includes: Tubing to Pilot Valve and Tubing to Regulator Plus Items 4, 5, 16, 17, and 18 (Does Not Include Pilot Valve or Pressure Regulator)	463736SP
17	Cap, Protective - Solenoid Wires	643900
18	Cap, Protective - Lower Compartment	474400
19	Restraint - Solenoid Wires	669300
20	Brace - DIH Decoder Support (Yellow)	526700
21	DIH-100 1-Station Decoder/Solenoid Assembly	353600
22	DIH-200 2-Station Decoder/Solenoid Assembly	686500



G-800-C BODY ASSEMBLY: CHECK-O-MATIC

ITEM	DESCRIPTION	MODEL
1	Qty. 10, Snap Ring, Lower G-800 (White)	526800SP
2	Qty. 1, Assembly, Inlet Valve, COM (Black Screen)	929701SP
3	O-Ring - Inlet Valve to Body Seal	426300
4	Qty. 10, Screw - Flange Lid Retainer	351800SP
5	Lid - Flange Compartment - COM Recessed Yardage Marker Area	449405
	Lid - Flange Compartment - COM Raised Yardage Marker Area	449415
6	Vent Cap - Valve Air Bleed	456600
7	Tube Retainer - ¼" Tubing	052610
8	Connector - ¼" x ⅛" Tubing (Not Shown)	402100
9	Tube Retainer - ⅛" Tubing	476000
10	Control Tubing Kit - Includes: 24" (61 cm) of ⅛" Tubing, Connector and Retainers (2)	461539
11	Body Assembly, COM, and Normally Open Hydraulic - Includes: Items 4 - 13	463734
12	Cap, Protective - Solenoid Wires	643900
13	Cap, Protective - Lower Compartment	474400



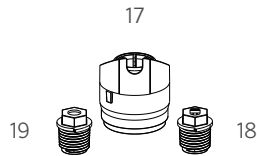
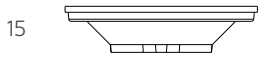
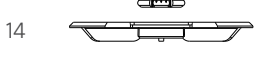
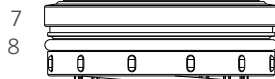
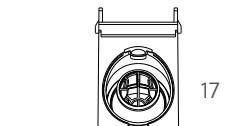
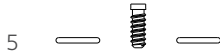
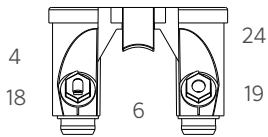
TTS-800 AND G-800 SERIES GOLF ROTORS

G-885 RISER ASSEMBLY: ADJUSTABLE ARC CONFIGURATION

ITEM	DESCRIPTION	MODEL
1	Snap Ring Assembly - Upper (Black)	450100
	Snap Ring Assembly - Upper (Purple)	450105
2	Screw - Logo Cap Retainer	189755
3	Rubber Logo Cap Assembly (Black)	255300
4	Yoke - Secondary Nozzle Housing	254500
5	O-Ring - Yoke Seal (2 used)	252104
6	Screw - Primary Nozzle Retainer	180900
7	Seal Block Assembly with O-Ring	517100
8	O-Ring - Seal Block	549400
9	Spring - Riser Retraction	553700
10	Face Seal	256500
11	Ratchet Ring/Spring Seat	255000
12	Riser Assembly - SRU - Includes Items 1 - 16 + Desired Nozzle Set (replace XX in model number with any Primary Nozzle #10 through #53)	G885INT-XX
13	Stator Base (For Stator #14)	256600
14	Stator Adjustment Plate (Nozzles #23 - #53)	266500
15	Stator Variable (Nozzles #10 - #20)	271000
16	Screen - Riser Inlet	539200
17	Primary Nozzles - Each	
	#10 - Light Green with Plug	272108
	#13 - Light Blue	272109
	#15 - White	272110
	#18 - Orange	272111
	#20 - Tan	272112
	#23 - Green	272101
	#25 - Blue	272102
	#33 - Gray	272103
	#38 - Red	272104
	#43 - Dark Brown	272105
	#48 - Dark Green	272106
	#53 - Dark Blue	272107

Image on the following page; compatible with TTS-800 and G-800 series body assemblies

ITEM	DESCRIPTION	MODEL	
	Low-Angle Primary Nozzles - Each		
	#18 - Orange/Gray	301711	
	#20 - Tan/Gray	301712	
	#23 - Green/Gray	301701	
	#25 - Blue/Gray	301702	
	#33 - Gray/Gray	301703	
	#38 - Red/Gray	301704	
	#43 - Dark Brown/Gray	301705	
	#48 - Dark Green/Gray	301706	
18	Short-Range Nozzles - Each		
	Peach - Shortest Range	803604	
	Orange - Nozzles #10 - #23	803603	
	Red - Nozzles #25 - #43	803602	
	Dark Red - Nozzle #48 - #53	803601	
	19	Mid-Range Nozzles - Each	
	White - Nozzles #13 - #15	315314	
	Light Green - Nozzles #18 - #23	315313	
	Green - Nozzles #25 - #43	315310	
	Dark Green - Nozzles #10, #48, and #53	315312	
20	Plug - Nozzle (Black)	315300	
21	Nozzle Pack - #10 - #20 (Includes Short and Mid)	460023SP	
22	Nozzle Pack - #23 - #33 (Includes Short and Mid)	460024SP	
23	Nozzle Pack - #38 - #53 (Includes Short and Mid)	460025SP	
24	Yoke Assembly - Includes Items #4, #5, #18, #19, and #20		
	For Primary Nozzle #10	863501	
	For Primary Nozzles #13 - #15	863504	
	For Primary Nozzles #18 - #23	863503	
	For Primary Nozzles #25 - #43	863502	
	For Primary Nozzles #48 - #53	863500	



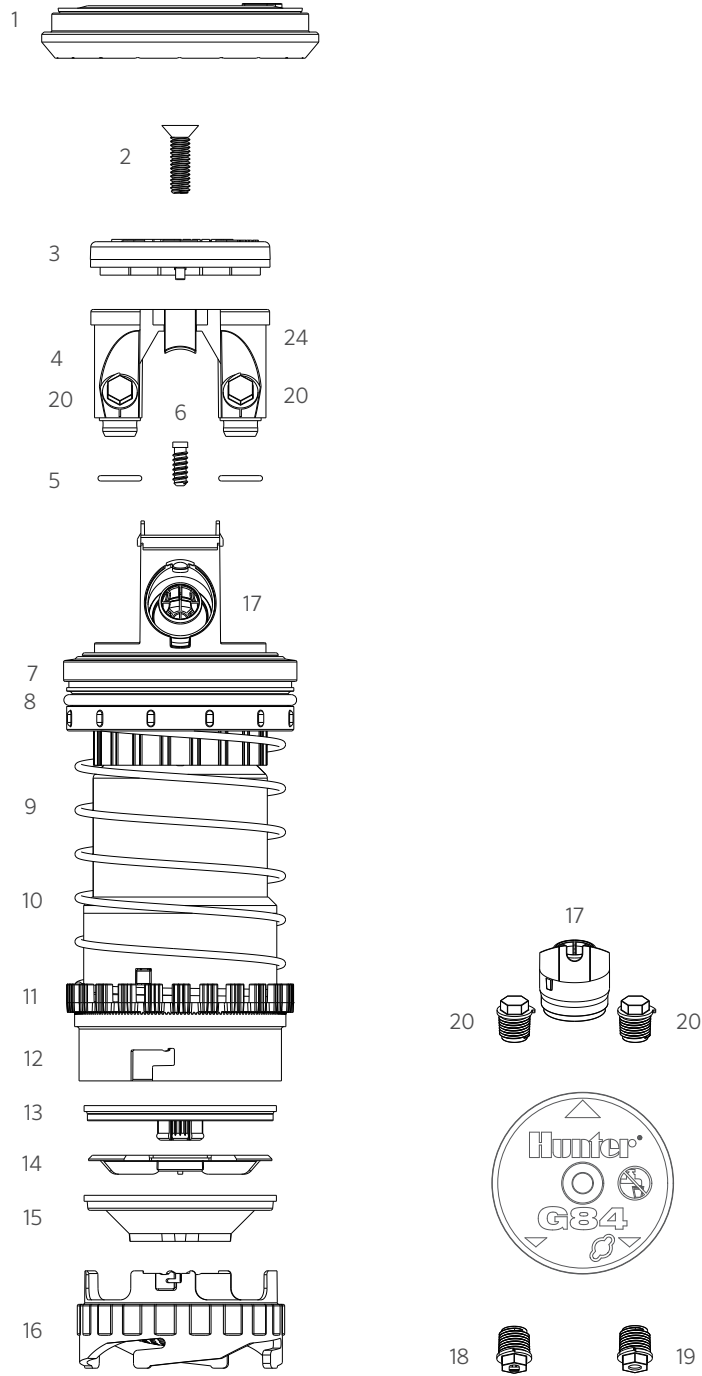
TTS-800 AND G-800 SERIES GOLF ROTORS

G-884 RISER ASSEMBLY: ADJUSTABLE ARC CONFIGURATION

ITEM	DESCRIPTION	MODEL
1	Snap Ring Assembly - Upper (Black)	450100
	Snap Ring Assembly - Upper (Purple)	450105
2	Screw - Logo Cap Retainer	189755
3	Rubber Logo Cap Assembly (Black)	255303
4	Yoke - Secondary Nozzle Housing	254500
5	O-Ring - Yoke Seal (2 used)	252104
6	Screw - Primary Nozzle Retainer	180900
7	Seal Block Assembly with O-Ring	517100
8	O-Ring - Seal Block	549400
9	Spring - Riser Retraction	553700
10	Face Seal	256500
11	Ratchet Ring/Spring Seat	255000
12	Riser Assembly - SRU - Includes Items 1 - 16 + Desired Nozzle Set (replace XX in model number with any Primary Nozzle #15 through #53)	G884INT-XX
13	Stator Base (For Stator #14)	256600
14	Stator Adjustment Plate (Nozzles #23 - #53)	266500
15	Stator Variable (Nozzles #10 - #20)	271000
16	Screen - Riser Inlet	539200
17	Primary Nozzles - Each	
	#15 - White	272110
	#18 - Orange	272111
	#20 - Tan	272112
	#23 - Green	272101
	#25 - Blue	272102
	#33 - Gray	272103
	#38 - Red	272104
	#43 - Dark Brown	272105
	#48 - Dark Green	272106
	#53 - Dark Blue	272107

Image on the following page; compatible with TTS-800 and G-800 series body assemblies

ITEM	DESCRIPTION	MODEL
	Low-Angle Primary Nozzles - Each	
	#18 - Orange/Gray	301711
	#20 - Tan/Gray	301712
	#23 - Green/Gray	301701
	#25 - Blue/Gray	301702
	#33 - Gray/Gray	301703
	#38 - Red/Gray	301704
	#43 - Dark Brown/Gray	301705
	#48 - Dark Green/Gray	301706
	#53 - Dark Blue/Gray	301707
18	Short-Range Nozzles - Each	
	Tan - Nozzles #15 - #43	803611
	Dark Brown - Nozzles #48 - #53	803610
19	Mid-Range Nozzles - Each	
	Gray - Nozzles #15 - #20	315317
	Light Blue - Nozzles #23 - #38	315311
	Blue - Nozzle #43	315315
	Dark Blue - Nozzles #48 - #53	833500
20	Plug - Nozzle (Black)	315300
21	Nozzle Pack - #15 - #20 (Includes Short and Mid)	460054
22	Nozzle Pack - #23 - #33 (Includes Short and Mid)	460055
23	Nozzle Pack - #38 - #53 (Includes Short and Mid)	460056
24	Yoke Assembly - Includes Items #4, #5, #18, #19, and #20	
	For Primary Nozzles #15 - #20	863505
	For Primary Nozzles #23 - #38	863506
	For Primary Nozzle #43	863507
	For Primary Nozzles #48 - #53	863508



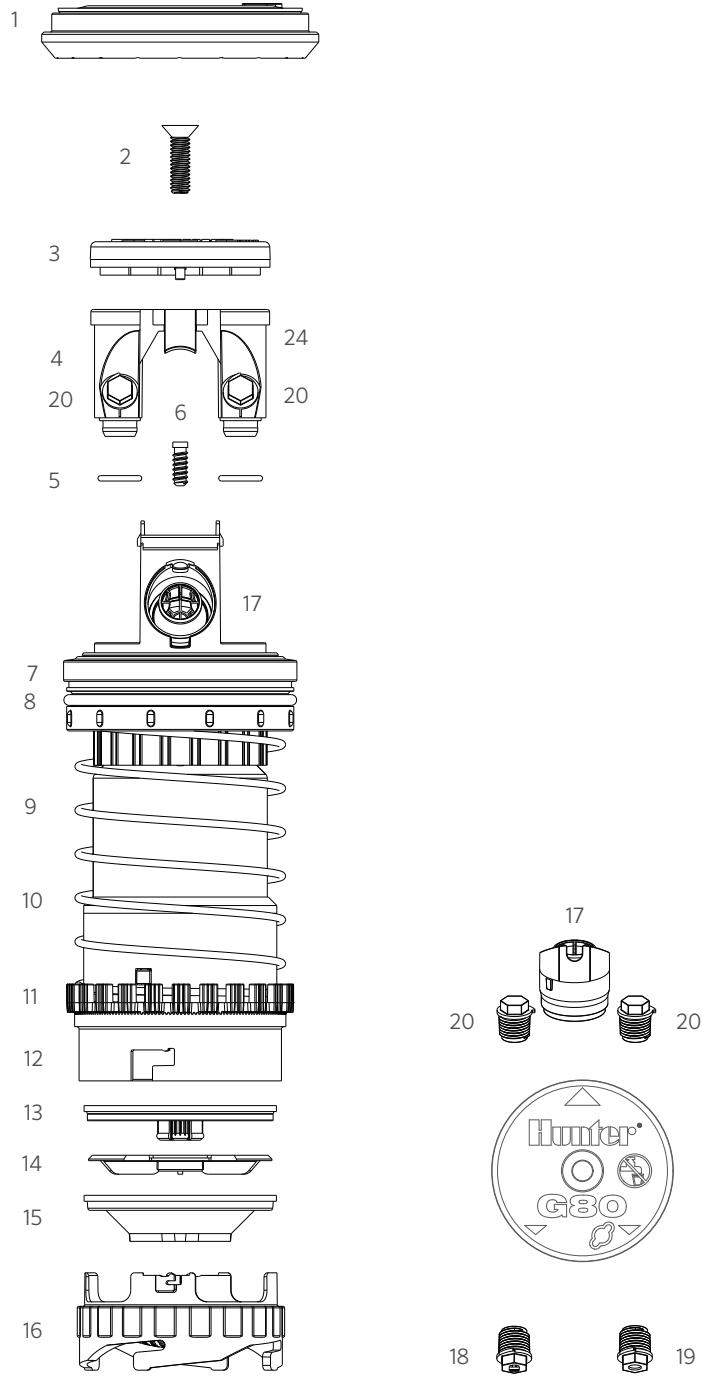
TTS-800 AND G-800 SERIES GOLF ROTORS

G-880 RISER ASSEMBLY: FULL-CIRCLE CONFIGURATION

ITEM	DESCRIPTION	MODEL
1	Snap Ring Assembly - Upper (Black)	450100
	Snap Ring Assembly - Upper (Purple)	450105
2	Screw - Logo Cap Retainer	189755
3	Rubber Logo Cap Assembly (Black)	255301
4	Yoke - Secondary Nozzle Housing	254500
5	O-Ring - Yoke Seal (2 used)	252104
6	Screw - Primary Nozzle Retainer	180900
7	Seal Block Assembly with O-Ring	517100
8	O-Ring - Seal Block	549400
9	Spring - Riser Retraction	553700
10	Face Seal	256500
11	Ratchet Ring/Spring Seat	255000
12	Riser Assembly - SRU - Includes Items 1 - 16 + Desired Nozzle Set (replace XX in model number with any Primary Nozzle #15 through #53)	G880INT-XX
13	Stator Base (For Stator #14)	256600
14	Stator Adjustment Plate (Nozzles #23 - #53)	266500
15	Stator Variable (Nozzles #10 - #20)	271000
16	Screen - Riser Inlet	539200
17	Primary Nozzles - Each	
	#15 - White	272110
	#18 - Orange	272111
	#20 - Tan	272112
	#23 - Green	272101
	#25 - Blue	272102
	#33 - Gray	272103
	#38 - Red	272104
	#43 - Dark Brown	272105
	#48 - Dark Green	272106
#53 - Dark Blue	272107	

Image on the following page; compatible with TTS-800 and G-800 series body assemblies

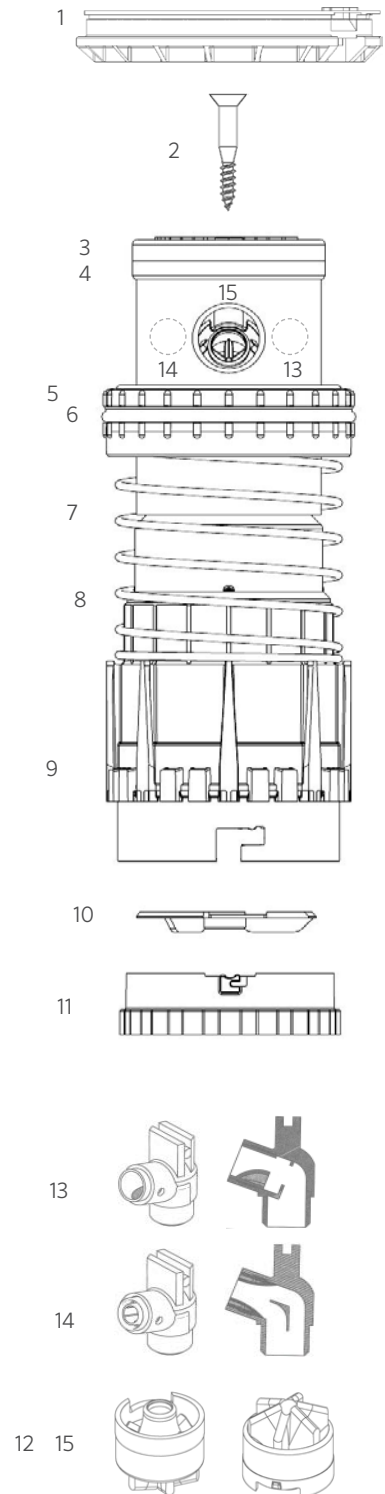
ITEM	DESCRIPTION	MODEL
	Low-Angle Primary Nozzles - Each	
	#18 - Orange/Gray	301711
	#20 - Tan/Gray	301712
	#23 - Green/Gray	301701
	#25 - Blue/Gray	301702
	#33 - Gray/Gray	301703
	#38 - Red/Gray	301704
	#43 - Dark Brown/Gray	301705
	#48 - Dark Green/Gray	301706
	#53 - Dark Blue/Gray	301707
18	Short-Range Nozzles - Each	
	Tan - Nozzles #15 - #43	803611
19	Dark Brown - Nozzles #48 - #53	803610
	Mid-Range Nozzles - Each	
	Gray - Nozzles #15 - #20	315317
	Light Blue - Nozzles #23 - #38	315311
	Blue - Nozzle #43	315315
	Dark Blue - Nozzles #48 - #53	833500
20	Plug - Nozzle (Black)	315300
21	Nozzle Pack - #15 - #20 (Includes Short and Mid)	460054
22	Nozzle Pack - #23 - #33 (Includes Short and Mid)	460055
23	Nozzle Pack - #38 - #53 (Includes Short and Mid)	460056
24	Yoke Assembly - Includes Items #4, #5, #18, #19, and #20	
	For Primary Nozzles #15 - #20	863505
	For Primary Nozzles #23 - #38	863506
	For Primary Nozzle #43	863507
	For Primary Nozzles #48 - #53	863508



G-880 RISER ASSEMBLY: FULL-CIRCLE CONFIGURATION (OBSOLETE MODEL)

ITEM	DESCRIPTION	MODEL
1	Snap Ring Assembly - Upper (Black)	450100
	Snap Ring Assembly - Upper (Purple) Applications: Reclaimed Water Sites	450105
2	Screw - Shroud Retainer	376400
3	Rubber Logo Cap (Black)	453800
4	Shroud - Nozzle Housing	454100
5	Seal Block	664405
6	O-Ring - Seal	549400
7	Spring - Riser Retraction	553700
8	Face Seal - White	552400
9	Riser Assembly	N/A
10	Plate - Stator Adjustment	266500
11	Screen - Riser Inlet - Date Codes 0213 And Prior	052868
	Screen - Riser Inlet - Date Codes 0313 And After	254800
12	Nozzle Pack - Primary Nozzles (not shown) One Each #25 - #53	460002
13	Nozzle - Short Range - Black	495000
14	Nozzle - Mid-Range - Blue	494900
15	Nozzle - Primary - Bag of 25	
	Qty. 25, Nozzle #23, Green	494823SP
	#25 - Blue	460003
	#33 - Gray	460004
	#38 - Red	460005
	#43 - Dark Brown	460006
	#48 - Dark Green	460007
#53 - Dark Blue	460008	

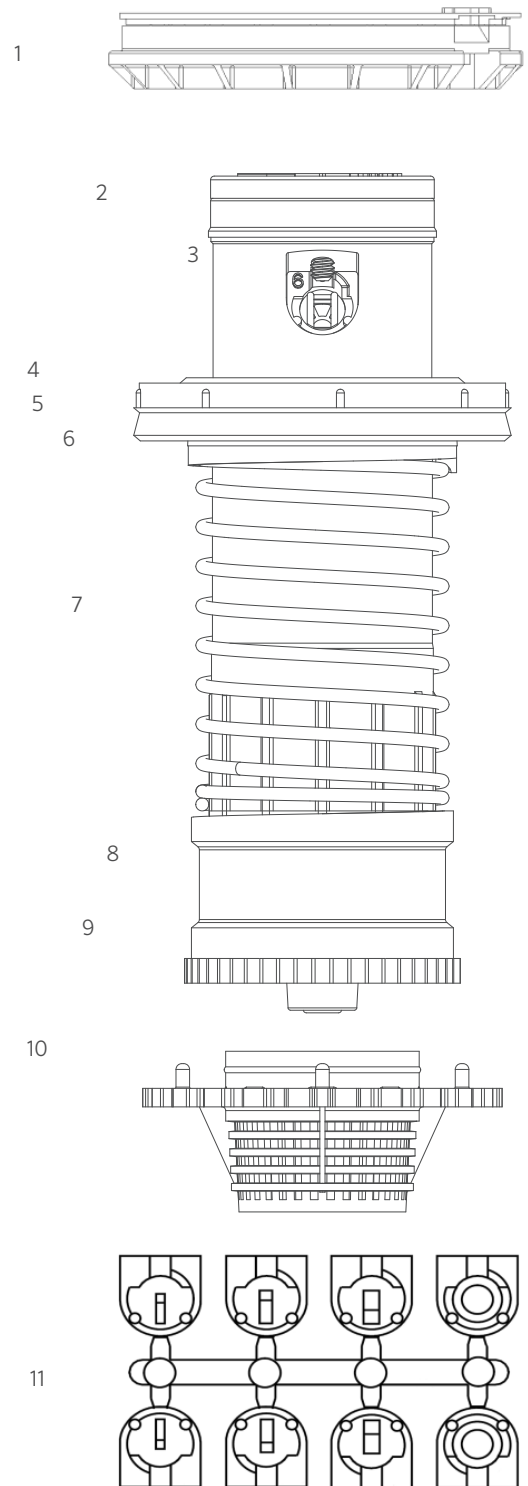
Obsolete model; replaced with updated G-80 in January 2019



**G-835 RISER ASSEMBLY:
ADJUSTABLE ARC CONFIGURATION**

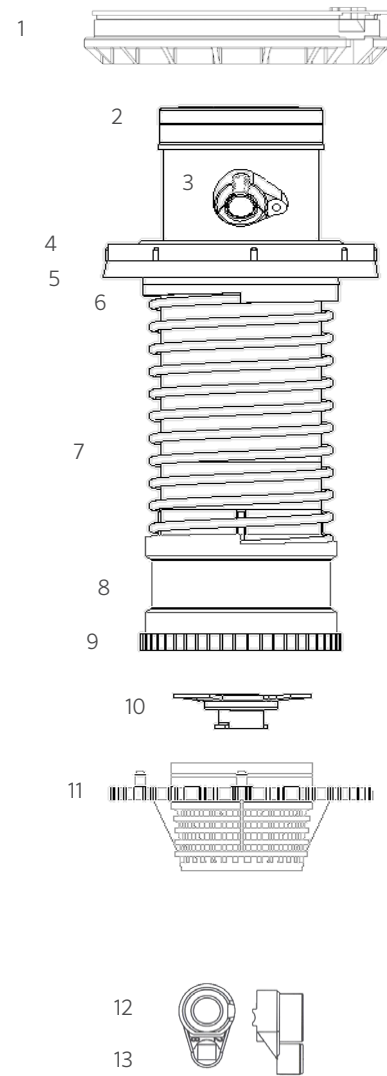
ITEM	DESCRIPTION	MODEL
1	Snap Ring Assembly - Upper (Black)	610100
	Snap Ring Assembly - Upper (Purple) Applications: Reclaimed Water Sites	610105
2	Rubber Logo Cap - (Black)	553800
3	Screw - Nozzle Retainer	053143
4	Support - Riser Seal Upper	450400
5	Seal - Riser	450500
6	Support - Riser Seal Lower	052383
7	Spring - Riser Retraction	348700
8	Bumper - Riser	405700
9	Riser Assembly - Includes: Items 1 - 11	400600
10	Screen - Riser Inlet	450600
11	Nozzle Rack	554000

Compatible with TTS-800 and G-800 series body assemblies



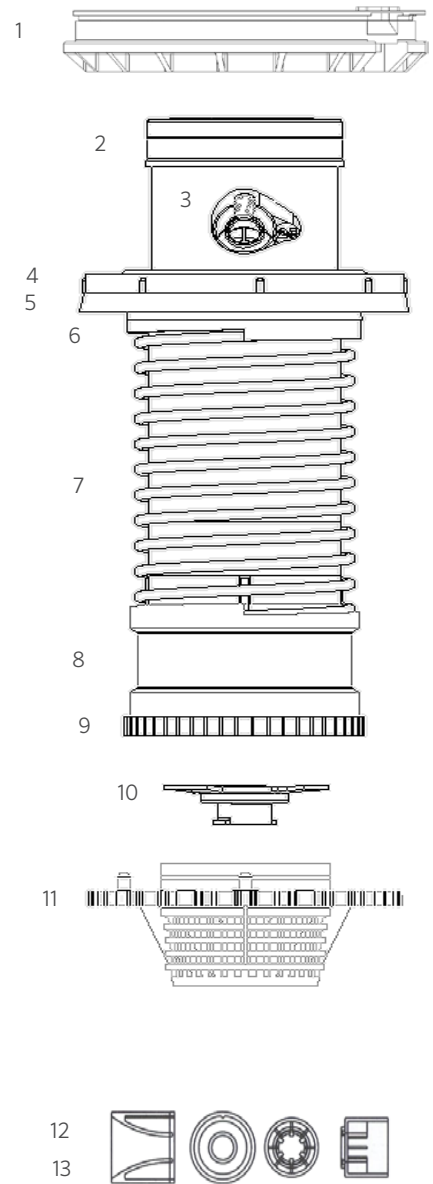
G-875 RISER ASSEMBLY: ADJUSTABLE ARC CONFIGURATION

ITEM	DESCRIPTION	MODEL
1	Snap Ring Assembly - Upper (Black)	610100
	Snap Ring Assembly - Upper (Purple) Applications: Reclaimed Water Sites	610105
2	Rubber Logo Cap - (Black)	402720
3	Screw - Nozzle Retainer	053143
4	Support - Riser Seal Upper	450400
5	Seal - Riser	450500
6	Support - Riser Seal Lower	052383
7	Spring - Riser Retraction	348700
8	Bumper - Riser	405700
9	Riser Assembly - Includes: Items 1 - 12	474571SP
10	Plate - Stator Adjustment	439600
11	Screen - Riser Inlet	450600
12	Nozzle Pack	461532
13	Nozzle Assembly - Bag of 25	
	# 8 - Light Brown	463404
	#10 - Light Green	463405
	#13 - Light Blue	463406
	#15 - Gray	463407
	#18 - Red	463408
	#20 - Dark Brown	463409
	#23 - Dark Green	463410
	#25 - Dark Blue	463411
	#28 - Black	463412



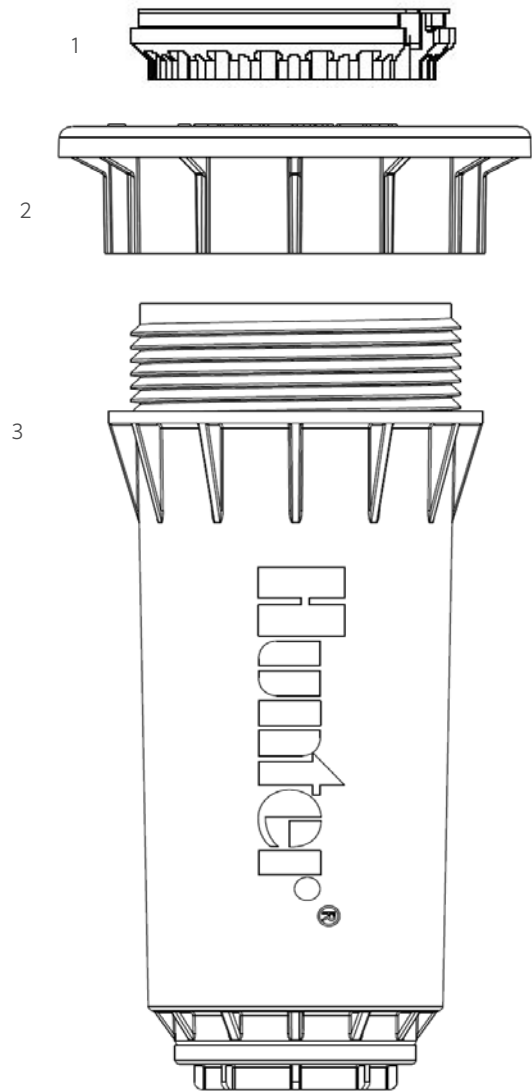
**G-870 RISER ASSEMBLY:
FULL-CIRCLE CONFIGURATION**

ITEM	DESCRIPTION	MODEL
1	Snap Ring Assembly - Upper (Black)	610100
	Snap Ring Assembly - Upper (Purple) Applications: Reclaimed Water Sites	610105
2	Rubber Logo Cap - (Black)	402710
3	Screw - Nozzle Retainer (2 Required)	053143
4	Support - Riser Seal Upper	450400
5	Seal - Riser	450500
6	Support - Riser Seal Lower	052383
7	Spring - Riser Retraction	348700
8	Bumper - Riser	405700
9	Riser Assembly - Includes: Items 1 - 12	474507SP
10	Plate - Stator Adjustment	439600
11	Screen - Riser Inlet	450600
12	Nozzle Pack	463210
13	Nozzle Rack - Bag of 25	
	#15 - Gray	463213
	#18 - Red	463214
	#20 - Dark Brown	463215
	#23 - Dark Green	463216
	#25 - Dark Blue	463217
	#28 - Black	463218



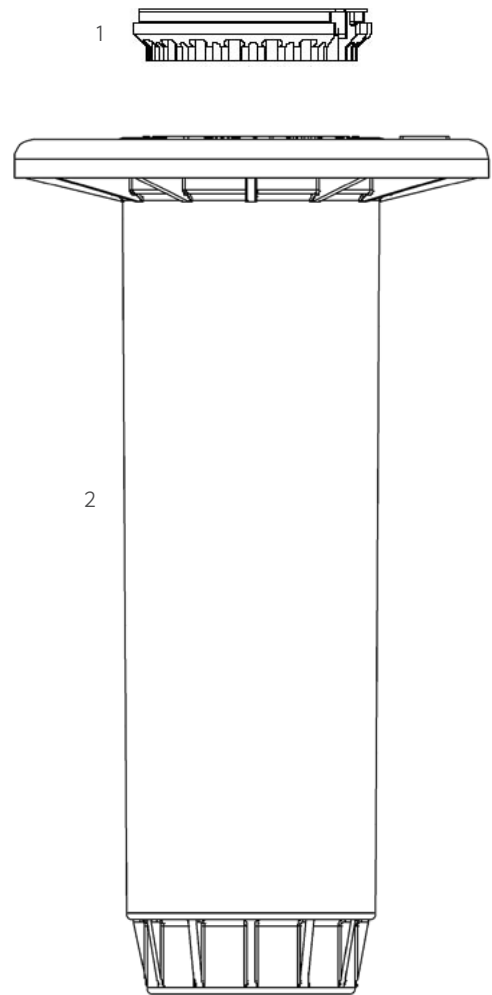
G-80-B/G-84-B/G-85-B BODY ASSEMBLY: BLOCK

ITEM	DESCRIPTION	MODEL
1	Snap Ring Assembly - Upper (Black)	450100
	Snap Ring Assembly - Upper (Purple) Applications: Reclaimed Water Sites	450105
2	Flange Cap	322400
3	Body - Block with 1¼" (30 mm) Acme Inlet	781300



G-35-B/G-70-B/G-75-B BODY ASSEMBLY: BLOCK

ITEM	DESCRIPTION	MODEL
	Snap Ring Assembly - Upper (Black)	403400
1	Snap Ring Assembly - Upper (Purple) Applications: Reclaimed Water Sites	470600
2	Body - Block with 1¼" (30 mm) Acme Inlet	401800



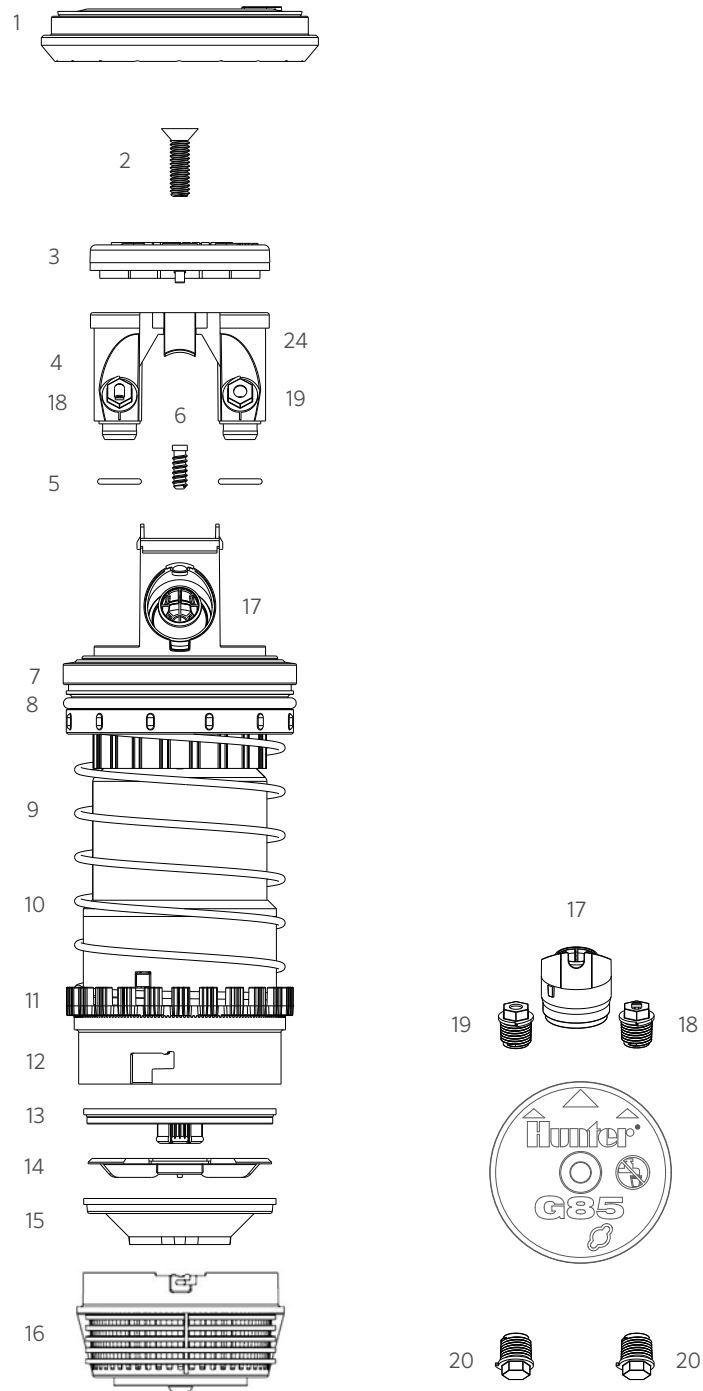
B SERIES GOLF ROTORS

G-85-B RISER ASSEMBLY: ADJUSTABLE ARC CONFIGURATION

ITEM	DESCRIPTION	MODEL
1	Snap Ring Assembly - Upper (Black)	450100
	Snap Ring Assembly - Upper (Purple)	450105
2	Screw - Logo Cap Retainer	189755
3	Rubber Logo Cap Assembly (Black)	255300
4	Yoke - Secondary Nozzle Housing	254500
5	O-Ring - Yoke Seal (2 used)	252104
6	Screw - Primary Nozzle Retainer	180900
7	Seal Block Assembly with O-Ring	517100
8	O-Ring - Seal Block	549400
9	Spring - Riser Retraction	553700
10	Face Seal	256500
11	Ratchet Ring/Spring Seat	255000
12	Riser Assembly - SRU - Includes Items 1 - 13 + 17 + 18 + #18 Nozzle Installed, Includes #10 - #20 Nozzle Pack	460017
	Riser Assembly - SRU - Includes Items 1 - 16 + 18 + #25 Nozzle Installed. Includes #23 - #33 Nozzle Pack	460018
	Riser Assembly - SRU - Includes Items 1 - 16 + 18 + #48 Nozzle Installed, Includes #38 - #53 Nozzle Pack	460021
13	Stator Base (For Stator #14)	256600
14	Stator Adjustment Plate (Nozzles #23 - #53)	266500
15	Stator Variable (Nozzles #10 - #20)	271000
16	Screen/Check Valve - Riser Inlet	271900
17	Primary Nozzles - Each	
	#10 - Light Green with Plug	272108
	#13 - Light Blue	272109
	#15 - White	272110
	#18 - Orange	272111
	#20 - Tan	272112
	#23 - Green	272101
	#25 - Blue	272102
	#33 - Gray	272103
	#38 - Red	272104
	#43 - Dark Brown	272105
	#48 - Dark Green	272106
	#53 - Dark Blue	272107

Image on the following page

ITEM	DESCRIPTION	MODEL
	Low-Angle Primary Nozzles - Each	
	#18 - Orange/Gray	301711
	#20 - Tan/Gray	301712
	#23 - Green/Gray	301701
	#25 - Blue/Gray	301702
	#33 - Gray/Gray	301703
	#38 - Red/Gray	301704
	#43 - Dark Brown/Gray	301705
	#48 - Dark Green/Gray	301706
	#53 - Dark Blue/Gray	301707
18	Short-Range Nozzles - Each	
	Peach - Shortest Range	803604
	Orange - Nozzles #10 - #23	803603
	Red - Nozzles #25 - #43	803602
	Dark Red - Nozzle #48 - #53	803601
19	Mid-Range Nozzles - Each	
	White - Nozzles #13 - #15	315314
	Light Green - Nozzles #18 - #23	315313
	Green - Nozzles #25 - #43	315310
	Dark Green - Nozzles #10, #48, and #53	315312
20	Plug - Nozzle (Black)	315300
21	Nozzle Pack - #10 - #20 (Includes Short and Mid)	460023SP
22	Nozzle Pack - #23 - #33 (Includes Short and Mid)	460024SP
23	Nozzle Pack - #38 - #53 (Includes Short and Mid)	460025SP
24	Yoke Assembly - Includes Items #4, #5, #18, #19, and #20	
	For Primary Nozzle #10	863501
	For Primary Nozzles #13 - #15	863504
	For Primary Nozzles #18 - #23	863503
	For Primary Nozzles #25 - #43	863502
	For Primary Nozzles #48 - #53	863500



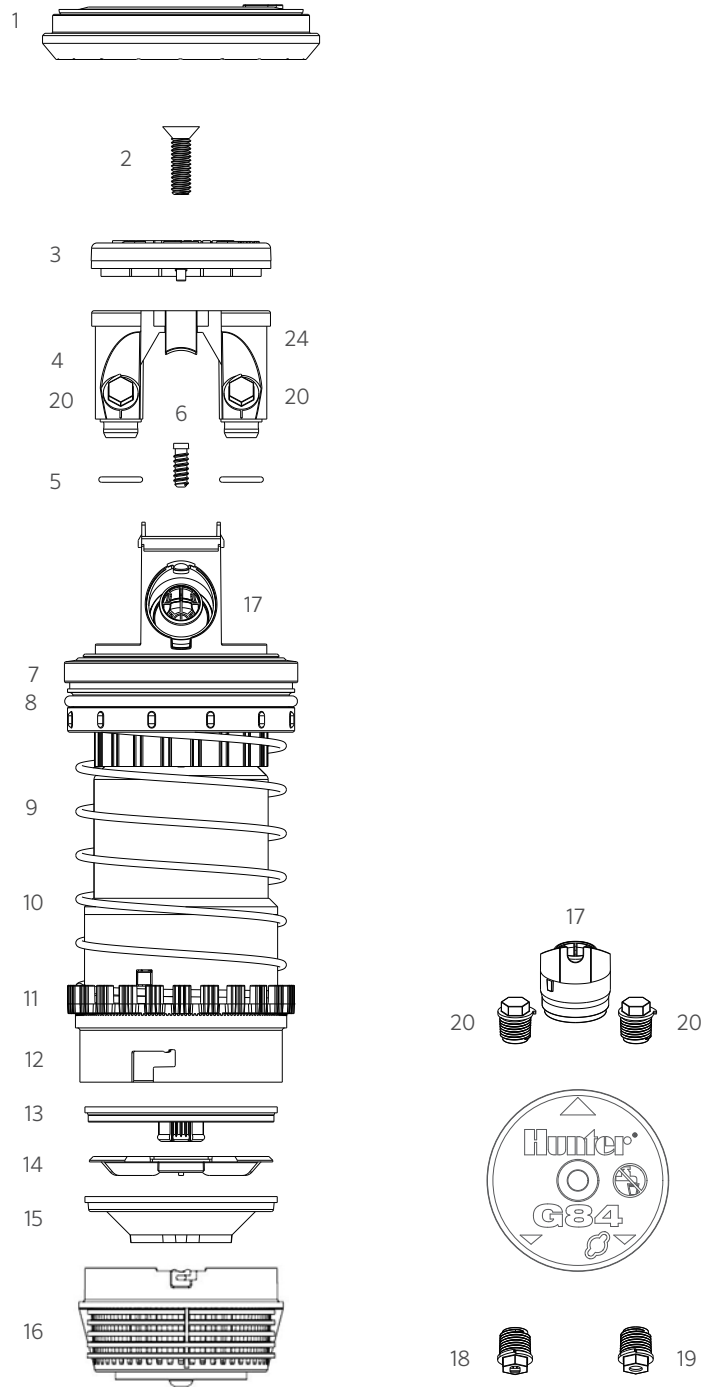
B SERIES GOLF ROTORS

G-84-B RISER ASSEMBLY: ADJUSTABLE ARC CONFIGURATION

ITEM	DESCRIPTION	MODEL
1	Snap Ring Assembly - Upper (Black)	450100
	Snap Ring Assembly - Upper (Purple)	450105
2	Screw - Logo Cap Retainer	189755
3	Rubber Logo Cap Assembly (Black)	255303
4	Yoke - Secondary Nozzle Housing	254500
5	O-Ring - Yoke Seal (2 used)	252104
6	Screw - Primary Nozzle Retainer	180900
7	Seal Block Assembly with O-Ring	517100
8	O-Ring - Seal Block	549400
9	Spring - Riser Retraction	553700
10	Face Seal	256500
11	Ratchet Ring/Spring Seat	255000
12	Riser Assembly - SRU - Includes Items 1 - 13 + 17 + 18 + #18 Nozzle Installed, Includes #10 - #20 Nozzle Pack	460048
	Riser Assembly - SRU - Includes Items 1 - 16 + 18 + #25 Nozzle Installed, Includes #23 - #33 Nozzle Pack	460049
	Riser Assembly - SRU - Includes Items 1 - 16 + 18 + #48 Nozzle Installed, Includes #38 - #53 Nozzle Pack	460050
13	Stator Base (For Stator #14)	256600
14	Stator Adjustment Plate (Nozzles #23 - #53)	266500
15	Stator Variable (Nozzles #10 - #20)	271000
16	Screen/Check Valve - Riser Inlet	271900
17	Primary Nozzles - Each	
	#15 - White	272110
	#18 - Orange	272111
	#20 - Tan	272112
	#23 - Green	272101
	#25 - Blue	272102
	#33 - Gray	272103
	#38 - Red	272104
	#43 - Dark Brown	272105
	#48 - Dark Green	272106
#53 - Dark Blue	272107	

Image on the following page

ITEM	DESCRIPTION	MODEL
	Low-Angle Primary Nozzles - Each	
	#18 - Orange/Gray	301711
	#20 - Tan/Gray	301712
	#23 - Green/Gray	301701
	#25 - Blue/Gray	301702
	#33 - Gray/Gray	301703
	#38 - Red/Gray	301704
	#43 - Dark Brown/Gray	301705
	#48 - Dark Green/Gray	301706
	#53 - Dark Blue/Gray	301707
18	Short-Range Nozzles - Each	
	Tan - Nozzles #15 - #43	803611
	Dark Brown - Nozzles #48 - #53	803610
19	Mid-Range Nozzles - Each	
	Gray - Nozzles #15 - #20	315317
	Light Blue - Nozzles #23 - #38	315311
	Blue - Nozzle #43	315315
	Dark Blue - Nozzles #48 - #53	833500
20	Plug - Nozzle (Black)	315300
21	Nozzle Pack - #15 - #20 (Includes Short and Mid)	460054
22	Nozzle Pack - #23 - #33 (Includes Short and Mid)	460055
23	Nozzle Pack - #38 - #53 (Includes Short and Mid)	460056
24	Yoke Assembly - Includes Items #4, #5, #18, #19, and #20	
	For Primary Nozzles #15 - #20	863505
	For Primary Nozzles #23 - #38	863506
	For Primary Nozzle #43	863507
	For Primary Nozzles #48 - #53	863508



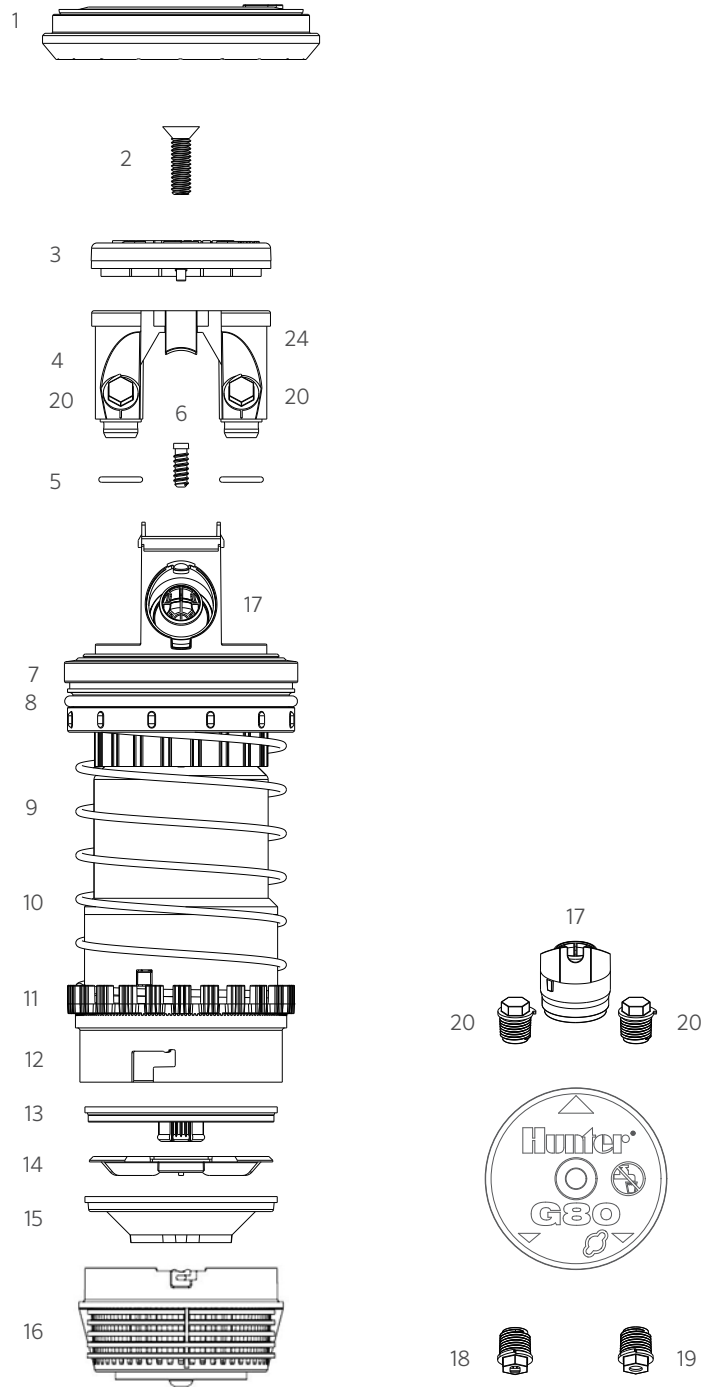
B SERIES GOLF ROTORS

G-80-B RISER ASSEMBLY: FULL-CIRCLE CONFIGURATION

ITEM	DESCRIPTION	MODEL
1	Snap Ring Assembly - Upper (Black)	450100
	Snap Ring Assembly - Upper (Purple)	450105
2	Screw - Logo Cap Retainer	189755
3	Rubber Logo Cap Assembly (Black)	255301
4	Yoke - Secondary Nozzle Housing	254500
5	O-Ring - Yoke Seal (2 used)	252104
6	Screw - Primary Nozzle Retainer	180900
7	Seal Block Assembly with O-Ring	517100
8	O-Ring - Seal Block	549400
9	Spring - Riser Retraction	553700
10	Face Seal	256500
11	Ratchet Ring/Spring Seat	255000
12	Riser Assembly - SRU - Includes Items 1-16 + 18 + #25 Nozzle Installed, Includes #23 - #33 Nozzle Pack	994900SP
	Riser Assembly - SRU - Includes Items 1-16 + 18 + #48 Nozzle Installed, Includes #38 - #53 Nozzle Pack	995100SP
13	Stator Base (For Stator #14)	256600
14	Stator Adjustment Plate (Nozzles #23 - #53)	266500
15	Stator Variable (Nozzles #10 - #20)	271000
16	Screen/Check Valve - Riser Inlet	271900
17	Primary Nozzles - Each	
	#15 - White	272110
	#18 - Orange	272111
	#20 - Tan	272112
	#23 - Green	272101
	#25 - Blue	272102
	#33 - Gray	272103
	#38 - Red	272104
	#43 - Dark Brown	272105
	#48 - Dark Green	272106
#53 - Dark Blue	272107	

Image on the following page

ITEM	DESCRIPTION	MODEL
	Low-Angle Primary Nozzles - Each	
	#18 - Orange/Gray	301711
	#20 - Tan/Gray	301712
	#23 - Green/Gray	301701
	#25 - Blue/Gray	301702
	#33 - Gray/Gray	301703
	#38 - Red/Gray	301704
	#43 - Dark Brown/Gray	301705
	#48 - Dark Green/Gray	301706
	#53 - Dark Blue/Gray	301707
18	Short-Range Nozzles - Each	
	Tan - Nozzles #15 - #43	803611
	Dark Brown - Nozzles #48 - #53	803610
19	Mid-Range Nozzles - Each	
	Gray - Nozzles #15 - #20	315317
	Light Blue - Nozzles #23 - #38	315311
	Blue - Nozzle #43	315315
	Dark Blue - Nozzles #48 - #53	833500
20	Plug - Nozzle (Black)	315300
21	Nozzle Pack - #15 - #20 (Includes Short and Mid)	460054
22	Nozzle Pack - #23 - #33 (Includes Short and Mid)	460055
23	Nozzle Pack - #38 - #53 (Includes Short and Mid)	460056
24	Yoke Assembly - Includes Items #4, #5, #18, #19, and #20	
	For Primary Nozzles #15 - #20	863505
	For Primary Nozzles #23 - #38	863506
	For Primary Nozzle #43	863507
	For Primary Nozzles #48 - #53	863508

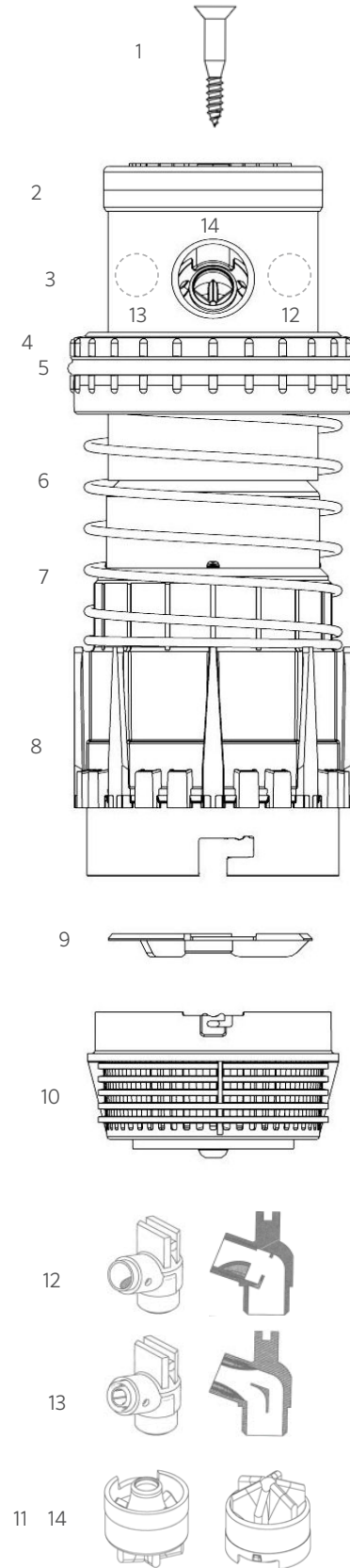


B SERIES GOLF ROTORS

G-80-B RISER ASSEMBLY: FULL-CIRCLE CONFIGURATION (OBSOLETE MODEL)

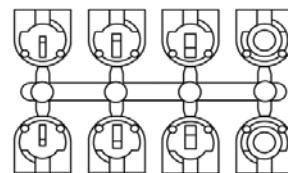
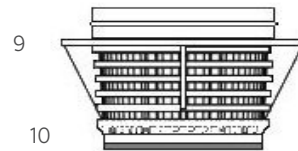
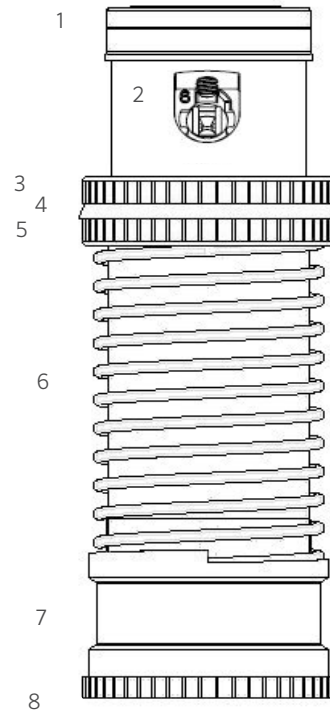
ITEM	DESCRIPTION	MODEL
1	Screw - Shroud Retainer	376400
2	Rubber Logo Cap (Black)	453800
3	Shroud - Nozzle Housing	454100
4	Seal Block	664405
5	O-Ring - Seal	549400
6	Spring - Riser Retraction	553700
7	Face Seal - White	552400
8	Riser Assembly	N/A
9	Plate - Stator Adjustment	266500
10	Screen - With Check Valve	271900
11	Nozzle Pack - Primary Nozzles (not shown) One Each #25 - #53	460002SP
12	Nozzle - Short Range - Black	495000
13	Nozzle - Mid-Range - Blue	494900
14	Nozzle - Primary - Bag of 25	
	#23 - Green	494823SP
	#25 - Blue	460003
	#33 - Gray	460004
	#38 - Red	460005
	#43 - Dark Brown	460006
	#48 - Dark Green	460007
	#53 - Dark Blue	460008

Obsolete model; replaced with updated G-80 in January 2019



**G-35-B RISER ASSEMBLY:
FULL-CIRCLE CONFIGURATION**

ITEM	DESCRIPTION	MODEL
1	Rubber Logo Cap (Black)	553800
2	Screw - Nozzle Retainer	053143
3	Support - Riser Seal Upper	349100
4	Seal - Riser	348900
5	Support - Riser Seal Lower	052383
6	Spring - Riser Retraction	348700
7	Bumper - Riser	405700
8	Riser Assembly - Includes: Items 1 - 11 Plus 403400 Snap Ring	400500
9	Screen - With Check Seal (Black)	422200
10	Check Seal	424800
11	Nozzle Rack	554000

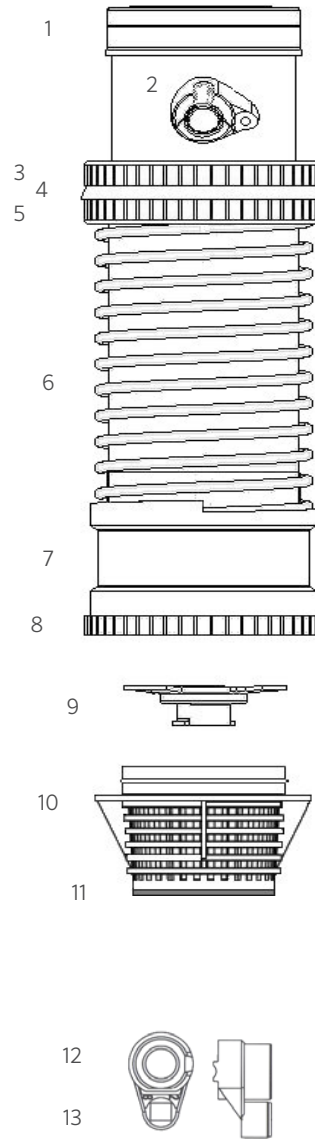


11

B SERIES GOLF ROTORS

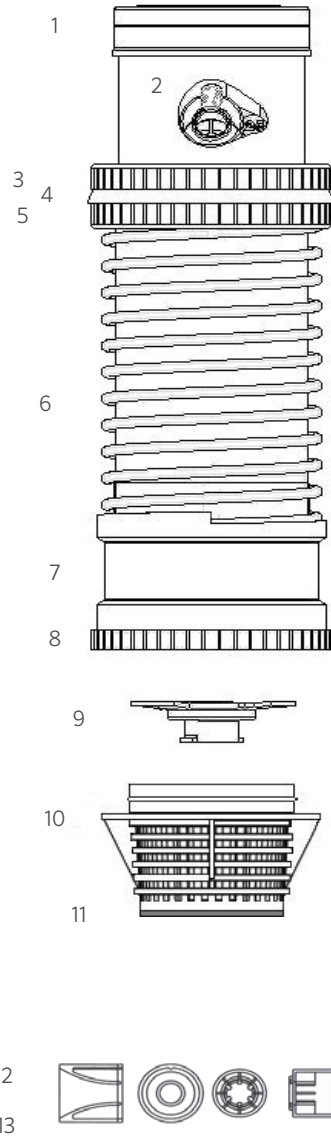
G-75-B RISER ASSEMBLY: ADJUSTABLE ARC CONFIGURATION

ITEM	DESCRIPTION	MODEL
1	Rubber Logo Cap (Black)	402720
2	Screw - Nozzle Retainer	053143
3	Support - Riser Seal Upper	349100
4	Seal - Riser	348900
5	Support - Riser Seal Lower	052383
6	Spring - Riser Retraction	348700
7	Bumper - Riser	405700
8	Riser Assembly - Includes: Items 1 - 12 Plus 403400 Snap Ring	474211SP
9	Plate - Stator Adjustment	439600
10	Screen - With Check Seal (Black)	422200
11	Check Seal	424800
12	Nozzle Pack	461532
13	Nozzle Assembly - Bag of 25	
	# 8 - Light Brown	463404
	#10 - Light Green	463405
	#13 - Light Blue	463406
	#15 - Gray	463407
	#18 - Red	463408
	#20 - Dark Brown	463409
	#23 - Dark Green	463410
	#25 - Dark Blue	463411
	#28 - Black	463412



**G-70-B RISER ASSEMBLY:
FULL-CIRCLE CONFIGURATION**

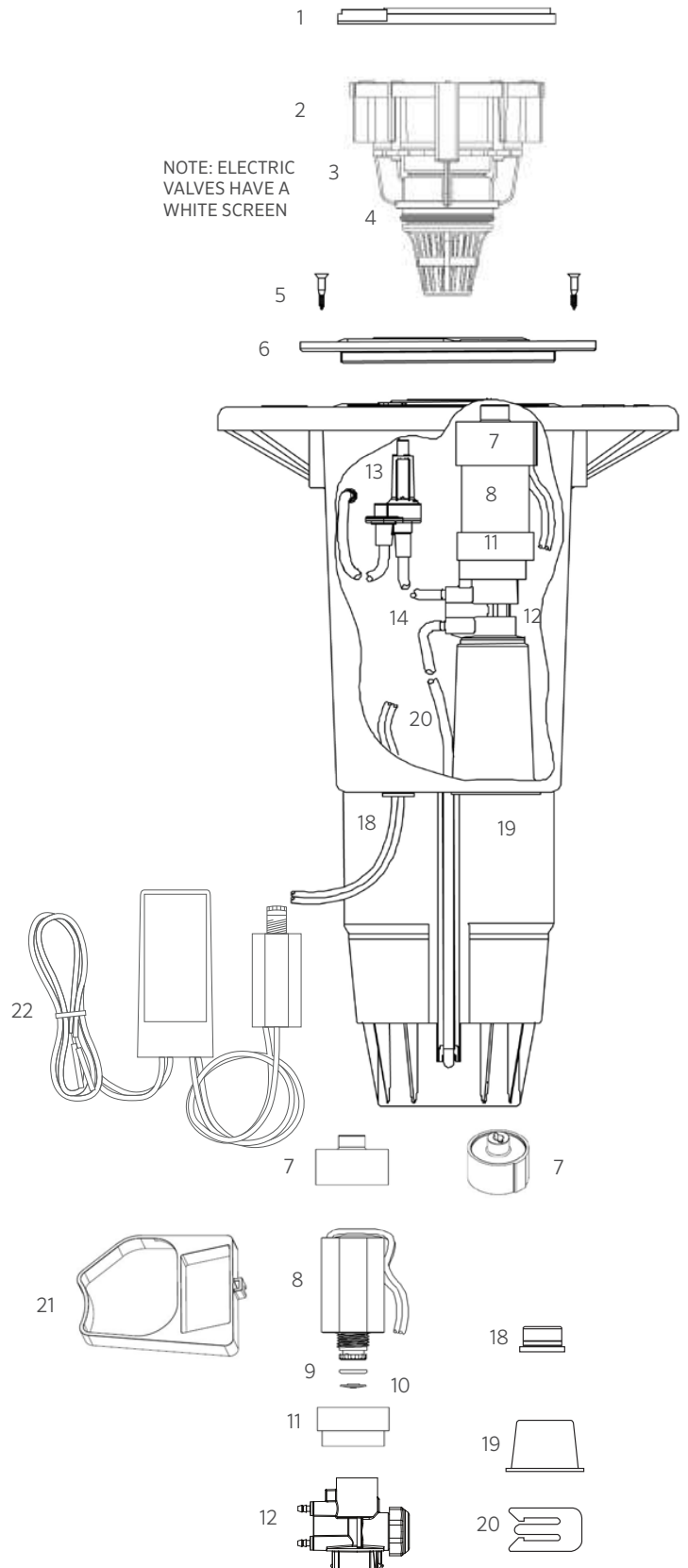
ITEM	DESCRIPTION	MODEL
1	Rubber Logo Cap (Black)	402710
2	Screw - Nozzle Retainer	053143
3	Support - Riser Seal Upper	349100
4	Seal - Riser	348900
5	Support - Riser Seal Lower	052383
6	Spring - Riser Retraction	348700
7	Bumper - Riser	405700
8	Riser Assembly - Includes: Items 1 - 12 Plus 403400 Snap Ring	474210SP
9	Plate - Stator Adjustment	439600
10	Screen - With Check Seal (Black)	422200
11	Check Seal	424800
12	Nozzle Pack	463210
13	Nozzle Assembly - Bag of 25	
	#15 - Gray	463213
	#18 - Red	463214
	#20 - Dark Brown	463215
	#23 - Dark Green	463216
	#25 - Dark Blue	463217
	#28 - Black	463218



G-900 SERIES GOLF ROTORS

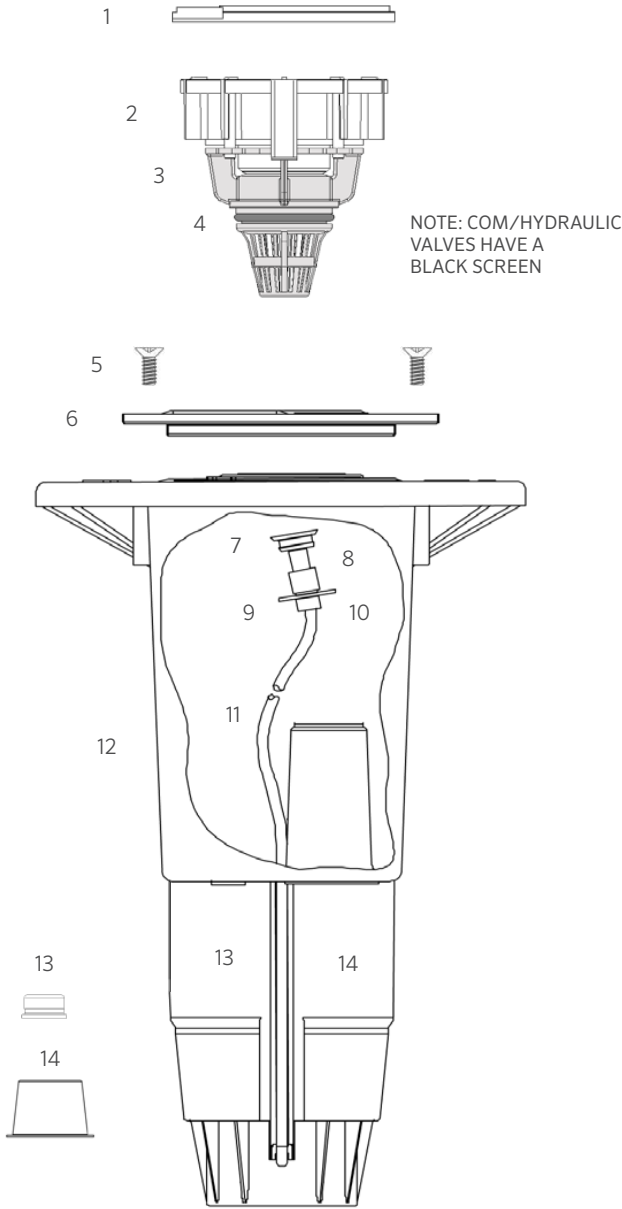
G-900-E/G-900-D/G-900-DD BODY ASSEMBLY: VALVE-IN-HEAD

ITEM	DESCRIPTION	MODEL
1	Snap Ring - Lower (White)	052830
2	Qty. 1, Inlet Valve Assembly - Electric VIH (White Screen)	643200SP
3	Screen And Valve Seat - White	643400
4	O-Ring - Inlet Valve to Body Seal	643500
5	Qty. 10, Screw - Flange Lid Retainer	351800SP
6	Lid - Flange Compartment - Electric Recessed Yardage Marker Area	493600
	Lid - Flange Compartment - Electric Raised Yardage Marker Area	493610
7	Qty. 5, Selector Cap and Detent Ring Kit (Gray)	461536SP
	Selector Cap - DIH (Yellow)	454200
	Selector Cap - DIH (Green)	454201
8	Qty. 1, Solenoid Kit - AC (Includes Items 6, 7, 8, 9, and 10)	461537SP
9	O-Ring - Solenoid Thread Seal	262600
10	Seal - Solenoid Plunger Seal	364405
11	Qty. 5, Selector Cap and Detent Ring Kit	461536SP
12	Qty. 1, Pilot Valve Kit (Tan)	461540SP
13	Qty. 1, Pressure Regulator Kit - Variable (50 to 120 PSI; 3.5 to 8.3 bar; 345 to 827 kPa)	674800SP
14	Control Tubing Kit - Includes: 24" (61 cm) of 1/8" Tubing, Connector, and Retainers (2)	461539
15	Tube Retainer - 1/8" Tubing (not shown)	476000
16	Connector - 1/8" x 1/8" Tubing (not shown)	494400
17	Body Assembly, Electric VIH - Includes: Tubing to Pilot Valve and Tubing to Regulator Plus Items 14, 15, and 16 (Does Not Include Pilot Valve or Pressure Regulator)	674600
18	Cap, Protective - Solenoid Wires	643900
19	Cap, Protective - Lower Compartment	474400
20	Restraint - Solenoid Wires	669300
21	Brace - DIH Decoder Support (Yellow)	526700
22	DIH-100 1-Station Decoder/Solenoid Assembly	353600
	DIH-200 2-Station Decoder/Solenoid Assembly	686500



G-900-C BODY ASSEMBLY: CHECK-O-MATIC

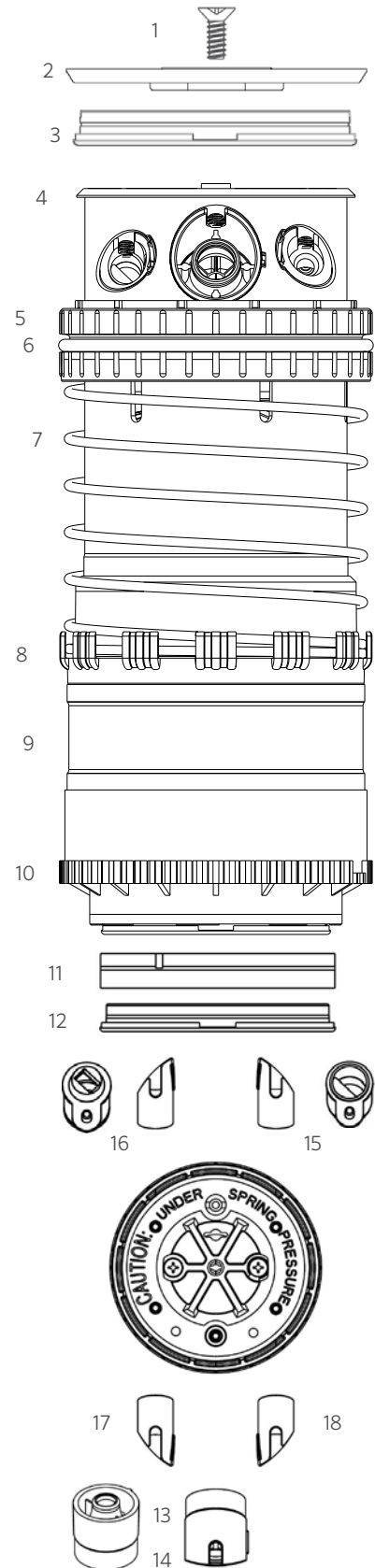
ITEM	DESCRIPTION	MODEL
1	Snap Ring - Lower (White)	052830
2	Qty. 1, Inlet Valve Assembly - COM and Normally Open Hydraulic (Black Screen)	672500SP
3	Screen And Valve Seat - Black	643405
4	O-Ring - Inlet Valve to Body Seal	643500
5	Qty. 10, Screw - Flange Lid Retainer	351800SP
6	Lid - Flange Compartment - COM Recessed Yardage Marker Area	493605
	Lid - Flange Compartment - COM Raised Yardage Marker Area	493615
7	Vent Cap - Valve Air Bleed	456600
8	Tube Retainer - ¼" Tubing	056210
9	Connector - ¼" x ⅛" Tubing (not shown)	402100
10	Tube Retainer - ⅛" Tubing	476000
11	Control Tubing Kit - Includes: 24" (61 cm) of ⅛" Tubing, Connector and Retainers (2)	461539
12	Body Assembly, COM, and Normally Open Hydraulic - Includes: Items 6 - 13	674700
13	Cap, Protective - Solenoid Wire Hole	643900
14	Cap, Protective - Lower Compartment	474400



G-995 RISER ASSEMBLY: ADJUSTABLE ARC CONFIGURATION

ITEM	DESCRIPTION	MODEL
1	Screw - Logo Cap Retainer	351800
2	Rubber Logo Cap (Black)	664100
	Rubber Logo Cap (Purple) - Applications: Reclaimed Water Sites	664105
3	Snap Ring Assembly (Black)	430700
4	Screw - Nozzle Retainer (5 Required)	333900
5	Seal Block*	171700*
6	O-Ring - Seal*	171600*
7	Spring - Riser Retraction*	171900*
8	Face Seal - Black*	406000*
9	Bumper - Gray*	171800*
10	Riser Assembly - Includes: Items 3 - 13, 15, 16	463004SP
11	Plate - Stator Adjustment	052833
12	Screen - Riser Inlet	052868
13	Qty. 5, Nozzle Pack - Primary Nozzles, #25-#73	461204SP
14	Primary Nozzles - Bag of 25	
	#25 - Light Blue	460011
	#33 - Gray	464363
	#38 - Red	464364
	#43 - Dark Brown	464365
	#48 - Dark Green	464366
	#53 - Dark Blue	464367
	#63 - Black	464368
	#73 - Orange	460012
	Low-Angle Nozzles - Bag of 25	
	#25 - Light Blue/Black	791500
	#33 - Gray/Black	791600
	#38 - Red/Black	791800
	#43 - Dark Brown/Black	791900
	#48 - Dark Green/Black	792000
	#53 - Dark Blue/Black	792100
	#63 - Black/Black	792200
	#73 - Orange/Black	792300
15	Nozzle - Short-Range (5/11 and Prior) Left Side, Black	439100
	Nozzle - Short-Range (6/11 and After) Left Side, Red	191800
16	Nozzle - Mid-Range (5/11 and Prior) Right Side, Green	439000
	Nozzle - Mid-Range (6/11 and After) Right Side, Green	195701
17	Plug - Nozzle (6/11 and After) Left Black	195803
18	Plug - Nozzle (6/11 and After) Right Black	195703

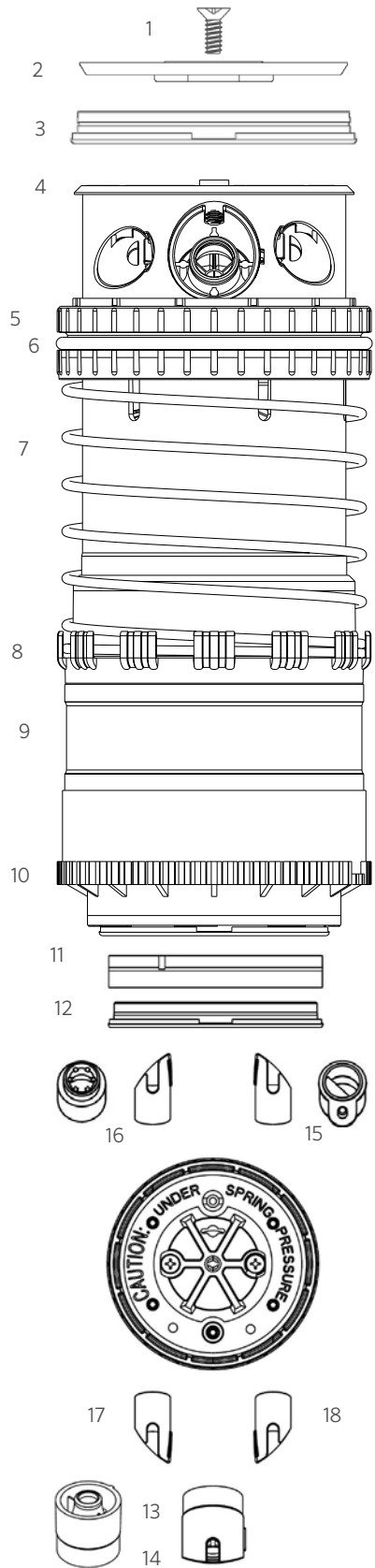
* Items 5, 6, 7, 8, and 9 must all be replaced when changing any riser seal part on risers date coded 1208 (December 2008) and prior



G-990 RISER ASSEMBLY: FULL-CIRCLE CONFIGURATION

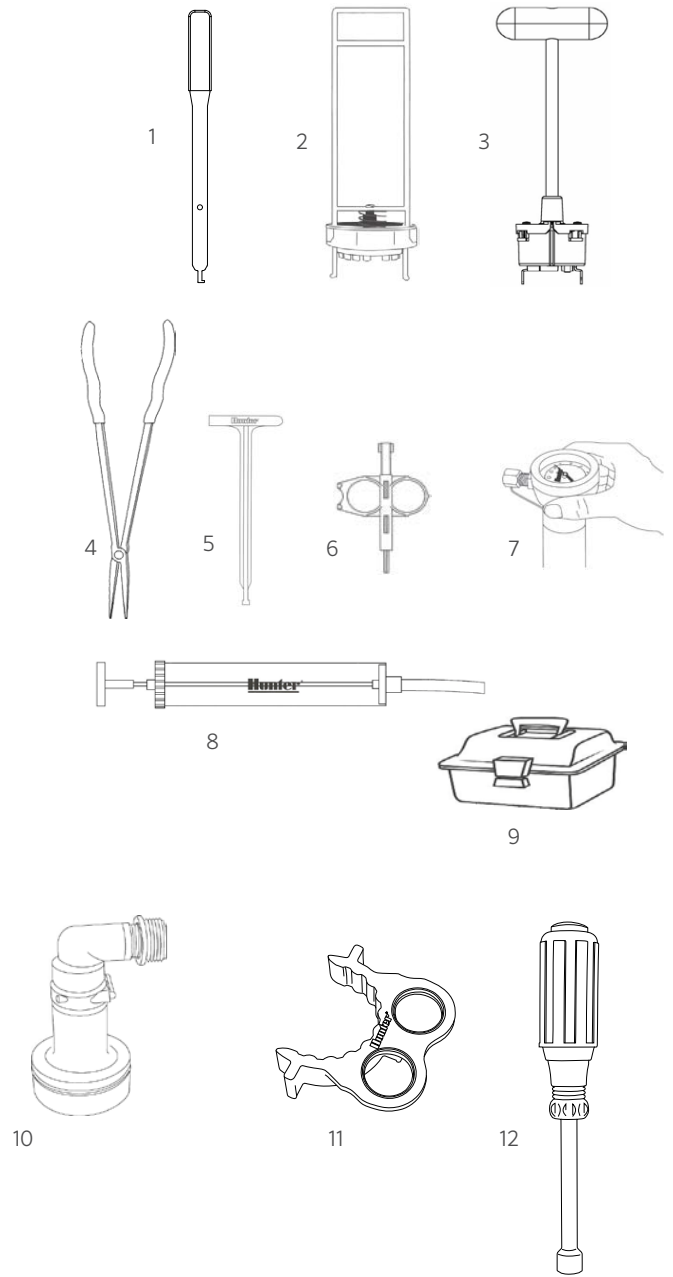
ITEM	DESCRIPTION	MODEL
1	Screw - Logo Cap Retainer	351800
2	Rubber Logo Cap (Black)	664000
	Rubber Logo Cap (Purple) - Applications: Reclaimed Water Sites	664005
3	Snap Ring Assembly (Black)	430700
4	Screw - Nozzle Retainer (5 Required)	333900
5	Seal Block*	171700*
6	O-Ring - Seal*	171600*
7	Spring - Riser Retraction*	171900*
8	Face Seal - Black*	406000*
9	Bumper - Gray*	171800*
10	Riser Assembly - Includes: Items 3 - 13, 15, 16	463002SP
11	Plate - Stator Adjustment	052833
12	Screen - Riser Inlet	052868
13	Qty. 5, Nozzle Pack - Primary Nozzles, #25-#73	461204SP
14	Primary Nozzles - Bag of 25	
	#25 - Light Blue	460011
	#33 - Gray	464363
	#38 - Red	464364
	#43 - Dark Brown	464365
	#48 - Dark Green	464366
	#53 - Dark Blue	464367
	#63 - Black	464368
	#73 - Orange	460012
	Low-Angle Nozzles - Bag of 25	
	#25 - Light Blue/Black	791500
	#33 - Gray/Black	791600
	#38 - Red/Black	791800
	#43 - Dark Brown/Black	791900
	#48 - Dark Green/Black	792000
	#53 - Dark Blue/Black	792100
	#63 - Black/Black	792200
	#73 - Orange/Black	792300
15	Nozzle - Short-Range (5/11 and Prior) Left Side, Black	439100
	Nozzle - Short-Range (6/11 and After) Left Side, Red	191800
16	Nozzle - Mid-Range (5/11 and Prior) Right Side, Blue	455400
	Nozzle - Mid-Range (6/11 and After) Right Side, Blue	195704
17	Plug - Nozzle (6/11 and After) Left Blk	195803
18	Plug - Nozzle (6/11 and After) Right Blk	195703

* Items 5, 6, 7, 8, and 9 must all be replaced when changing any riser seal part on risers date coded 1208 (December 2008) and prior



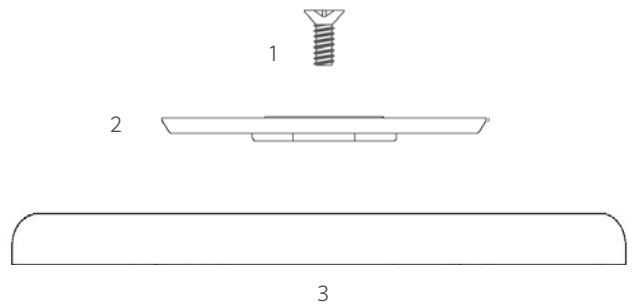
TOOLS AND ACCESSORIES: GOLF ROTORS

ITEM	DESCRIPTION	MODEL
1	Qty. 1, Tool, Snap Ring Removal	251000SP
2	Valve Insertion/Removal Tool - G-90 and G-900 Series	280500SP
3	Valve Insertion/Removal Tool - G-800 Series	604000SP
4	Valve and Snap Ring Pliers - G-800 Series	475600SP
5	T-Handle Tool - VIH Selector, Nozzle Insertion, Riser Lift-Up and Arc Adjustment	319100SP
6	Qty. 100, Hunter Wrench	172000SP
7	Rotor Pitot Gauge and Tube Assembly	280100SP
8	Hand Pump - Water Extraction	460302SP
9	Golf Rotor Tool Kit - Includes Items 1, 4, 5, 6, 7, 8, 9, 10, 13, and Plus Toolbox and Screwdriver	475700SP
10	Hose Adapter and Swivel - G-90 Series "C", "H" and "E"	G90HS100
	Hose Adapter and Swivel - G-800 Series "C", "H" and "E"	G800HS100
11	Arc Adjustment/Riser Hold-Up - G-85-B and G-885	382800SP
12	Nozzle Removal/Installation - G-85-B and G-885 Short/Mid-Range Nozzles	803700SP



G-900 SERIES RUBBER COVER KITS

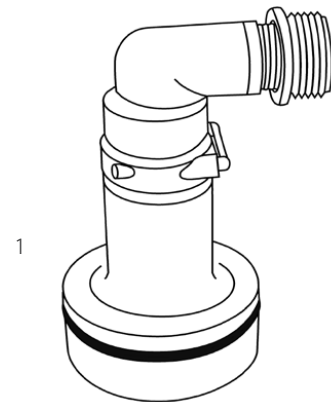
ITEM	DESCRIPTION	MODEL
1	Screw - Cap Retainer - All	351800
2	Logo Cap - G-90 and G-990 - Date Codes 06/11 and Prior Only	103100
	Logo Cap - G-95 and G-995 - Also G-990 Date Codes 07/11 and After	103300
3	Ring - Flange Cover - G-990 and G-995	102400
4	Kit - G-990 Rubber Cover - Includes Items 1, 2, and 3 - Date Codes 06/11 and Prior Only	473800
	Kit - G-995 Rubber Cover - Includes Items 1, 2, and 3 - Also G-990 Date Codes 07/11 and After	473900SP



HOSE SWIVEL ADAPTERS

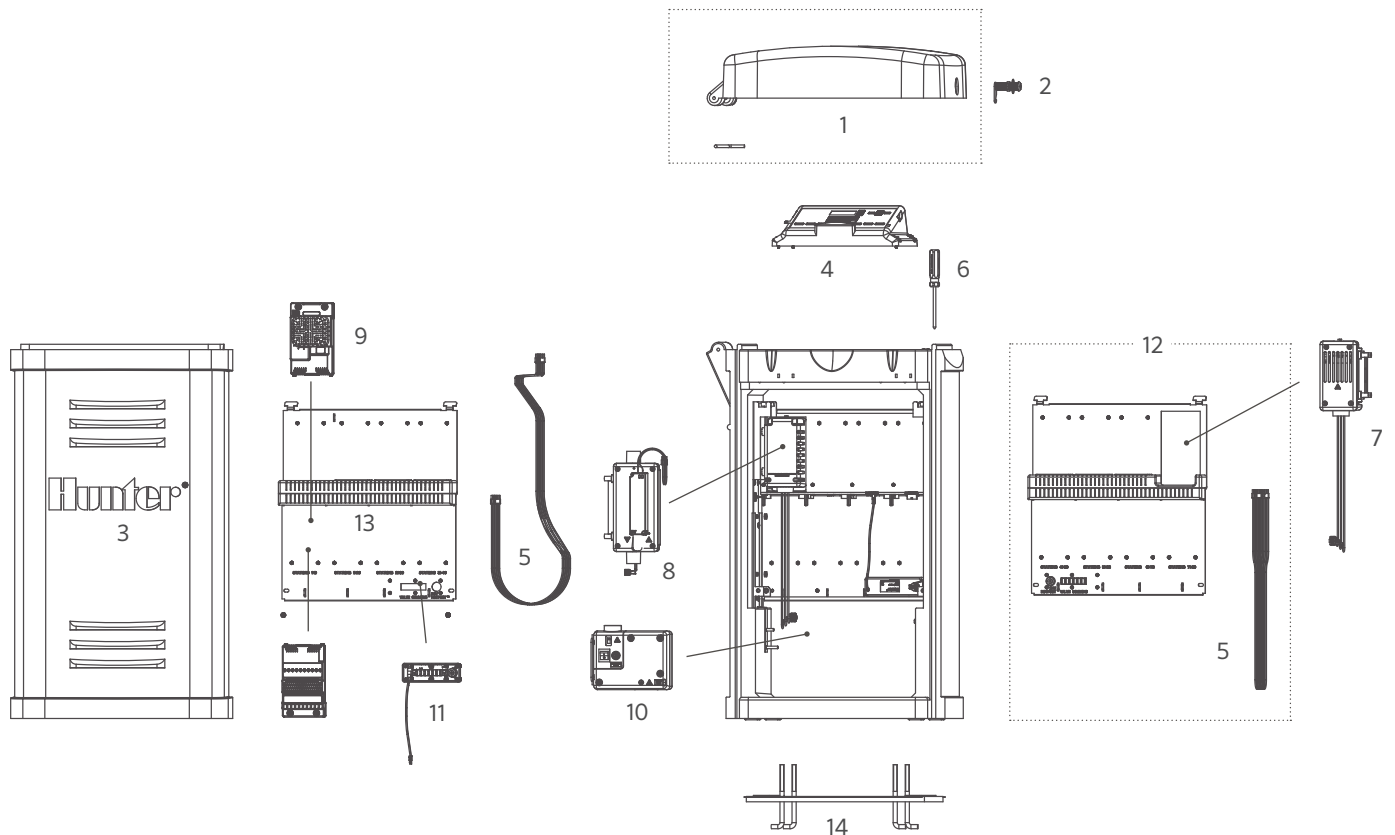
G-90/G-900 SERIES RUBBER COVER KITS

ITEM	DESCRIPTION	MODEL
1	O-Ring for G90HS100	549500
	O-Ring for G800HS100	549400



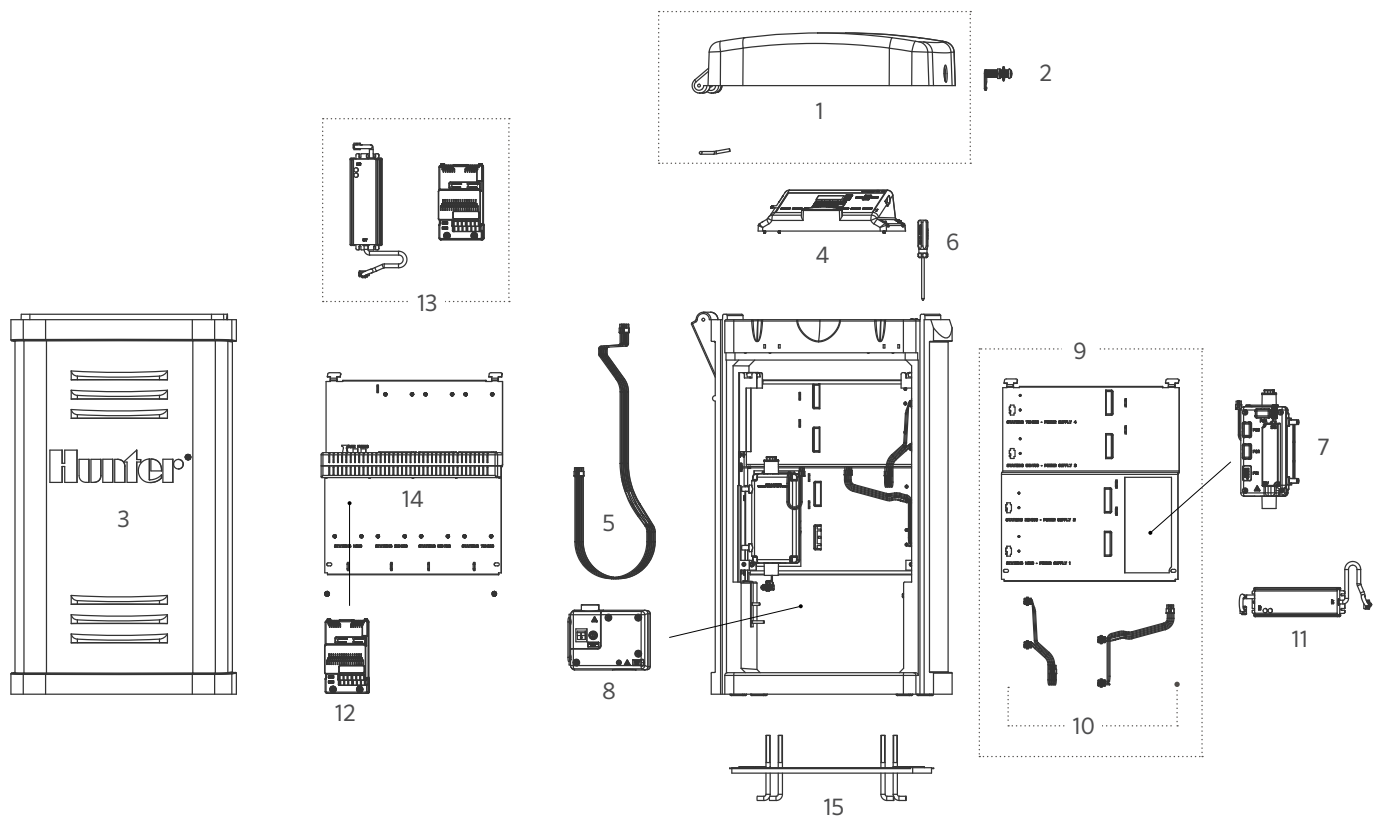
PILOT-FC PARTS

ITEM	DESCRIPTION	MODEL
1	Lid Kit with Hinge and Lock	PILOTLIDKIT
2	Lid Lock and Keys	558000
3	Door with Screens and Envelope	PILOTDOORKT
4	FC Facepack	PILOTFPFC
5	FP or Backplane Cable Harness (Black/White)	527300
6	Screwdriver	801300
7	Transformer Assembly (Main)	356100
8	DC Power Supply Assembly (FC)	512700
9	Power Module Assembly (FC)	PILOTPWR
10	Junction Box Including Switch	427700
11	Terminal Block Assembly	412000
12	Backplane Kit Including 527300 Cable	PILOTFCBP
13	Front Plane Kit/Midplane Assembly	411600
14	Template with Bolts	581700
15	10-Station Output Module	PILOTFC010



PILOT-DH PARTS

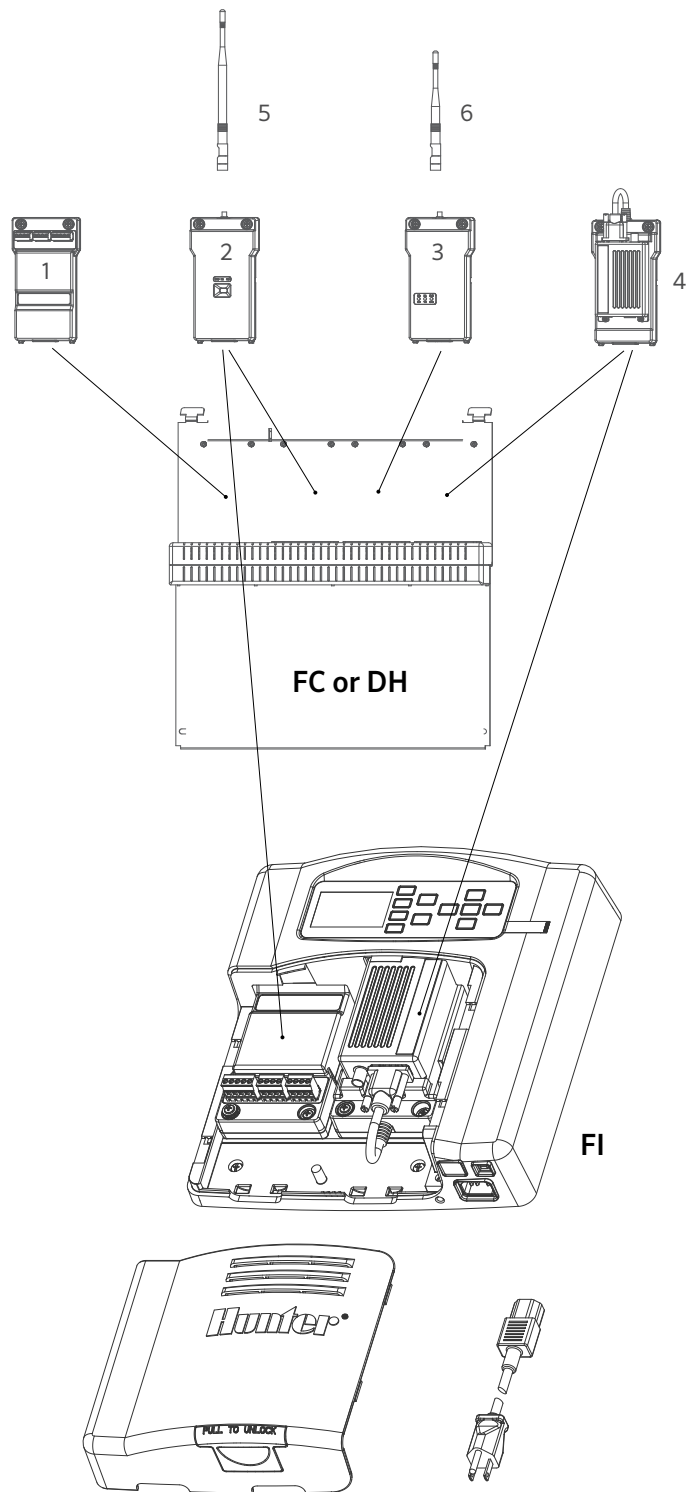
ITEM	DESCRIPTION	MODEL
1	Lid Kit with Hinge and Lock	PILOTLIDKIT
2	Lid Lock and Keys	558000
3	Door with Screens and Envelope	PILOTDOORKIT
4	DH Facepack	PILOTFPDH
5	FP or Backplane Cable Harness (Black/White)	527300
6	Screwdriver	801300
7	DC Power Supply Assembly (DH)	512701
8	Junction Box Includes Switch (DH)	427701
9	Backplane Kit DH Including 2 Y-Cables	795900
10	Backplane Y Cable Harness (Black/White/Yellow)	815300
11	Pilot-DH Module Power Supply	805500
12	Pilot-DH Module, Only	PILOTDH250
13	Pilot-DH 250-Station Expansion Kit (Module and Power Supply)	PILOTDH250EXP
14	Front Plane Kit DH (No Harness) Midplane Assembly, Screws	411601
15	Pedestal Mounting Template with Bolts	581700



COMMUNICATION PARTS FOR PILOT-FC, -DH, AND -FI

ITEM	DESCRIPTION	MODEL
1	Hardwire COM Module	PILOTHWR
2	915 MHz Spread Spectrum	PILOTFILF
3	2.4 GHz Spread Spectrum (Obsolete)	PILOTFIILF (INTL)
4	Radio COM Module	PILOTMODUHF
4	Radio COM Module (Australia Only)	PILOTMODUHFA
5	915 MHz Replacement Antenna	806100
6	2.4 GHz Replacement Antenna (Obsolete)	806101
NS	Lid Antenna for Pedestal, UHF	IMMSANT2
NS	Antenna for Wall or Pole Mount, UHF	IMMSANT3
NS	Directional Antenna for Pole Mount, UHF	IMMSANTYAGI3
NS	High-Gain Omnidirectional Mast Antenna	RA5M

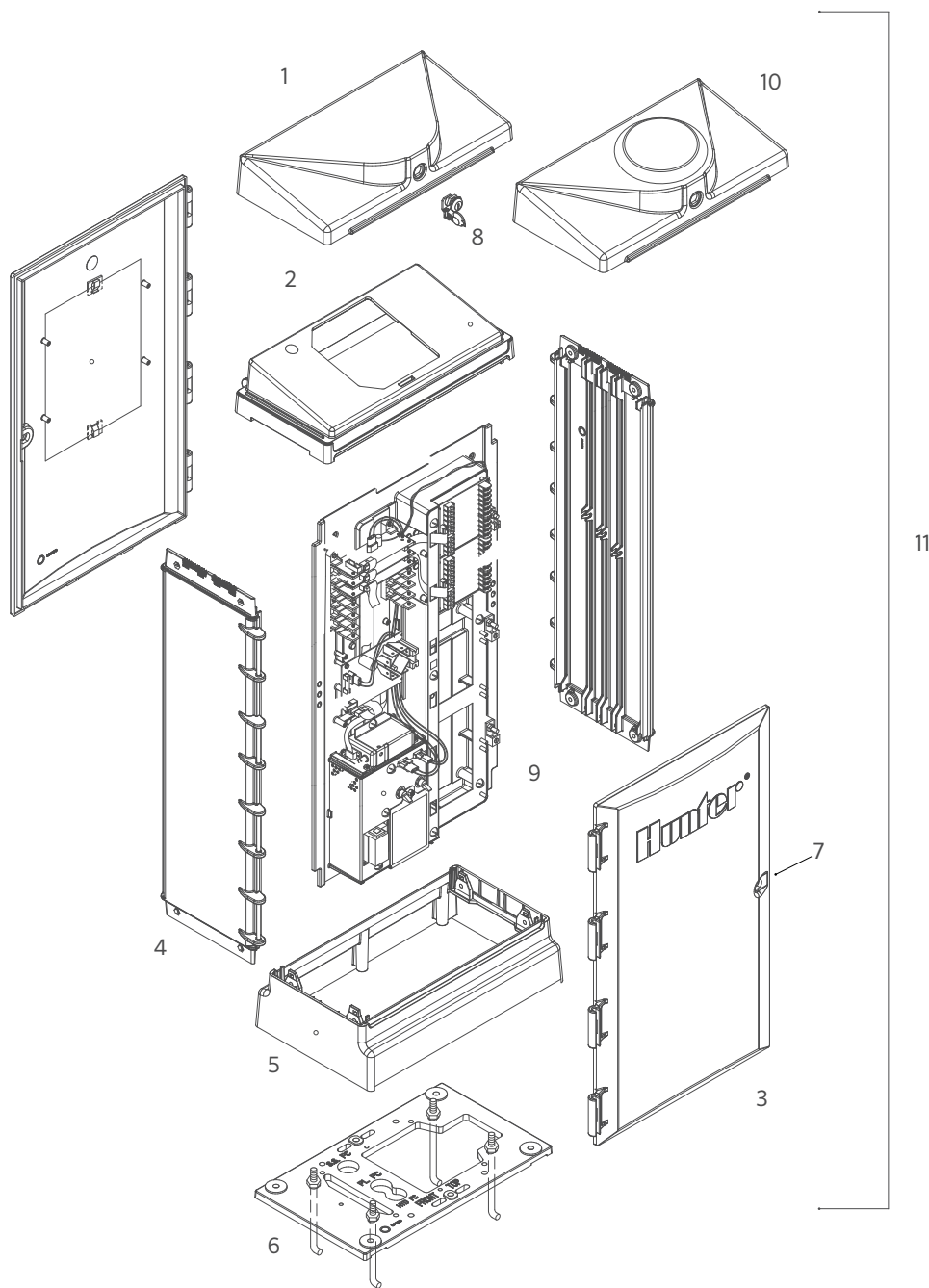
NS = Not Shown; Image on the following page



GFCP & VFCP (FOR ALL CONVENTIONAL AND DECODER CONFIGURATIONS)

ITEM	DESCRIPTION	MODEL
1	Lid Kit	FCPLKT
2	Cap Kit	FCPCKT
3	Door Kit	FCPDKT
4	Side Kit	FCPSKT
5	Base Kit	FCPBKT
6	Template Kit	TEMPLT2
7	Lock Assembly, Door	FCPDLKT
8	Lock Assembly, Lid	FCPLLKT
9	Plastic Backplane for Mounting Electronic Components	BACKPLANEKT
10	Radio Lid Assembly (Includes Antenna)	FCPLRKT
11	Complete Plastic Pedestal (Flat Top)	PEDP1

Image on the following page



CONTROLLERS

CONVENTIONAL CONTROLLER COMPONENTS (JANUARY 1998 - PRESENT)

ITEM	DESCRIPTION	MODEL
1	VSX Keypad Facepack Kit	VFCKTFP
2	Genesis Keypad Facepack Kit	GFCKTFP
3	Power Supply Board Kit	GFCKTPSB1
4	Triac Board	TB10
5	10-Station Lightning Protection/Output Board	LPB10
4-5	10-Station Expansion Kit includes TB10 and LPB10	GFCKTEXP10
6	PSB1 Power Cable Assembly	516140
7	Communications Board Wire Harness	516141
8	Adapter Cable - Communication Board	516237

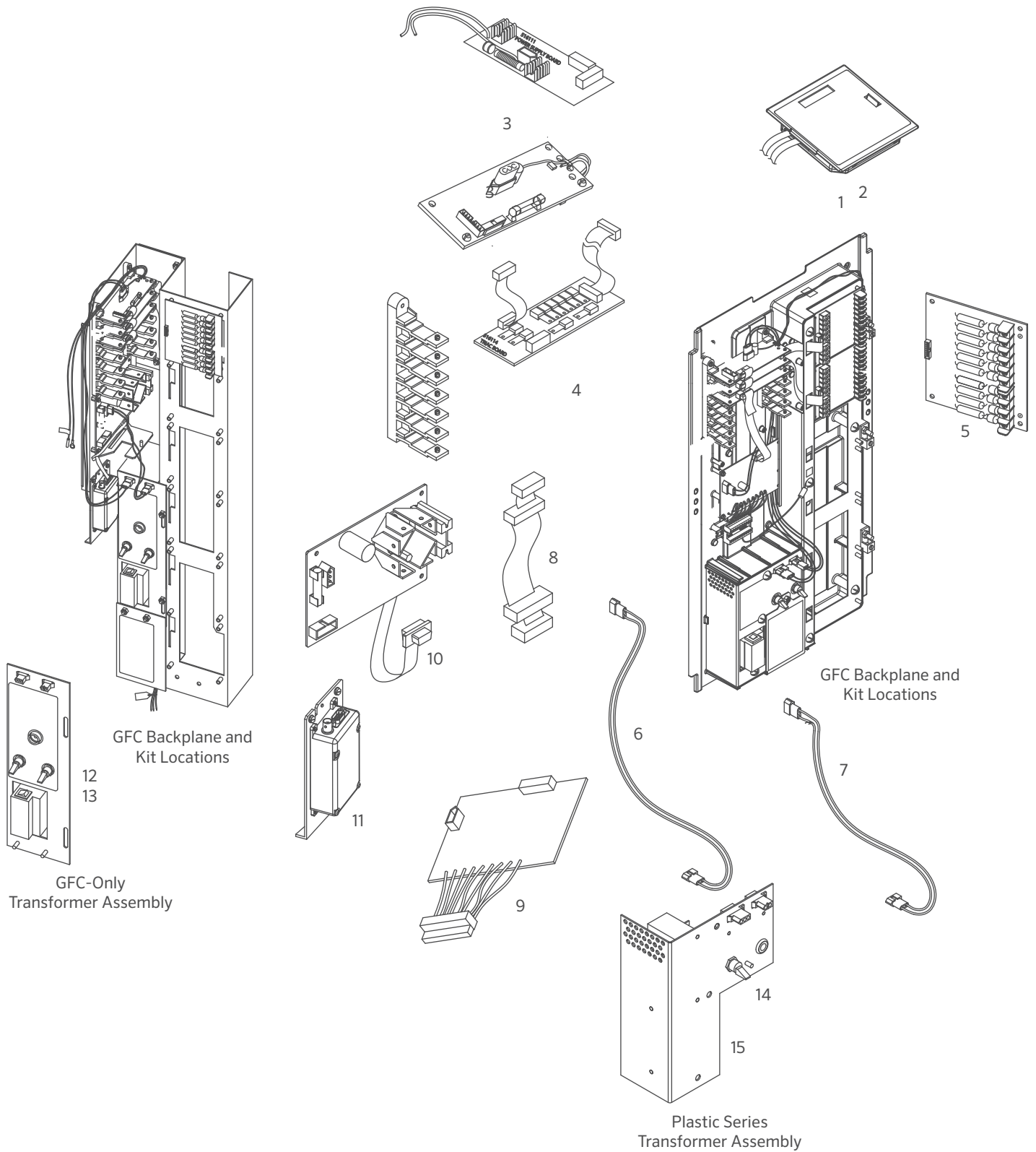
COMMUNICATION MODULES

ITEM	DESCRIPTION	MODEL
9	Hardwire Replacement Communications Board	GFCKTCBHW
10	Radio Replacement Communications Board (New RADIO2KT Only)	GFCKTCBR2
NS	Remote Stealth Antenna Mount (Includes Antenna)	RASREM
11	Radio Module, Synthesized	RADIO2KT

TRANSFORMER OPTIONS

ITEM	DESCRIPTION	MODEL
12	Transformer Kit, 110 VAC (GFC Series Only)	GFCKTTFR1
13	Transformer Kit, 220 VAC (GFC Series Only)	GFCKTTFR1SV
14	Transformer Kit, 110 VAC (Plastic Controllers)	FCPKTTFR2
15	Transformer Kit, 220 VAC (Plastic Controllers)	FCPKTTFR2SV

NS = Not Shown; Image on the following page



CONTROLLERS

DECODER CONTROLLER COMPONENTS (JANUARY 1998 - PRESENT)

ITEM	DESCRIPTION	MODEL
1	VSX Keypad Facepack Kit	VFCKTFP
2	Genesis Keypad Facepack Kit	GFCKTFP
3	Decoder Power Supply Board Kit	VKTPSB2
4	Decoder Lightning/Output Board	VLPTKT
5	Decoder CPU Board	VCPUKT
6	Decoder Transmitter Board	VTRNSKT
7	RJ45 Cable	516238
8	Power Supply Board Wire Harness	516140
9	Adapter Cable - Communication Board	516237
17	Transmitter Cable	516143
18	Communications Board Wire Harness	516141

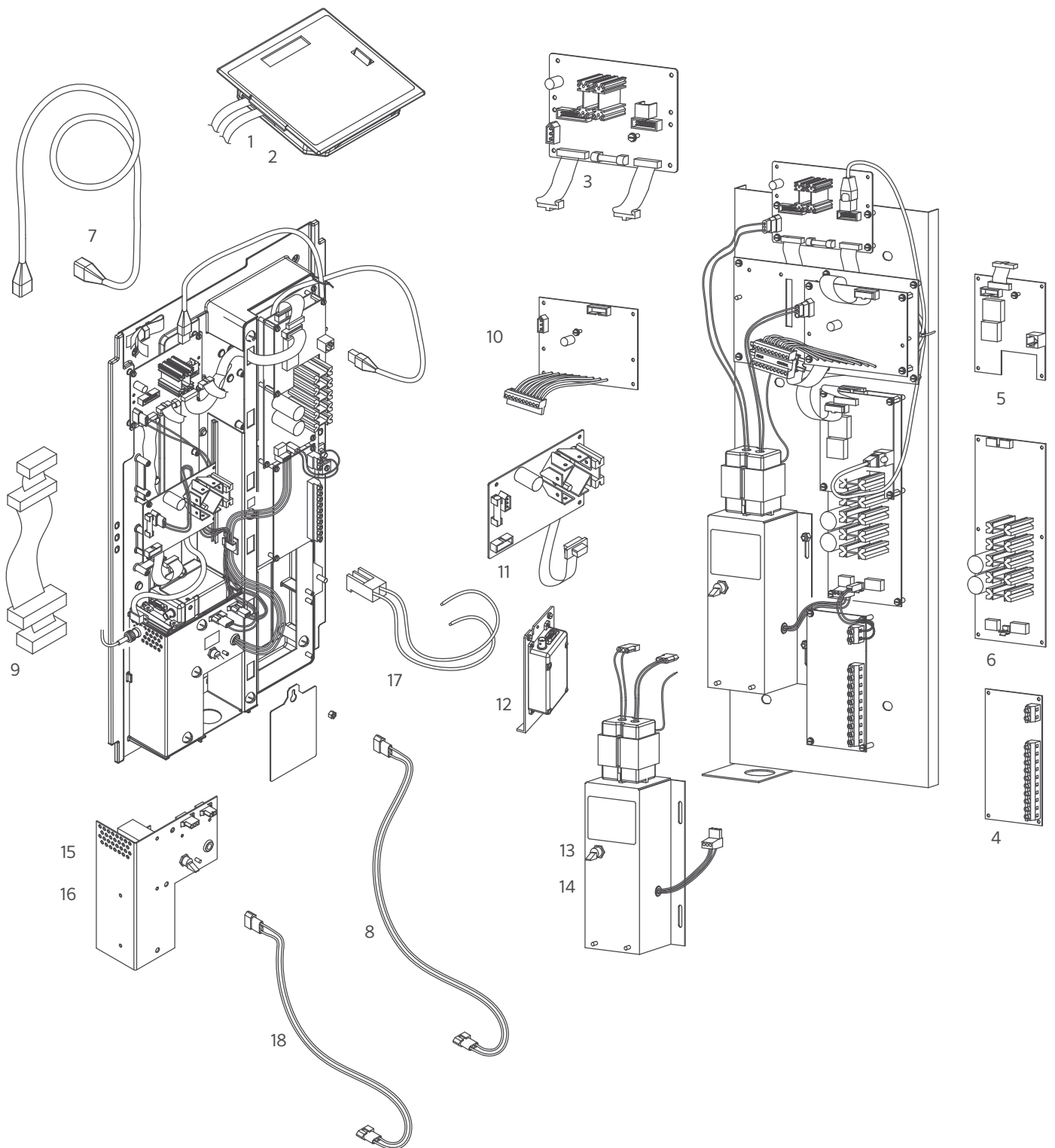
COMMUNICATION MODULES

ITEM	DESCRIPTION	MODEL
10	Hardwire Replacement Communications Board	GFCKTCBHW
11	Radio Replacement Communications Board (New RADIO2KT Only)	GFCKTCBR2
NS	Remote Stealth Antenna Mount (Includes Antenna)	RASREM
12	Radio Module, Synthesized	RADIO2KT

TRANSFORMER OPTIONS

ITEM	DESCRIPTION	MODEL
13	Decoder Transformer Kit, 110 VAC (GFC Series Only)	GVKTTFR1
14	Decoder Transformer Kit, 220 VAC (GFC Series Only)	GVKTTFR1SV
15	Decoder Transformer Kit, 110 VAC (Plastic Controllers)	FCPVKTTFR2
16	Decoder Transformer Kit, 220 VAC (Plastic Controllers)	FCPVKTTFR2SV

NS = Not Shown; Image on the following page



CONTROLLERS

TRISEND CENTRAL COMPONENTS

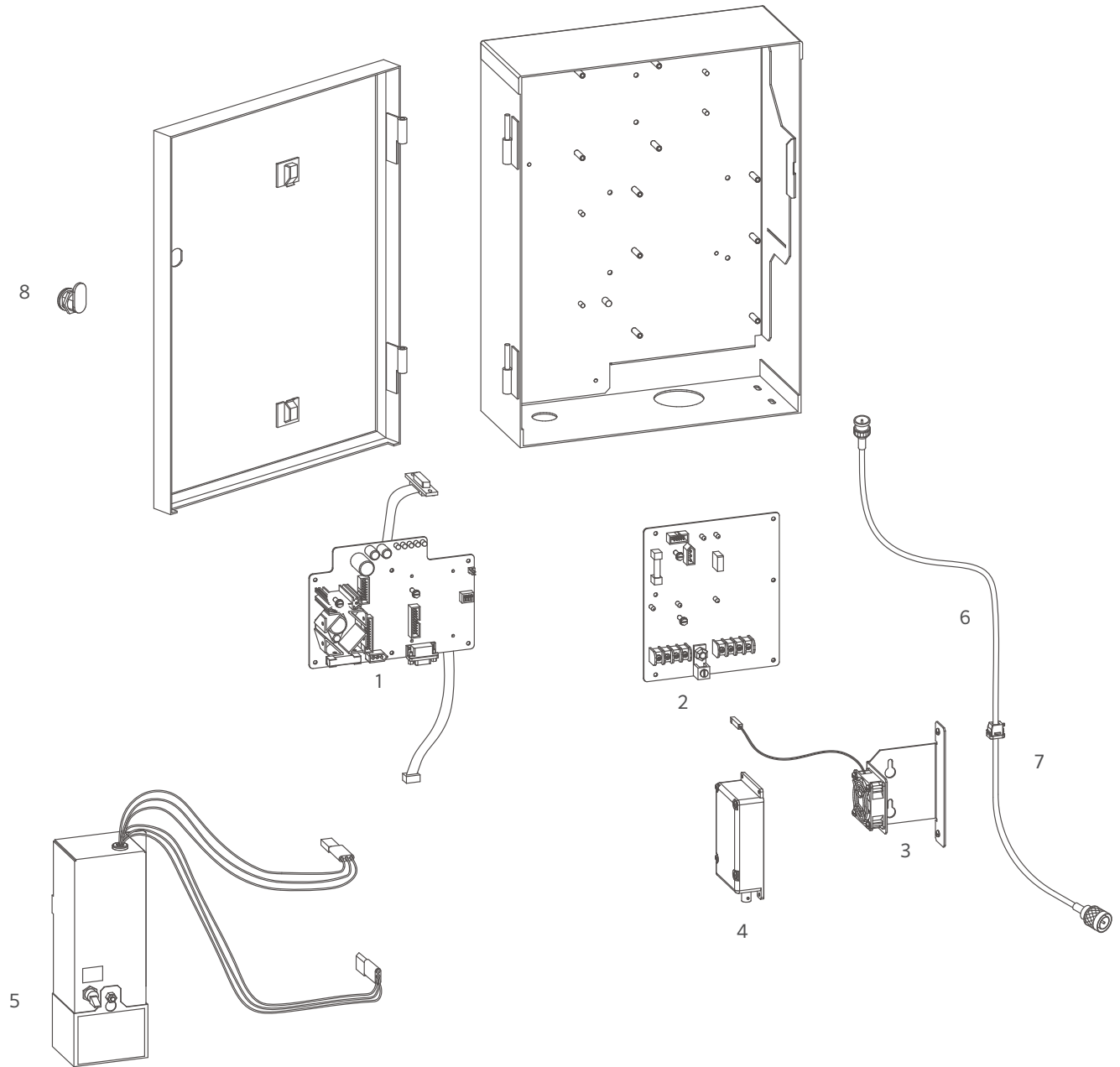
ITEM	DESCRIPTION	MODEL
1	TriSend Central Radio/CPU Board	TRIKTRB
2	TriSend Central Hardwire Board	TRIKTHWB
3, 6, 7	Radio Bracket Assembly with Fan	TRIRADKTNR
4	Radio Module (Specify Frequency)	RADIO2KT
5	Transformer Kit, 110 VAC	TRIKTTFR
5	Transformer Kit, 220 VAC	TRIKTTFRSV
6	Radio Antenna Cable Extension	516090
7	Strain Relief Bushing	504461
8	Lock Assembly, Door	387300

Note: All kits include any necessary mounting hardware

UPGRADE KIT

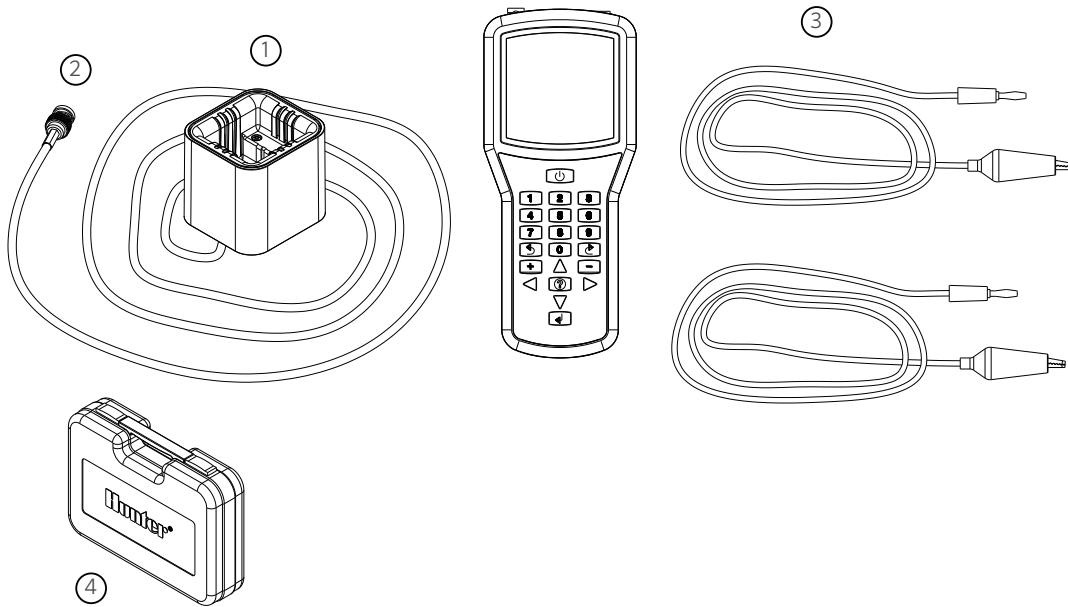
ITEM	DESCRIPTION	MODEL
3, 4, 6, 7	Radio Module Kit. Includes Bracket/Fan Assembly and Radio, for Retrofit to NR Versions. Specify Frequency when Ordering Radio Module Kit.	TRIRADKT

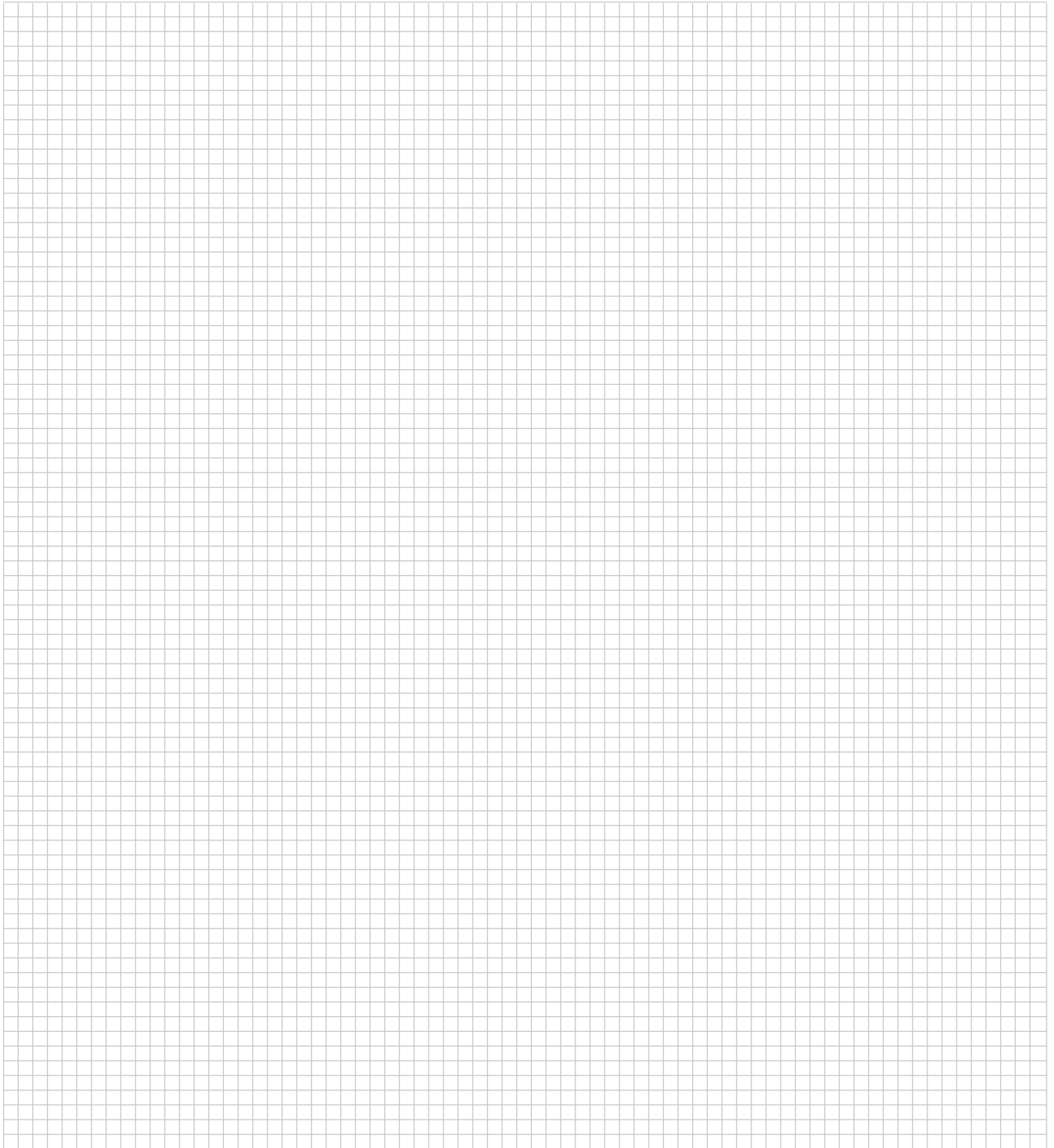
Image on the following page



ICD-HP COMPONENTS

ITEM	DESCRIPTION	MODEL
1	Programming Cup	177600
2	Programming Cable 6' (2 m) with Connectors	180504
3	Red and Blue 6' (2 m) Leads	180508
4	Carrying Case	205800





WARRANTY

Hunter Golf and ST System Irrigation Component* Warranty Products

Hunter will unconditionally repair, replace, or repurchase, at its sole discretion, any defective component* assemblies contained within the Golf and ST products listed below by category, returned freight prepaid, from the date of manufacture within a period of:

ONE YEAR	GOLF CONTROLLERS	Pilot Command Center Software, Pilot-FC, Pilot-FI, Pilot Hub
THREE YEARS	GOLF ROTORS	TTS-800 Series, G-800 Series, G-900 Series, B-Series, RT Series
	GOLF DECODERS	Pilot 100, Pilot 200, Pilot 400, Pilot 600
FIVE YEARS	GOLF ROTORS	The golf rotor component warranty is extended to 5 years with a one-for-one purchase of an HSJ Swing Joint from an authorized Hunter Golf distributor.
	SWING JOINTS	HSJ-0, HSJ-1, HSJ-2, HSJ-3
	ST ROTORS	ST-90, STG-900, ST-1200, ST-1600, ST-1700
	ST ACCESSORIES	All model “numbers” starting with “ST”
	COMPUTER, PRINTERS AND ACCESSORIES, MAINTENANCE RADIO AND BATTERY	Equipment manufacturer’s warranty (no Hunter warranty)

* Warranty covers repair, replacement, or repurchase of individual defective component assemblies contained within the product. Returns of complete finished goods are not allowed under warranty without prior approval from the Hunter Product Manager.

If used for agricultural applications, Hunter limits the warranty for its spray, rotator, and rotor products to a period of one (1) year from the original date of manufacture. This agriculture limitation supersedes all other warranties expressed or implied.

If a defect in a Hunter product is discovered during the applicable warranty period, Hunter will repair or replace, at its option, the product or the defective part. This warranty does not extend to repairs, adjustments, or replacement of a Hunter product or part that results from misuse, negligence, alteration, modification, tampering, or improper installation and/or maintenance of the product. This warranty extends only to the original installer of the Hunter product. If a defect arises in a Hunter product during the warranty period, contact your local Hunter Authorized Distributor.

Hunter’s warranty applies only to products installed as specified and used as intended for irrigation purposes. Hunter’s warranty shall be limited to defects in materials and workmanship during the warranty period, and shall not extend to situations in which the product was subjected to improper design, installation, operation, maintenance, application, abuse, improper electrical current, grounding, service other than by Hunter authorised agents, operating conditions other than that for which it was designed, or in systems using water containing corrosive chemicals, electrolytes, sand, dirt, silt, rust, or agents that otherwise attack and degrade plastics. Hunter’s warranty does not cover component failures caused by lightning strikes, electrical power surges, or unconditioned power supplies. If products are repurchased, the price to Distributor for such products in effect at the time of return will apply.

Hunter’s obligation to repair, replace, or repurchase its products or product components as set forth above is the sole and exclusive warranty extended by Hunter. There are no other warranties, expressed or implied, including warranties of merchantability and warranties of fitness for a particular purpose. Hunter will not be liable to a distributor or to any other party in strict liability, tort, contract, or any other manner for any damages caused or claimed to be caused as a result of any design of or defect in Hunter’s products, or for any special, incidental, or consequential damages of any nature.

Where applicable, Hunter’s statement of warranty complies with local directives.

If you have questions concerning the warranty or its application, email support@hunterindustries.com.

Hunter[®] | *Built on Innovation*[®]

ASAE CERTIFICATION STATEMENT

Hunter Industries Incorporated certifies that pressure, flow rate, and radius data for these products were determined and listed in accordance with ASAE Standard S398.1, Procedure for Sprinkler Testing and Performance Reporting, and are representative of performance of production sprinklers at the time of publication. Actual product performance may differ from the published specifications due to normal manufacturing variations and sample selection. All other specifications are solely the recommendation of Hunter Industries Incorporated.



Hunter has been on the leading edge of golf course irrigation for more than three decades. We build performance, reliability, and serviceability into every product. From our industry-best rotors to our robust Pilot® irrigation control technology, we take pride in providing golf professionals with the tools and support they need to conceptualize, create, and manage world-class golf courses.

Learn more at hunterindustries.com/golf.

Gregory R. Hunter, CEO of Hunter Industries

Gene Smith, President, Landscape Irrigation and Outdoor Lighting

Website hunterindustries.com | **Customer Support** +1-800-383-4747 | **Technical Service** +1-833-HSN-GOLF

USA HEADQUARTERS

1940 Diamond Street
San Marcos, California 92078, USA
TEL: +1-760-744-5240

MEXICO

ISO 9001:2015 Certified
Calle Nordika #8615
Parque Industrial Nordika
Tijuana, B.C., Mexico CP 22640
TEL: +52 664-903-1300

EUROPE

Avenida Diagonal 523, 5o-2a
Edificio Atalaya
08029 Barcelona, Spain
TEL: +34 934-948-881

AUSTRALIA

Suite 7, 202 Ferntree Gully Road
Notting Hill, Melbourne
Victoria 3168, Australia
TEL: +61 3 9562-9918
FAX: +61 3 9558-6983

MIDDLE EAST

P.O. Box 2370
Amman, 11941, Jordan
TEL: +962 6-5152882
FAX: +962 6-5152992

CHINA

B1618, Huibin Office Bldg.
No. 8, Beichen Dong Street
Beijing 100101, China
TEL/FAX: +86 10-84975146