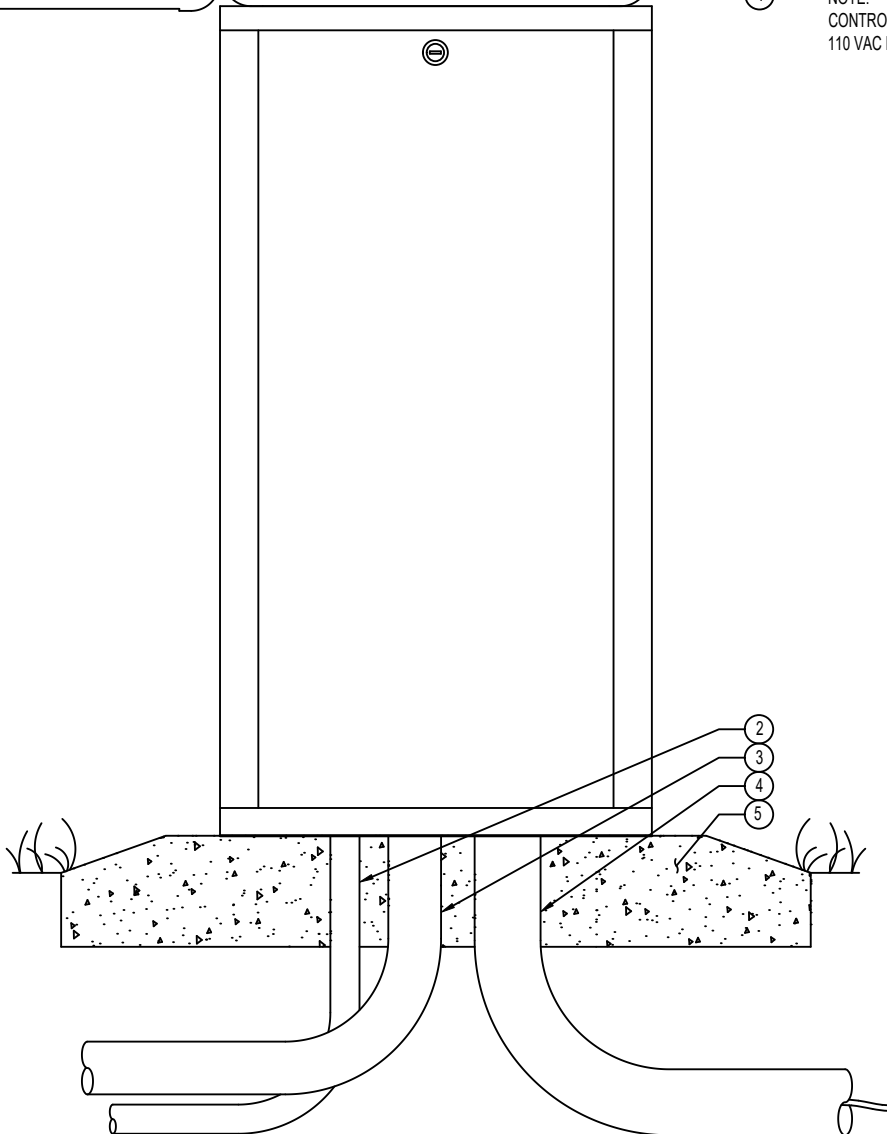


LEGEND:

- ① IRRIGATION CONTROLLER (ACC2-PED) PER PLAN
- ② ELECTRICAL SUPPLY CONDUIT
CONNECT TO POWER SOURCE, J-BOX INSIDE CONTROLLER
- ③ GROUND WIRE CONDUIT
GROUND PER ASIC GUIDELINES
- ④ IRRIGATION CONTROL WIRE IN CONDUIT
SIZE AND TYPE PER LOCAL CODES
- ⑤ PEDESTAL BASE PER PLAN
INSURE POSITIVE DRAINAGE AWAY FROM PEDESTAL

NOTE:
CONTROLLER SHALL BE HARD-WIRED TO GROUNDED
110 VAC POWER SOURCE



IRRIGATION CONTROLLER (ACC2-PED)